

Differential pressure gauge with pressure switch

For ventilation and air-conditioning

Model A2G-90

WIKA data sheet PV 27.40



For further approvals,
see page 2

Applications

- For monitoring the differential pressure of air and other non-flammable and non-aggressive gases
- Monitoring of air filters, blowers, industrial cooling circuits and flows in ventilation ducts

Special features

- Compact indication instrument and pressure switch fitted within a plastic case
- Single-pin microswitch (change-over contact)
- Switch point adjustable when installed
- All connections already preassembled



Differential pressure gauge with pressure switch,
model A2G-90

Description

The model A2G-90 differential pressure gauge with pressure switch is a combination of the model A2G-05 differential pressure gauge Eco and the model A2G-40 differential pressure switch, which have been fitted within a compact plastic case.

The case is made from plastic (PC) and with all connections built in. The cover is screwed on. All versions have an ingress protection of IP65 (per IEC/EN 60529).

The A2G-90 is ideally suited wherever an analogue indication (e.g. for local control) and a switching output (e.g. for direct connection to a higher-level controller) are required.

Specifications

Basic information	
Case	Polycarbonate (PC), colour black
Window	Polycarbonate (PC)
Cover	Screwed
Ambient temperature range	-30 ... +80 °C [-22 ... +176 °F]
Medium temperature	-16 ... +50 °C [+3.2 ... +122 °F]
Ingress protection	IP65 per IEC/EN 60529
Dimensions (H x W x D)	200 x 150 x 106 mm [7.87 x 5.91 x 4.17 in]
Weight	1.05 kg [2.31 lb]

Measuring range / Accuracy / Process connection	
Measuring range	
Model A2G-05	0 ... 250 Pa to 0 ... 6,000 Pa
Model A2G-40	<ul style="list-style-type: none"> ■ 20 ... 200 Pa ■ 30 ... 300 Pa ■ 30 ... 500 Pa ■ 40 ... 600 Pa ■ 100 ... 1,500 Pa ■ 500 ... 4,500 Pa
Accuracy	
Model A2G-05	Class 3.0
Model A2G-40	Lowest limit: ±8 Pa (100 ... 1,500 Pa: ±20 Pa, 500 ... 4,500 Pa: ±100 Pa) Highest limit: ±15 %
Process connection	For hoses with inner diameter 4 ... 7 mm [0.16 ... 0.28 in] Lower mount
Electrical connection	Cable gland M16 x 1.5 Lower mount

Approvals

Logo	Description	Country
CE	EU declaration of conformity	European Union
	EMC Directive	
	RoHS directive	

Optional approvals

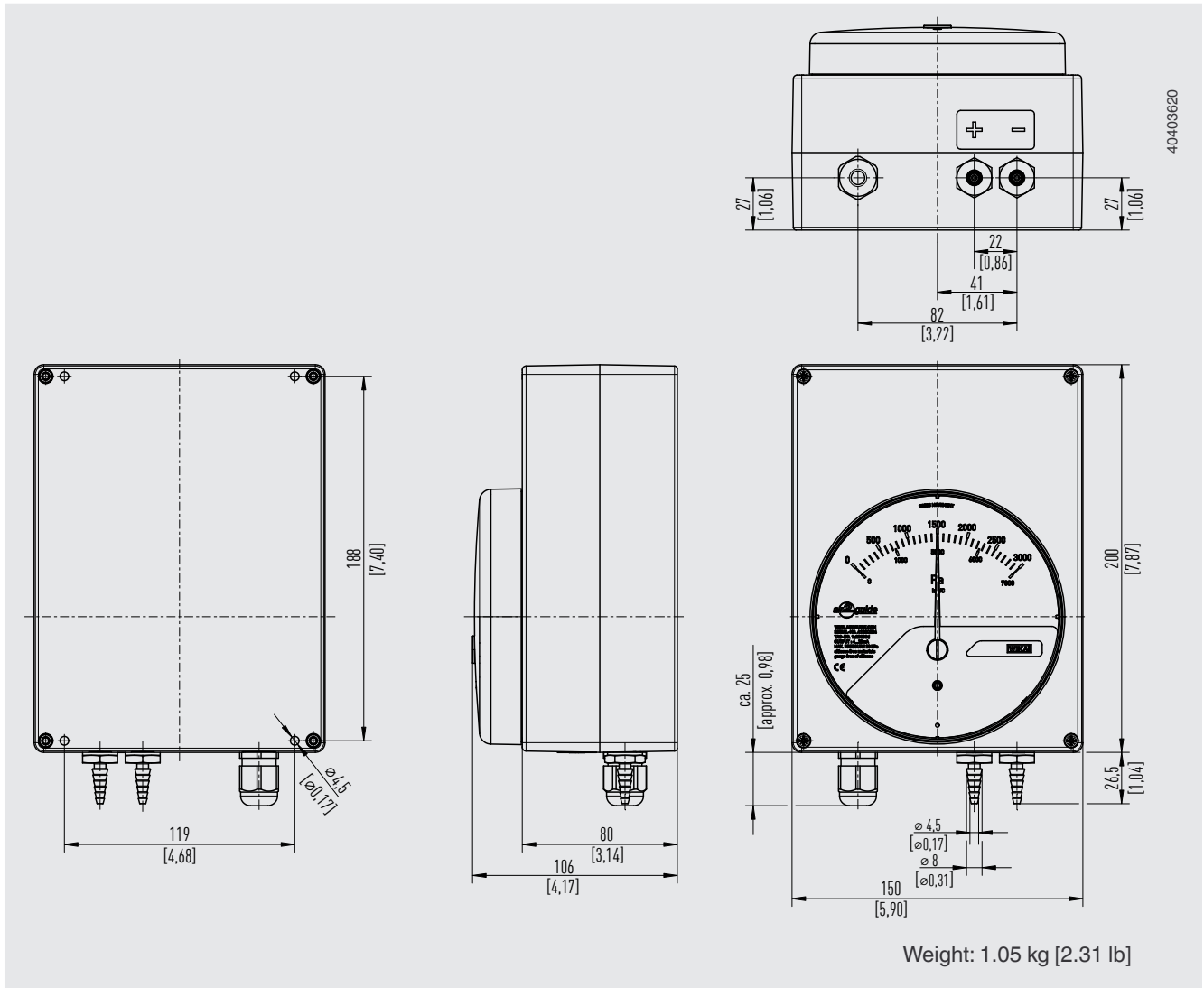
Logo	Description	Country
EAC	EAC	Eurasian Economic Community
	EMC Directive	

Certificates




Description	
Certificates	<ul style="list-style-type: none"> ■ 2.2 test report per EN 10204 (e.g. state-of-the-art manufacturing, material proof, indication accuracy) ■ 3.1 inspection certificate per EN 10204 (e.g. material proof for wetted metal parts, indication accuracy, calibration certificate)



→ For approvals and certificates, see website

Dimensions in mm [in]



Accessories

Model	Description	Order number
Process connections		
	With mounting thread G 1/8 for pipes 6.35 mm / 1/4"	40232867
	Combi hose connection for pressure measuring hoses \varnothing 4 ... 7 mm [\varnothing 0.16 ... 0.28 in]	40232484
Connections for static duct probes for 1/4" pipes		
	Insertion length 100 mm [3.94 in]	40232956
	Insertion length 150 mm [5.91 in]	40232964
	Insertion length 200 mm [7.87 in]	40232972

Model	Description	Order number
Measuring hoses		
	PVC hose, inner diameter 4 mm [0.16 in], roll of 25 m [82.02 ft]	40217841
	PVC hose, inner diameter 6 mm [0.24 in], roll of 25 m [82.02 ft]	40217850
	Silicone hose, inner diameter 4 mm [0.16 in], roll of 25 m [82.02 ft]	40217906
	Silicone hose, inner diameter 6 mm [0.24 in], roll of 25 m [82.02 ft]	40217914
	Duct connector for hose 4 mm [0.16 in] and 6 mm [0.24 in]	40217507

Ordering information

Model / Scale range of model A2G-05 differential pressure gauge Eco / Measuring range of model A2G-40 differential pressure switch / Hose connection inner diameter 4 or 6 mm / Options

© 03/2010 WIKA Alexander Wiegand SE & Co. KG, all rights reserved.
The specifications given in this document represent the state of engineering at the time of publishing.
We reserve the right to make modifications to the specifications and materials.
In case of a different interpretation of the translated and the English data sheet, the English wording shall prevail.

