

Pressure transmitter Plastic case Model PGT03

WIKA data sheet SP 11.04

intelliGAUGE®

Applications

- Hydraulics
- Pneumatics
- Gas technology

Special features

- Non-contact sensor (wear-free)
- Case from plastic
- Measuring ranges 0 ... 10 bar to 0 ... 250 bar
- Output signal 0.5 ... 4.5 V ratiometric



Pressure transmitter model PGT03

Description

Case

Plastic, black (PA), diameter 40 mm

Accuracy

2.5 % relative to the end value of the measuring range
(5 % - 95 % of the measuring range)

Measuring ranges

0 ... 10 to 0 ... 250 bar

Pressure limitation

Steady: 3/4 x end value of measuring range
Fluctuating: 2/3 x end value of measuring range
Short time: End value of measuring range

Permissible temperature

Ambient: -20 ... +60 °C
Medium: +60 °C maximum

Temperature effect

When the temperature of the measuring system deviates from the reference temperature (+20 °C):
Max. ±0.4 %/10 K of the measuring span

Process connection

Cu-alloy, G 1/4 (male)

Pressure element

Cu-alloy

Ingress protection

IP 41 per EN 60529 / IEC 529

Electronics

Output signal

0.5 ... 2.5 V ratiometric
0.5 ... 3.5 V ratiometric
0.5 ... 4.5 V ratiometric

Power supply (Us)

DC 5 V

Electrical connections

Lateral cable outlet, standard length 2 m

Colour	Assignment
red	U _B +
black	GND
orange	U _{SI} G +

Electromagnetic compatibility

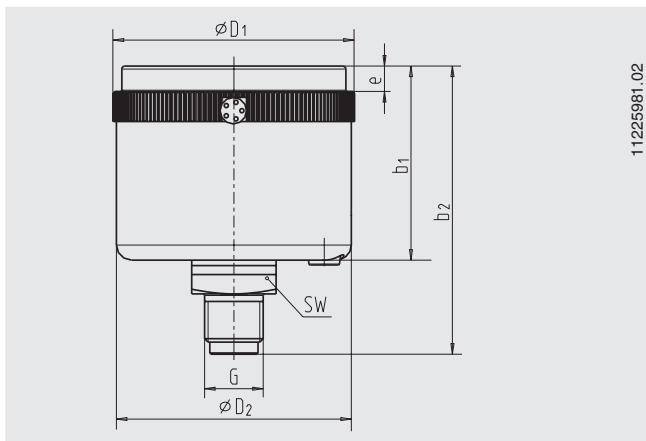
Per test standards EN 61000-4-6 / EN 61000-4-3

Options

- Other process connection (with adapter, Cu-alloy)
- Other measuring ranges
- Other output signals
- Other cable length

Dimensions in mm

Standard version



Case	Dimensions in mm							Weight in kg
	b ₁	b ₂	D ₁	D ₂	G	e	SW	
Ø 40 mm	32.5	42	43	40	G ¼	3	14	0.12

Ordering information

Model / Measuring range / Connection size / Output signal / Options

© 2011 WIKA Alexander Wiegand SE & Co. KG, all rights reserved.
The specifications given in this document represent the state of engineering at the time of publishing.
We reserve the right to make modifications to the specifications and materials.



WIKAL
WIKAL Alexander Wiegand SE & Co. KG
Alexander-Wiegand-Straße 30
63911 Klingenberg/Germany
Tel. (+49) 9372/132-0
Fax (+49) 9372/132-406
E-mail info@wika.de
www.wika.de