

Pressure gauge with digital indicator Model PGD14, for tyre pressure apparatus

WIKA data sheet SP 21.02

Applications

- For use in tyre inflation systems for monitoring the tyre pressure when inflating the tyres of motor vehicles
- Filling stations, garages, service stations

Special features

- Designs following EN 12645
- PTB test certificate
- Power supply 2 x 1.5 V LR 03 / AAA
- Battery status display
- Indication range 0 ... 12 bar



Pressure gauge with digital indicator, model PGD14, for tyre pressure apparatus

Description

Nominal size in mm

80

Indication accuracy

$p_m \leq 4 \text{ bar}$: $\pm 0.08 \text{ bar}$

$4 \text{ bar} < p_m \leq 10 \text{ bar}$: $\pm 0.16 \text{ bar}$

$p_m > 10 \text{ bar}$: $\pm 0.25 \text{ bar}$

(p_m ... measured pressure)

Indication accuracy complies with EN 12645

Indication range

0 ... 12 bar

Pressure limitation

Steady: $3/4 \times$ final display value

Fluctuating: $2/3 \times$ final display value

Short time: Final display value

Permissible temperature

Ambient: $-10 \dots +40 \text{ }^\circ\text{C}$

Medium: $+40 \text{ }^\circ\text{C}$ maximum

Storage: $-20 \dots +50 \text{ }^\circ\text{C}$

Ingress protection

IP 44 per EN 60529 / IEC 529 when mounted

Nominal position: $0 \dots 60^\circ$

Standard version

Process connection

Cu-alloy,
G 1/4 B (male), 14 mm flats
Centre back mount (CBM)

Case

Steel, black
Metal case screw-fitted to slip-on bezel, case can be leaded

Window

Glass

Power supply

2 x 1.5 V LR 03 / AAA "power one type 4103" batteries
Batteries included in delivery, test certificate only valid with approved batteries

Display principle

3 1/2-digit LCD display
Digit height 7 mm, display increments 0.05 bar

Approval

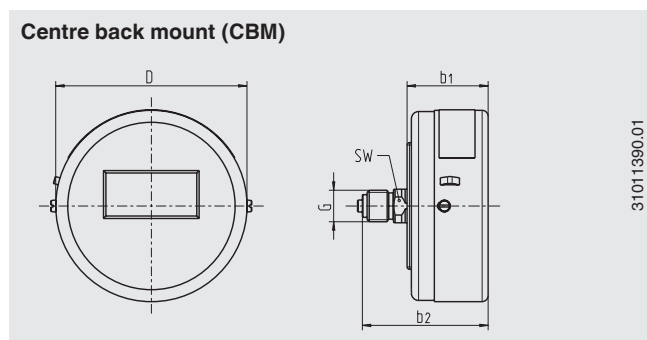
PTB test certificate

Options

- Other process connection
- Metal case leaded

Dimensions in mm

Standard version



NS	Dimensions in mm					Weight in kg
	$b_1 \pm 0.5$	$b_2 \pm 1$	D	G	SW	
80	35	52	80	G 1/4 B	14	0.27 1)

Process connection per EN 837-1 / 7.3

1) Weight including batteries

Ordering information

Model / Nominal size / Indication range / Connection size / Options

© 2011 WIKA Alexander Wiegand SE & Co. KG, all rights reserved.
The specifications given in this document represent the state of engineering at the time of publishing.
We reserve the right to make modifications to the specifications and materials.



WIKAI Alexander Wiegand SE & Co. KG
Alexander-Wiegand-Straße 30
63911 Klingenberg/Germany
Tel. (+49) 9372/132-0
Fax (+49) 9372/132-406
E-mail info@wika.de
www.wika.de