

Gas Leak Tight Connection (High Voltage) Model GLTC10 - Valves Model GLTC20 - Couplings

WIKA Data Sheet SP 61.03

Applications

- Sealing of tank filling ports to SF₆ filled switchgear

Special Features

- Self-sealing connection
- Designed for repeated opening and closing
- Material: Aluminium EN-AW-6026 (RoHS compliant) or Cu-alloy
- Valve body aluminum: Anodized to prevent corrosion
- Sealing ring for leak-tight connection



Gas Leak Tight Connection Model GLTC10 - Valves

Description

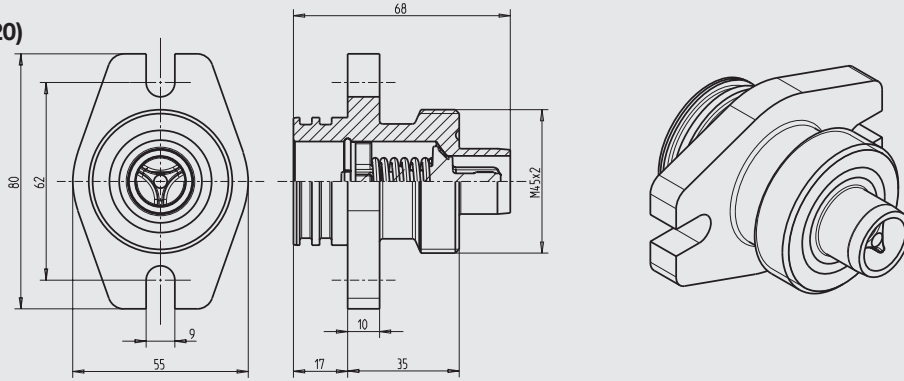
Keeping SF₆ gas inside circuit-breaker tanks during the filling process is nearly impossible without using a self-sealing coupling. WIKA Gas Leak Tight Connections are a cost effective way to seal SF₆ tanks so that filling and evacuation can be efficiently performed, preventing accidental release of SF₆ gas into the atmosphere. Each GLTC is Helium leak tested to a level of $\leq 1 \cdot 10^{-8}$ mbar · l / sec to ensure a leak-tight system.

Optional caps can be ordered to cover fill ports when they are not in use to keep them free of debris.

The GLTC's pictured are equivalent to size DN 20. However, other sizes and custom configurations are available. Please inquire directly to sf6-sales@wika.de for more details.

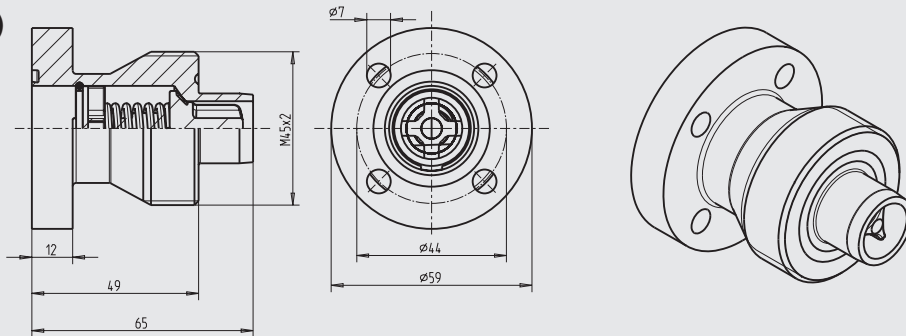
Valves

Nominal Bore 20 mm (DN 20)

Material: Aluminium
Order No.: 11426757

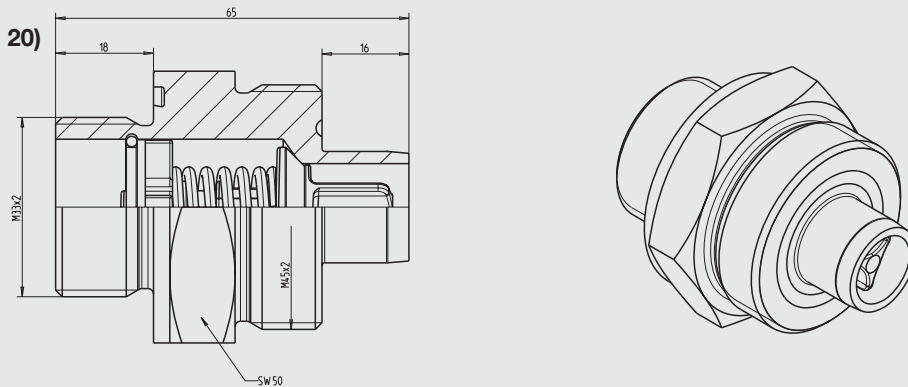
11426757.01

Nominal Bore 20 mm (DN 20)

Material: Aluminium
Order No.: 11426692

11426692.01

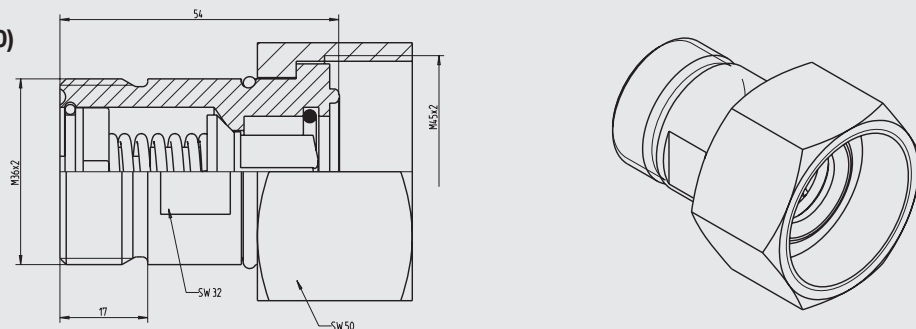
Nominal Bore 20 mm (DN 20)

Material: Aluminium
Order No.: 11423854

11423854.01

Coupling

Nominal Bore 20 mm (DN 20)

Material: Cu-alloy
Order No.: 11423951

11423951.01

Modifications may take place and materials specified may be replaced by others without prior notice.
Specifications and dimensions given in this leaflet represent the state of engineering at the time of printing.