

### Gas Leak Tight Connection (Medium Voltage) Model GLTC10 - Valves Model GLTC20 - Couplings

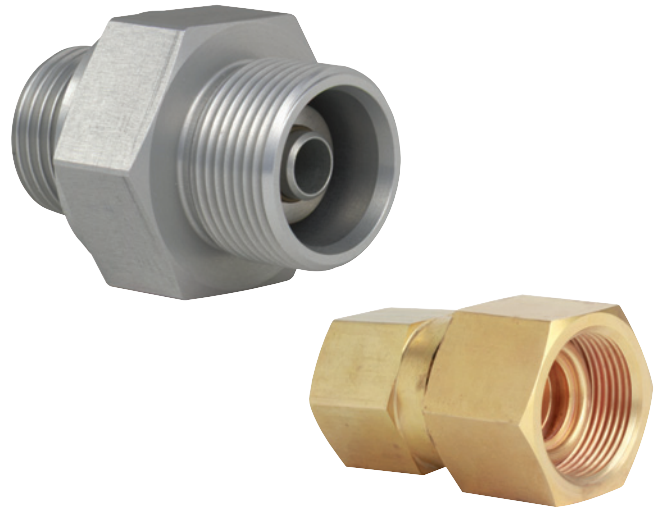
WIKA Data Sheet SP 61.01

#### Applications

- Sealing of tank filling ports to SF<sub>6</sub> filled switchgear

#### Special Features

- Self-sealing connection
- Designed for repeated opening and closing
- Material: Aluminium EN-AW-6026 (RoHS compliant) or Cu-alloy
- Valve body aluminum: Anodized to prevent corrosion
- O-ring: EPDM rubber for high heat resistance



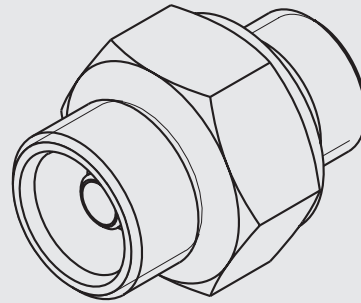
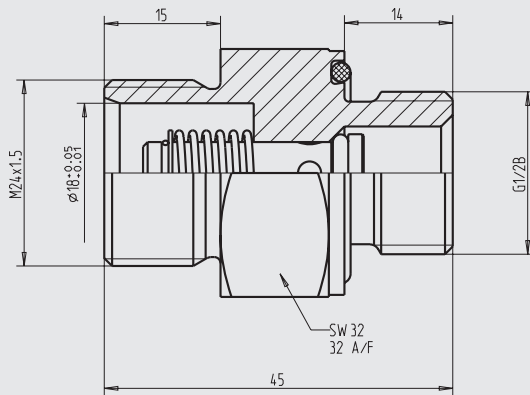
Gas Leak Tight Connection Model GLTC10 (Valve) and Model GLTC20 (Coupling)

#### Description

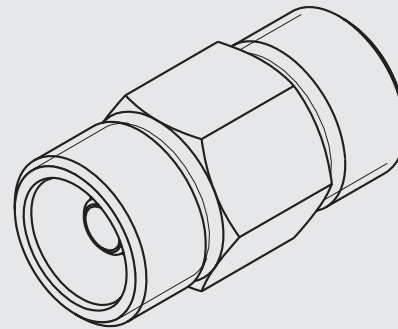
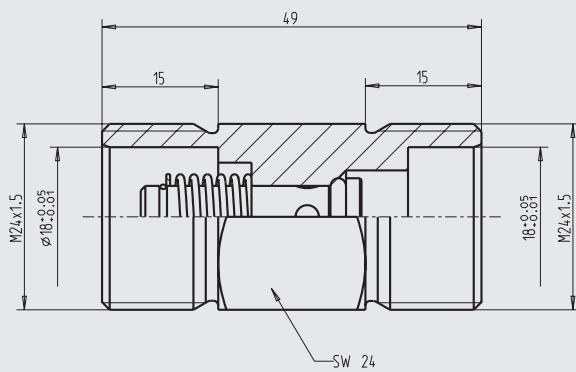
Keeping SF<sub>6</sub> gas inside circuit-breaker tanks during the filling process is nearly impossible without using a self-sealing coupling. WIKA Gas Leak Tight Connections are a cost effective way to seal SF<sub>6</sub> tanks so that filling and evacuation can be efficiently performed and prevent accidental release of SF<sub>6</sub> gas into the atmosphere. Each GLTC is Helium leak tested to a level of  $\leq 1 \cdot 10^{-8}$  mbar · l / sec to ensure a leak-tight system.

Optional caps can be ordered to cover fill ports when they are not in use to keep them free of debris.

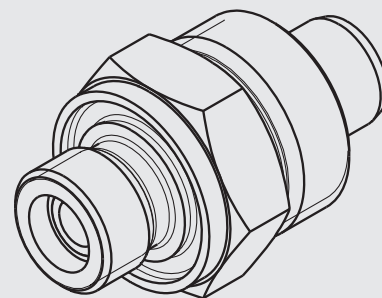
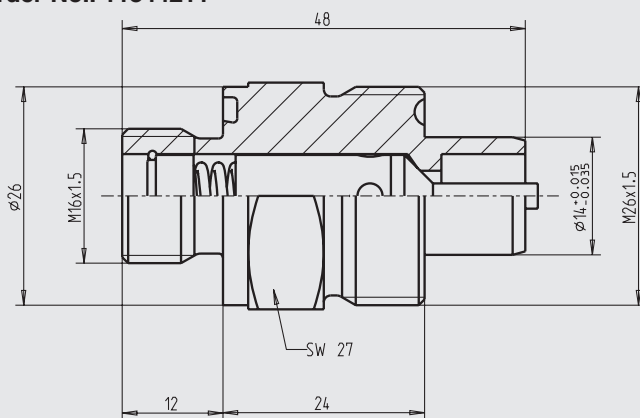
The GLTC pictured are equivalent to sizes DN 6 and DN 8, respectively (when viewed from left to right). However, other sizes and custom configurations are available. Please inquire directly to [sf6-sales@wika.de](mailto:sf6-sales@wika.de) for more details.

**Dimensions in mm****Valves****Nominal Bore 6 mm (DN 6)****Material: Aluminium****Order No.: 11385384**

1132723.01

**Nominal Bore 6 mm (DN 6)****Material: Aluminium****Order No.: 11339463**

11339463.01

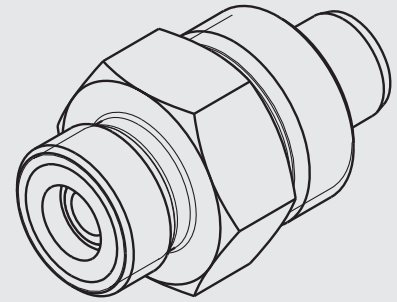
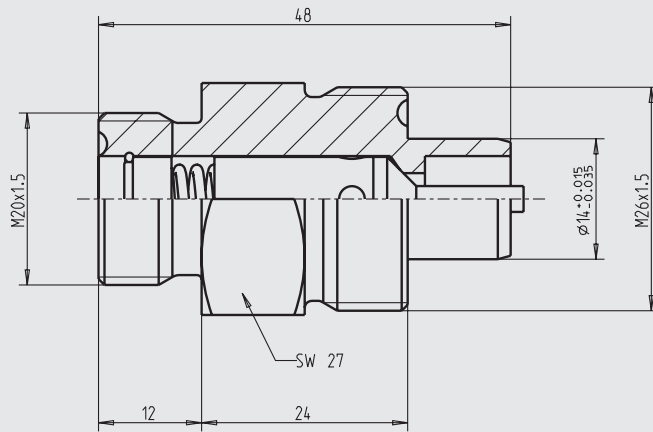
**Nominal Bore 8 mm (DN 8)****Material: Cu-alloy****Order No.: 11344211**

11344211.01

**Nominal Bore 8 mm (DN 8)**

**Material: Cu-alloy**

**Order No.: 11384582**

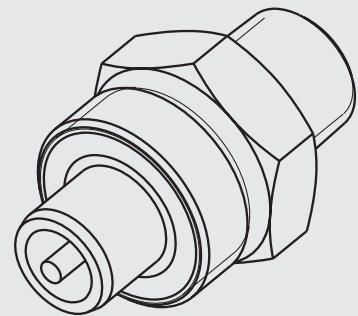
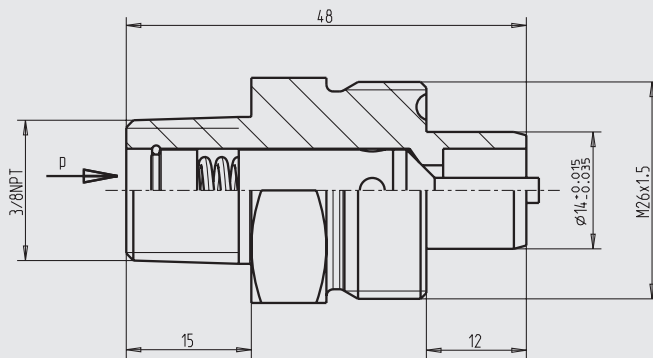


11384582.01

**Nominal Bore 8 mm (DN 8)**

**Material: Stainless Steel**

**Order No.: 11402806**

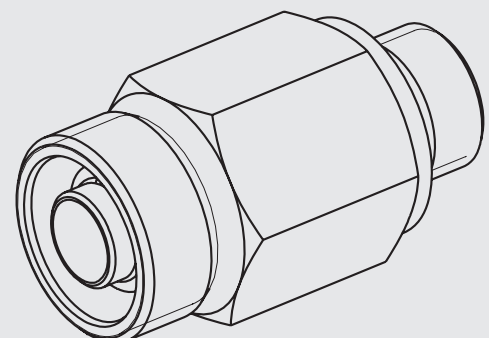
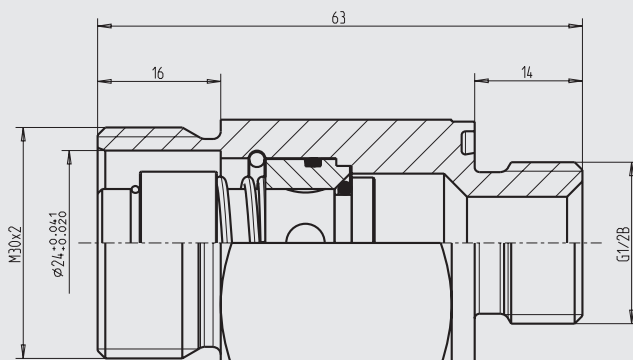


11402806.01

**Nominal Bore 12 mm (DN 12)**

**Material: Aluminium**

**Order No.: 11400536**

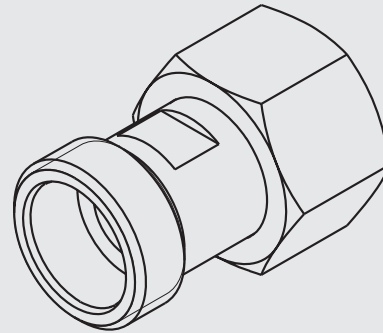
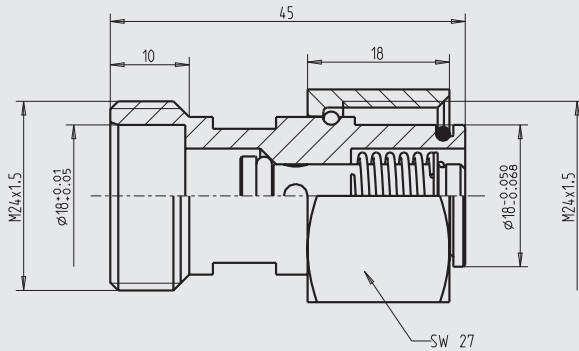


11400536.01

## Couplings

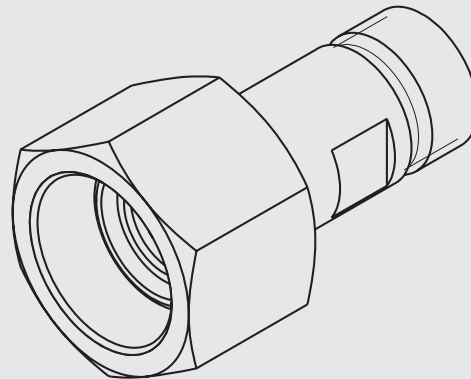
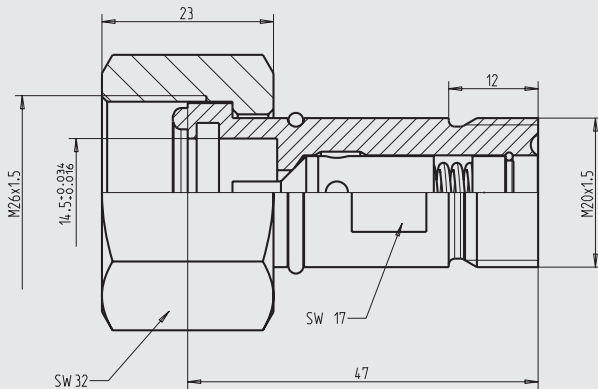
**Nominal Bore 6 mm (DN 6)**  
**Material: Aluminium**  
**Order No.: 11339722**

11339722.01



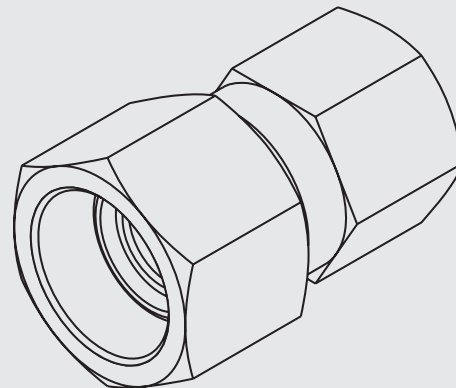
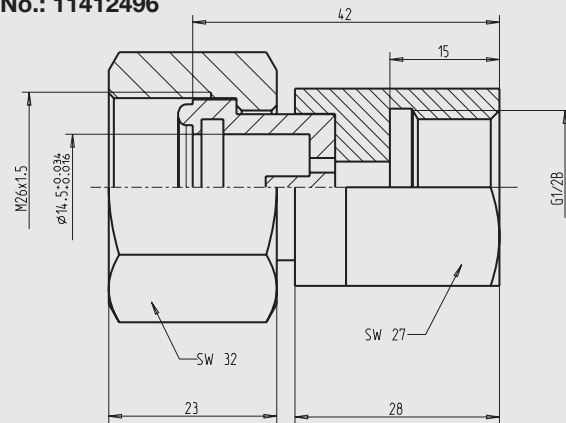
**Nominal Bore 8 mm (DN 8)**  
**Material: Aluminium**  
**Order No.: 11411961**

11411961.01



**Nominal Bore 8 mm (DN 8)**  
**Material: Cu-alloy**  
**Order No.: 11412496**

11412496.02



Modifications may take place and materials specified may be replaced by others without prior notice.  
Specifications and dimensions given in this leaflet represent the state of engineering at the time of printing.

