

OBSOLETE

Leak Tight Connection Model GLTC30 - Protecting Cap

WIKA Data Sheet SP 61.04

Applications

- Sealing of tank filling ports to SF₆ filled switchgear

Special Features

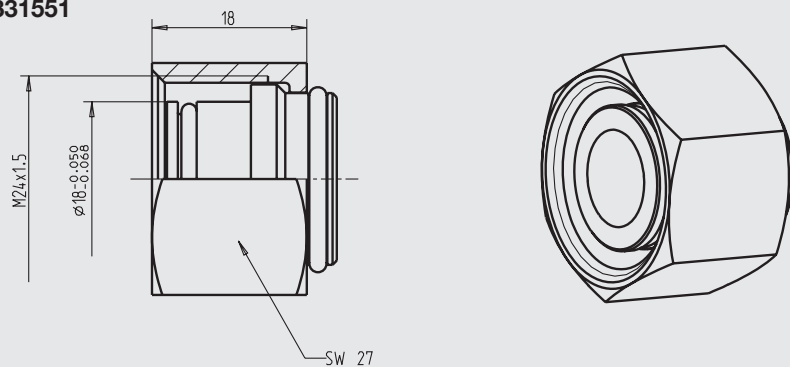
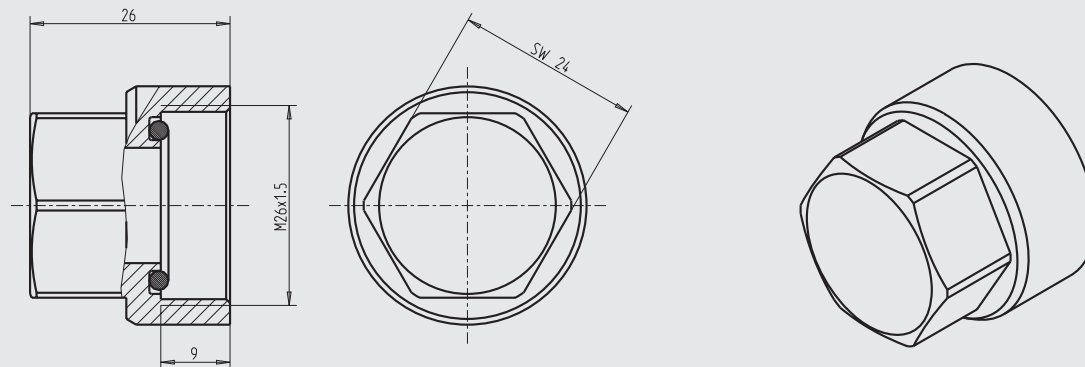
- Multiple sizes available to match any GLTC10- Valve
- Material: Aluminum EN-AW-6026
- Valve body: Anodized to prevent corrosion



Leak Tight Connection Model GLTC30 - Protecting Cap

Description

The protective cap covers the sealing port where a GLTC10-Valve is used. This keeps the fill port free of debris and prevents accidental use.

Dimensions in mm**Nominal Bore 6 mm (DN 6)****Material: Aluminium****Order No.: 11331551****Nominal Bore 8 mm (DN 8)****Material: Aluminium****Order No.: 11410698**

Modifications may take place and materials specified may be replaced by others without prior notice.
Specifications and dimensions given in this leaflet represent the state of engineering at the time of printing.

