

Industrial Glass Thermometer - 6" Scale

Models TI.61102, TI.61104 - Straight Form

Models TI.62102, TI.62104 - Back Form

WIKA Datasheet TI.61/TI.62

OBSOLETE

Applications

General hydronic - chilled and hot water lines

Standard Features

Size

6" (152.4 mm)

Accuracy

+/- 1% of scale range

Case

Gray, V shaped molded GE Valox[®] 735 polyester

Form

Type TI.61102 - Straight Connection 2" stem

Type TI.61104 - Straight Connection 4" stem

Type TI.62102 - Back Connection 2" stem

Type TI.62104 - Back Connection 4" stem

Connection

1/2" and 3/4" NPT dual threaded brass thermowell
Swivel Nut only; without thermowell

Stem & Socket Assembly

Brass

Tube & Capillary

Magnifying lens

Inert Blue Spirit

Window

Glass



Type TI.61102 (2" Stem)
Type TI.61104 (4" Stem)



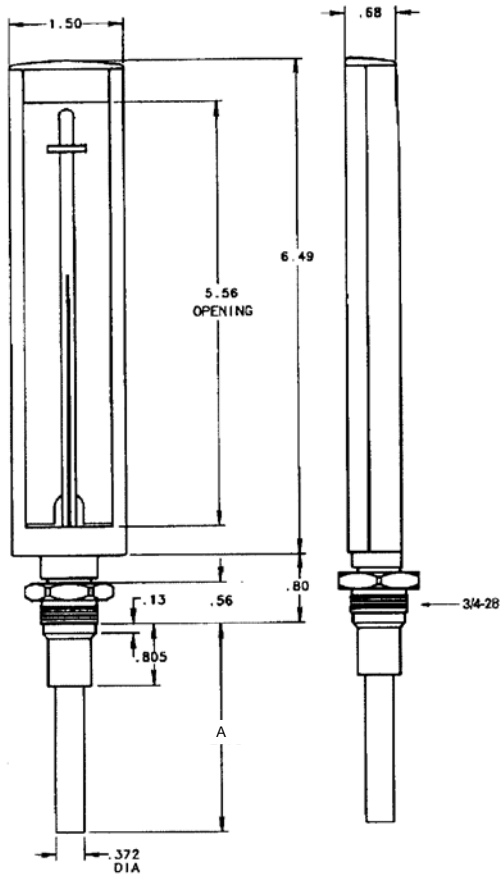
Type TI.62102 (2" Stem)
Type TI.62104 (4" Stem)

STANDARD RANGES

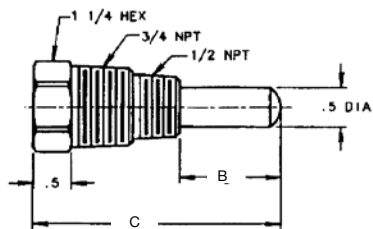
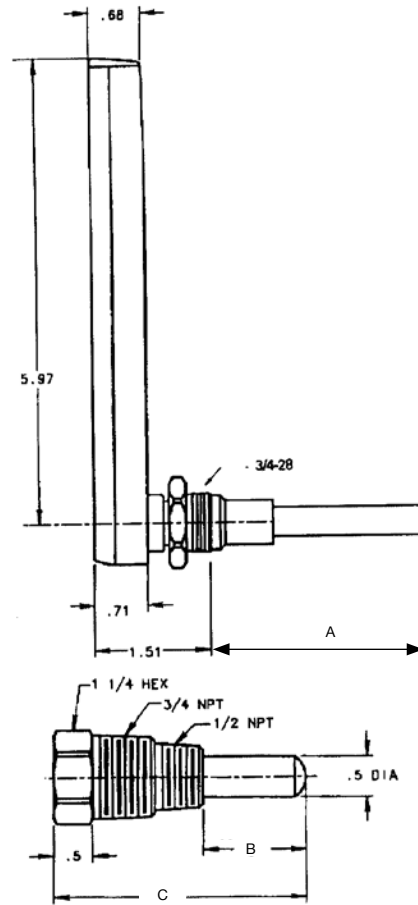
Fahrenheit	Dual Scale F & C	Celsius
Single Scale	°F Outer, °C Inner	Single Scale
-40/110° F	-40/110° F & -45/45° C	-40/45° C
20/120° F	20/120° F & 0/50° C	-5/50° C
20/180° F	20/180° F & 0/80° C	0/110° C
30/240° F	30/240° F & 0/150° C	0/150° C
30/300° F	30/300° F & 0/150° C	10/200° C
50/400° F	50/400° F & 10/200° C	-

Dimensions:

TI.61102, TI.61104



TI.62102, TI.62104



	TI.61102	TI.61104	TI.61104	TI.62104
A	2.73	4.73	2.73	4.73
B	1.131	3.125	1.131	3.125
C	3.25	5.25	3.25	5.25

Specifications and dimensions given in this leaflet represent the state of engineering at the time of printing. Modifications may take place and materials specified may be replaced by others without prior notice.



WIKAL Instrument Corporation
 1000 Wiegand Boulevard
 Lawrenceville, GA 30043
 Tel (770) 513-8200 Toll-free 1-888-WIKA-USA
 Fax (770) 338-5118
 E-Mail info@wika.com
 www.wika.com