



Industrial Glass Thermometer

Adjustable Connection, 9" Scale

Type TI.901 & TI.701

Thermometers

OBSOLETE

Application

Process piping, HVAC/R, plumbing, water treatment, boilers, diesel engines and compressors

Size

9" (228.6 mm) - TI.901
7" (177.8 mm) - TI.701

Accuracy

+/- 1% of scale range

Standard Features

Case

Black, V-shaped molded GE Valox® 735 polyester

Connection

1 1/4"-18 Swivel Nut only; without thermowell
3/4" NPT brass thermowell; 3/4" NPT brass thermowell with Lag; 3/4" NPT brass union hub, Duct flange

Adjustable Joint

Matching GE Valox® joint completely encloses capillary for thermal system protection

Locking Device

Provides 360° positioning of thermometer case and stem

Stem

Aluminum tapered metal to metal contact.
Graphite conducting media between bulb chamber & glass

Stem Lengths

3-1/2", 6", 9", 12"

Tube & Capillary

Magnifying lens

Measuring Element

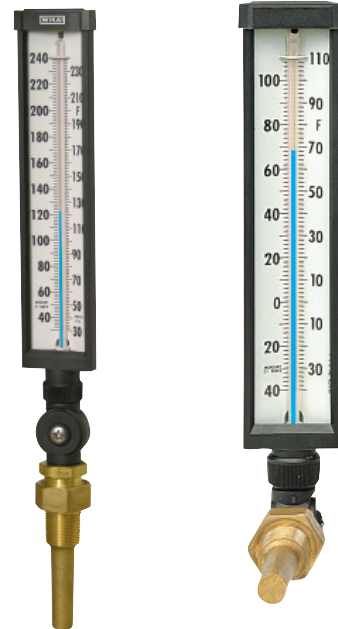
Blue non-mercury fill

Window

Glass

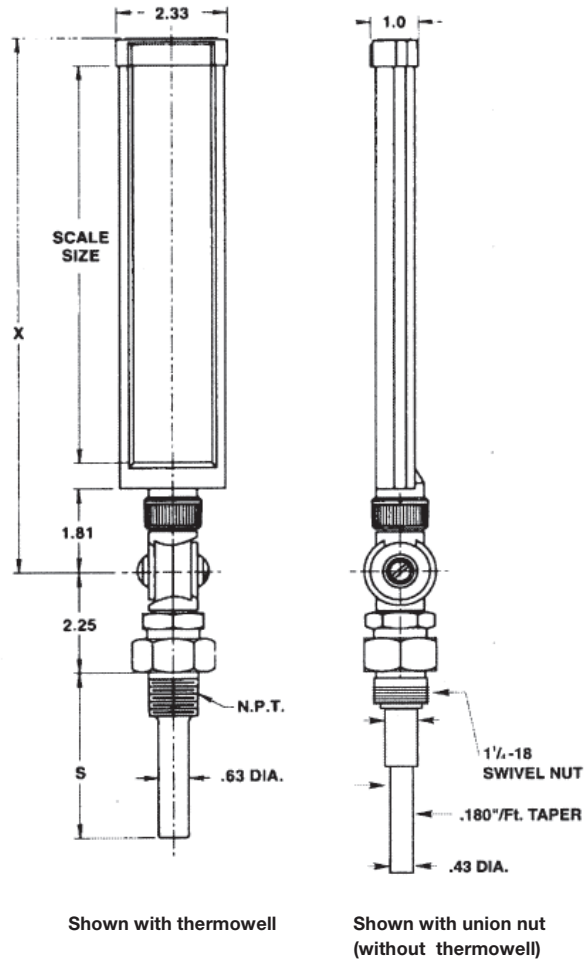
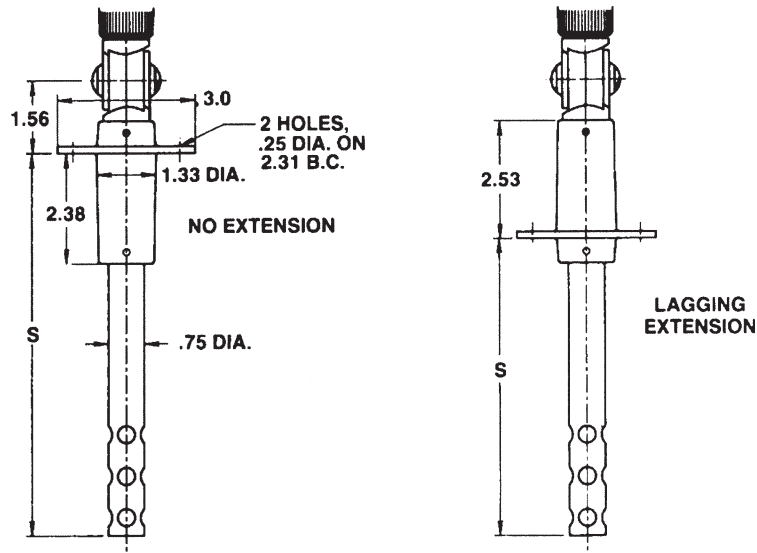
Scale

Permanently baked-on, bold black graduations are printed on white-coated aluminum



STANDARD RANGES		
Single Scale Fahrenheit	Dual Scale F & C	Single Scale Celsius
-40/110 F	-40/110 F & -40/43 C	-40/50 C
-10/180 F	-10/180 F & -20/45 C	-20/45 C
-20/120 F	0/120 F & -17/49 C	0/50 C
0/120 F	0/160 F & -15/70 C	0/100 C
0/160 F	30/180 F & 0/80 C	0/160 C
30/180 F	30/240 F & 0/115 C	----
30/240 F	30/300 F & 0/150 C	----
30/300 F	50/550 F & 10/290 C	----
50/550 F	50/750 F & 10/400 C	----

Dimensions:



Ordering Information:
 State computer part number (if available) / type number / size
 / range / connection size and location / options required.

Specifications given in this price list represent the state of engineering at the time of printing.
 Modifications may take place and the specified materials may change without prior notice



WIKAI Instrument Corporation
 1000 Wiegand Boulevard
 Lawrenceville, Georgia 30043-5868
 Tel: 770-513-8200 Fax: 770-338-5118
<http://www.wika.com> e-mail: info@wika.com