

Bimetal thermometer For heating technology Model A43, standard version

WIKA data sheet TM 43.01

Applications

- Heating systems
- Hot water tanks
- Solar collectors
- Heat transfer stations

Special features

- Reliable and cost-effective
- Indication accuracy class 2 in accordance with EN 13190
- Scale ranges from -30 ... +120 °C



Upper fig.: Steel case, galvanised
Lower fig.: Plastic case

Description

The model A43 bimetal thermometer was developed as a standard version for simple temperature indication in heating applications.

Its modular design enables a multitude of combinations of case materials, nominal sizes, scale ranges and stem lengths. This ensures that the basic dimensions are maintained.

The standard scope of delivery of the model A43 includes a thermowell. The thermowell can be operated with an operating pressure up to a maximum of 6 bar.

The model A43 is manufactured to tolerance class 2 in accordance with EN 13190 and thus offers the required indication accuracy for heating technology.

Standard version

Measuring element

Bimetal coil

Nominal size

63, 80, 100

Working range

Full scale value

Case

Model A43.10: Aluminium

Model A43.20: Steel, galvanised

Model A43.30: Plastic, black

Connection location

Back mount (BM), centre

Process connection

Thermowell G ½ B, copper alloy

Stem

Aluminium

Thermowell

Copper alloy

Removable, friction fit

Permissible operating pressure at thermowell

Max. 6 bar

Dial

Plastic, white, black lettering

Pointer

Plastic, black

Window

NS 63: PS

NS 80, 100: SAN

Indication accuracy

Class 2 per EN 13190

Zero adjustment

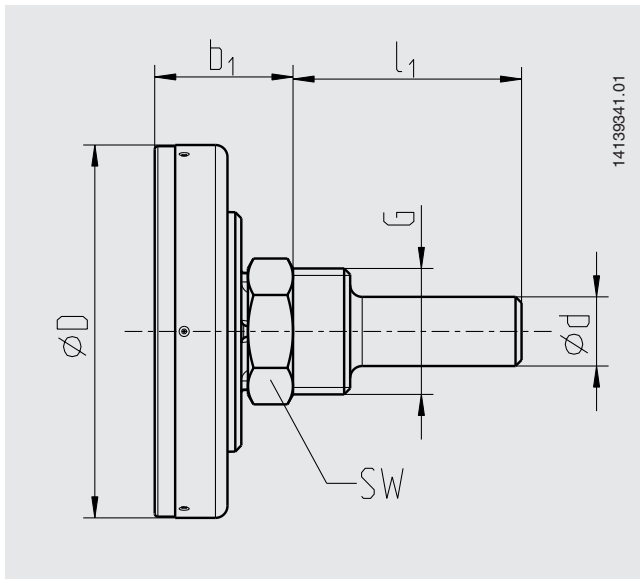
At bottom of stem

Options

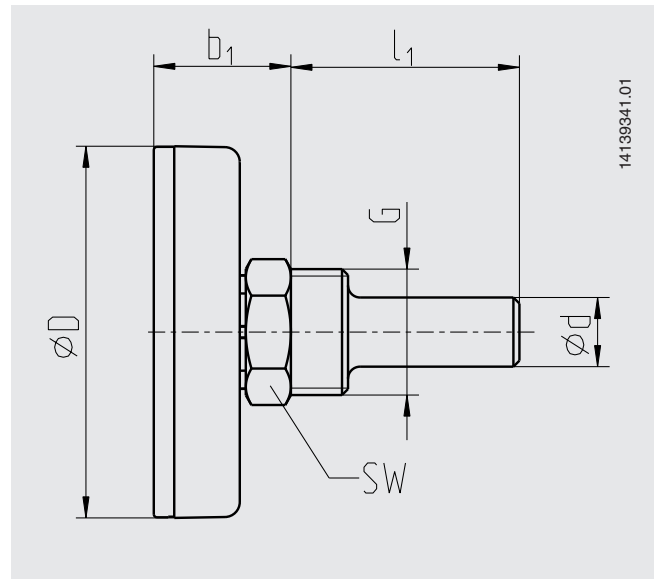
- Other scale ranges
- Slip-on bezel, nickel-plated
- Removable brass thermowell with retainer screw

Dimensions in mm

Model A43.10, A43.20



Model A43.30



NS	Dimensions in mm					
	b ₁	Ø d	Ø D	l ₁	G	SW
63	24	11.5 ¹⁾	63 (61.6 ... 62.2)	40, 60, 100 (optional: 160)	G 1/2 B	SW 21
80	24	11.5 ¹⁾	80 (78.6 ... 79.4)	40, 60, 100 (optional: 160)	G 1/2 B	SW 21
100	24	11.5 ¹⁾	100 (98.6 ... 99.4)	40, 60, 100 (optional: 160)	G 1/2 B	SW 21

1) With l₁ = 160: Ø d = 11.0 mm

Ordering information

Model / Nominal size / Scale range / Process connection / Length l₁ / Options

© 2016 WIKA Alexander Wiegand SE & Co. KG, all rights reserved.
The specifications given in this document represent the state of engineering at the time of publishing.
We reserve the right to make modifications to the specifications and materials.

