

# Gas-actuated thermometer

## Stainless steel version

### Model 73

WIKA data sheet TM 73.01



#### Applications

- General process instrumentation in the chemical and petrochemical industries, oil and gas industries, energy and water/wastewater industries
- Universally suitable for machine building, plant, tank, equipment manufacturing and food industry
- Temperature measurement without medium contact
- Mounting in instrument panels, control cabinets and control panels

#### Special features

- Scale ranges from -200 ... +700 °C [-328 ... +1,292 °F]
- Fast response behaviour
- Case and stem from stainless steel 316
- Various connection and case mounting designs
- QR code on dial links to instrument-specific information

#### Description

The model 73 gas-actuated thermometer has been developed and is manufactured in accordance with the EN 13190 standard. This high-quality thermometer has been designed especially for the requirements of the process industry. The thermometer, completely manufactured from stainless steel, is used particularly successfully in the chemical and petrochemical, oil and gas, and power engineering industries.

To allow optimum fitting to the process, individual insertion lengths and process connections are available. The thermometers have a high ingress protection of IP65 and can be used in outdoor applications even at negative temperatures. With liquid damping operation under high vibration conditions is possible. Due to the wide variety of possible designs, the model 73 gas-actuated thermometers can be perfectly adapted to any process connection or location.

For further approvals, see page 10



**Fig. left: lower mount (radial), model R73.100**  
**Fig. centre: with capillary and instrument mounting bracket, model F73.100**  
**Fig. right: back mount (axial), model A73.100**

With the contact bulb version, temperature measurements are possible without any contact with the medium, even when the pipe diameter is extremely small. The contact bulb is intended for external mounting on pipes and tanks.

When it comes to harsh climatic conditions at the place of use, the model 73 is the right choice, as it can be used at temperatures ranging from -40 °C [-40 °F] ... +60 °C [+140 °F] (In the POLARgauge® version also to -50 °C [-58 °F] of -70 °C [-94 °F]).

The QR code on the dial allows instrument-specific information such as the serial number, the order number, certificates and other product data to be retrieved from the internet easily and in the long term.

Configurator



Standard article



# Specifications

Basic information	
Standard	EN 13190
Nominal size	<ul style="list-style-type: none"> <li>■ 100 mm [4"]</li> <li>■ 160 mm [6"]</li> </ul>
Window	<ul style="list-style-type: none"> <li>■ Laminated safety glass</li> <li>■ Polycarbonate</li> </ul>
Connection location	
A73.1x0	Back mount (axial)
R73.1x0	Lower mount (radial)
S73.1x0	Back mount, adjustable stem and dial
F73.1x0	Version with capillary
Connection designs	
S	Standard (threaded connection) <sup>1)</sup>
1	Plain stem (without thread)
2	Rotatable connection
3	Union nut
4	Compression fitting (sliding on stem)
5	Union nut and loose threaded connection
6	Compression fitting (can be adjusted on either capillary or spiral protective sleeve)
7	Compression fitting on the case <sup>1)</sup>
“Adjustable stem and dial” case version	Swivelling 90° and rotatable 360°
Damping	<ul style="list-style-type: none"> <li>■ With liquid damping (silicone oil)</li> <li>■ With food-compatible liquid damping</li> </ul>
Materials (non-wetted)	
Case, bayonet bezel	Stainless steel 304
Pointer	Aluminium, black, micro adjustment
Articulated joint “adjustable stem and dial”	Stainless steel 304
Dial	Aluminium (white)

1) Not applicable to version with capillary

Measuring element		
Type of measuring element	Gas-pressure inert gas filling, physiologically safe	
Working range		
Constant loading (1 year)	Measuring range per EN 13190	
Short time (max. 24 h)	Scale range per EN 13190	
Movement materials	<ul style="list-style-type: none"> <li>■ Combination of brass and stainless steel</li> <li>■ Completely from stainless steel</li> </ul>	
Capillary		
Diameter	Ø 2 mm [0.08 in]	
Spiral protective sleeve	Ø 7 mm [0.28 in]	
Length	Capillary without spiral protective sleeve	Max. 60 m [197 ft]
	Capillary with spiral protective sleeve	Max. 40 m [131 ft]
	Capillary with spiral protective sleeve and PVC coating	Max. 20 m [66 ft]
Minimum bending radius	Capillary without spiral protective sleeve	6 mm [0.24 in]
	Capillary with spiral protective sleeve	20 mm [0.79 in]
	Capillary with spiral protective sleeve and PVC coating	30 mm [1.18 in]
Material	Stainless steel 316	

Measuring element	
Mounting options for instruments with capillary	<ul style="list-style-type: none"> <li>■ Surface mounting flange, stainless steel</li> <li>■ Instrument mounting bracket, aluminium die-casting</li> <li>■ Panel mounting flange, stainless steel</li> <li>■ Triangular profile ring with clamp, stainless steel</li> </ul>
Contact bulb	
Dimensions	120 x 22 x 12 mm [4.72 x 4.8 x 0.47 in]
Mounting types	<ul style="list-style-type: none"> <li>■ Mounting on pipes</li> <li>■ Mounting on tanks</li> </ul>
Material	Stainless steel 316

Accuracy specifications	
Accuracy class	Class 1 per EN 13190 at 23 °C ±10 °C ambient temperature

Scale range in °C	Measuring range in °C <sup>1)</sup>	Scale interval in °C	Error limit in accordance with EN 13190 ±°C
-200 ... +50	-170 ... +20	5	5
-200 ... +100	-170 ... +70	5	5
-110 ... +50	-90 ... +30	2	2
-80 ... +60	-60 ... +40	2	2
-60 ... +40	-50 ... +30	1	1
-50 ... +50	-40 ... +40	1	1
-50 ... +100	-30 ... +80	2	2
-50 ... +150	-30 ... +130	2	2
-40 ... +60	-30 ... +50	1	1
-30 ... +50	-20 ... +40	1	1
-20 ... +40	-10 ... +30	1	1
-20 ... +60	-10 ... +50	1	1
-20 ... +80	-10 ... +70	1	1
-20 ... +180	0 ... +160	2	2
-10 ... +100	0 ... +90	1	1
0 ... 60	10 ... 50	1	1
0 ... 80	10 ... 70	1	1
0 ... 100	10 ... 90	1	1
0 ... 120	10 ... 110	2	2
0 ... 160	20 ... 140	2	2
0 ... 200	20 ... 180	2	2
0 ... 250	30 ... 220	5	2.5
0 ... 300	30 ... 270	5	5
0 ... 400	50 ... 350	5	5
0 ... 500	50 ... 450	5	5
0 ... 600	100 ... 500	10	10
0 ... 700	100 ... 600	10	10
50 ... 650	150 ... 550	10	10

1) The measuring range is indicated on the dial by two triangular marks. Only within this range is the stated error limit valid per EN 13190.

Further details on: scale range		
<b>Unit</b>	<ul style="list-style-type: none"> <li>■ °C</li> <li>■ °F</li> <li>■ °C/°F (dual scale)</li> </ul>	
<b>Dial</b>		
Scale graduation	<ul style="list-style-type: none"> <li>■ Single scale</li> <li>■ Dual scale</li> </ul>	
Scale colour	Single scale	Black
	Dual scale	Red → Other colours on request

Process connection	
<b>Thread size</b>	<ul style="list-style-type: none"> <li>■ Plain, without thread</li> <li>■ G ½ B</li> <li>■ ½ NPT</li> <li>■ G ½ female</li> <li>■ ½ NPT female</li> <li>■ M20 x 1.5</li> <li>■ M24 x 1.5 female</li> </ul> <p>→ Other threads on request</p>
<b>Materials (wetted)</b>	Stainless steel 316
<b>Stem</b>	
Diameter	<ul style="list-style-type: none"> <li>■ 6 mm [0.24 in]</li> <li>■ 8 mm [0.32 in]</li> <li>■ 10 mm [0.39 in]</li> <li>■ 12 mm [0.47 in]</li> </ul>
<b>Thermowell/protection tube</b>	<p>In principle, the operation of a mechanical thermometer is possible without a thermowell/protection tube with low process-side loading (low pressure, low viscosity and low flow rates).</p> <p>However, in order to enable exchanging the thermometer during operation (e.g. instrument replacement or calibration) and to ensure a better protection of the instrument and also the plant and the environment, it is advisable to use a thermowell/protection tube from the extensive WIKA thermowell/protection tube portfolio.</p> <p>→ For further information on the wake frequency calculation of the thermowell/protection tube, see technical information IN 00.15.</p>

Operating conditions	
<b>Ambient temperature (on the case)</b>	<ul style="list-style-type: none"> <li>■ -40 ... +60 °C [-40 ... +140 °F]</li> <li>■ -50 ... +60 °C [-58 ... +140 °F] (extended range)</li> <li>■ -70 ... +60 °C [-94 ... +140 °F] ( <b>POLARGAUGE</b>® version)</li> </ul>
<b>Storage temperature</b>	
Without liquid damping	-50 ... +70 °C [-58 ... +158 °F]
With liquid damping	-40 ... +70 °C [-40 ... +158 °F]
<b>Max. operating pressure at the stem</b>	Max. 25 bar [363 psi], static
<b>Ingress protection per IEC/EN 60529</b>	<ul style="list-style-type: none"> <li>■ IP65</li> <li>■ IP66</li> </ul>

Design	1			2 and 3			4 and 5			S		
Stem diameter in mm [in]	6 [0.24]	8 [0.32]	≥ 10 [0.40]	6 [0.24]	8 [0.32]	≥ 10 [0.40]	6 [0.24]	8 [0.32]	≥ 10 [0.40]	6 [0.24]	8 [0.32]	≥ 10 [0.40]
Scale range in °C	Minimum insertion length in mm [in]											
<b>Models A73 (back mount) and R73 (lower mount)</b>												
-200 ... +50	80 [3.15]	80 [3.15]	80 [3.15]	70 [2.76]	70 [2.76]	70 [2.76]	60 [2.36]	60 [2.36]	60 [2.36]	75 [2.95]	75 [2.95]	75 [2.95]
-200 ... +100	80 [3.15]	80 [3.15]	80 [3.15]	70 [2.76]	70 [2.76]	70 [2.76]	60 [2.36]	60 [2.36]	60 [2.36]	75 [2.95]	75 [2.95]	75 [2.95]
-110 ... +50	75 [2.95]	60 [2.36]	60 [2.36]	60 [2.36]	60 [2.36]	60 [2.36]	60 [2.36]	60 [2.36]	60 [2.36]	60 [2.36]	60 [2.36]	60 [2.36]
-80 ... +60	95 [3.74]	60 [2.36]	60 [2.36]	95 [3.74]	60 [2.36]	60 [2.36]	90 [3.54]	60 [2.36]	60 [2.36]	110 [4.33]	75 [2.95]	75 [2.95]
-60 ... +40	105 [4.13]	70 [2.76]	60 [2.36]	105 [4.13]	70 [2.76]	60 [2.36]	100 [3.94]	65 [2.56]	60 [2.36]	120 [4.72]	85 [3.35]	75 [2.95]
-50 ... +50	100 [3.94]	70 [2.76]	60 [2.36]	80 [3.15]	60 [2.36]	60 [2.36]	90 [3.54]	60 [2.36]	60 [2.36]	90 [3.54]	60 [2.36]	60 [2.36]
-50 ... +100	85 [3.35]	60 [2.36]	60 [2.36]	60 [2.36]	60 [2.36]	60 [2.36]	75 [2.95]	60 [2.36]	60 [2.36]	75 [2.95]	60 [2.36]	60 [2.36]
-50 ... +150	75 [2.95]	60 [2.36]	60 [2.36]	60 [2.36]	60 [2.36]	60 [2.36]	60 [2.36]	60 [2.36]	60 [2.36]	60 [2.36]	60 [2.36]	60 [2.36]
-40 ... +60	105 [4.13]	70 [2.76]	60 [2.36]	105 [4.13]	70 [2.76]	60 [2.36]	100 [3.94]	65 [2.56]	60 [2.36]	120 [4.72]	85 [3.35]	75 [2.95]
-30 ... +50	125 [4.92]	75 [2.95]	60 [2.36]	125 [4.92]	75 [2.95]	60 [2.36]	120 [4.72]	70 [2.76]	60 [2.36]	140 [5.51]	90 [3.54]	75 [2.95]
-20 ... +40	135 [5.31]	90 [3.54]	65 [2.56]	115 [4.53]	65 [2.56]	60 [2.36]	125 [4.92]	75 [2.95]	60 [2.36]	125 [4.92]	80 [3.15]	60 [2.36]
-20 ... +60	125 [4.92]	85 [3.35]	60 [2.36]	125 [4.92]	85 [3.35]	60 [2.36]	120 [4.72]	80 [3.15]	60 [2.36]	140 [5.51]	100 [3.94]	75 [2.95]
-20 ... +80	105 [4.13]	70 [2.76]	60 [2.36]	105 [4.13]	70 [2.76]	60 [2.36]	100 [3.94]	65 [2.56]	60 [2.36]	120 [4.72]	85 [3.35]	75 [2.95]
-20 ... +180	75 [2.95]	60 [2.36]	60 [2.36]	60 [2.36]	60 [2.36]	60 [2.36]	60 [2.36]	60 [2.36]	60 [2.36]	65 [2.56]	60 [2.36]	60 [2.36]
-10 ... +100	100 [3.74]	70 [2.76]	60 [2.36]	80 [3.15]	60 [2.36]	60 [2.36]	90 [3.54]	60 [2.36]	60 [2.36]	90 [3.54]	60 [2.36]	60 [2.36]
0 ... 60	145 [5.71]	95 [3.74]	70 [2.76]	120 [4.72]	70 [2.76]	60 [2.36]	130 [5.12]	80 [3.15]	60 [2.36]	135 [5.31]	85 [3.35]	60 [2.36]
0 ... 80	125 [4.92]	85 [3.35]	60 [2.36]	125 [4.92]	85 [3.35]	60 [2.36]	120 [4.72]	80 [3.15]	60 [2.36]	140 [5.51]	100 [3.94]	75 [2.95]
0 ... 100	115 [4.53]	75 [2.95]	60 [2.36]	115 [4.53]	75 [2.95]	60 [2.36]	110 [4.33]	70 [2.76]	60 [2.36]	130 [5.12]	90 [3.54]	75 [2.95]
0 ... 120	95 [3.74]	70 [2.76]	60 [2.36]	95 [3.74]	70 [2.76]	60 [2.36]	90 [3.54]	65 [2.56]	60 [2.36]	110 [4.33]	85 [3.35]	75 [2.95]
0 ... 160	95 [3.74]	60 [2.36]	60 [2.36]	95 [3.74]	60 [2.36]	60 [2.36]	90 [3.54]	60 [2.36]	60 [2.36]	110 [4.33]	75 [2.95]	75 [2.95]
0 ... 200	95 [3.74]	60 [2.36]	60 [2.36]	95 [3.74]	60 [2.36]	60 [2.36]	90 [3.54]	60 [2.36]	60 [2.36]	110 [4.33]	75 [2.95]	75 [2.95]
0 ... 250	75 [2.95]	60 [2.36]	60 [2.36]	75 [2.95]	60 [2.36]	60 [2.36]	70 [2.76]	60 [2.36]	60 [2.36]	90 [3.54]	75 [2.95]	75 [2.95]
0 ... 300	105 [4.13]	90 [3.54]	90 [3.54]	95 [3.74]	80 [3.15]	80 [3.15]	70 [2.76]	60 [2.36]	60 [2.36]	90 [3.54]	75 [2.95]	75 [2.95]
0 ... 400	105 [4.13]	90 [3.54]	90 [3.54]	95 [3.74]	80 [3.15]	80 [3.15]	70 [2.76]	60 [2.36]	60 [2.36]	90 [3.54]	75 [2.95]	75 [2.95]
0 ... 500	165 [6.50]	130 [5.12]	130 [5.12]	155 [6.10]	120 [4.72]	120 [4.72]	125 [4.92]	90 [3.54]	90 [3.54]	150 [5.91]	115 [4.53]	115 [4.53]
0 ... 600	145 [5.71]	130 [5.12]	130 [5.12]	135 [5.31]	120 [4.72]	120 [4.72]	105 [4.13]	90 [3.54]	90 [3.54]	130 [5.12]	115 [4.53]	115 [4.53]
0 ... 700	155 [6.10]	135 [5.31]	130 [5.12]	125 [4.92]	105 [4.13]	105 [4.13]	115 [4.53]	95 [3.74]	95 [3.74]	140 [5.51]	120 [4.72]	120 [4.72]
50 ... 650	155 [6.10]	130 [5.12]	130 [5.12]	125 [4.92]	100 [3.94]	100 [3.94]	115 [4.53]	90 [3.54]	90 [3.54]	140 [5.51]	115 [4.53]	115 [4.53]

Design	1			2 and 3			4 and 5			S		
Stem diameter in mm [in]	6 [0.24]	8 [0.32]	≥ 10 [0.40]	6 [0.24]	8 [0.32]	≥ 10 [0.40]	6 [0.24]	8 [0.32]	≥ 10 [0.40]	6 [0.24]	8 [0.32]	≥ 10 [0.40]
Scale range in °C	Minimum insertion length in mm [in]											
<b>Model S73 (back mount, adjustable stem and dial)</b>												
-200 ... +50	60 [2.36]	60 [2.36]	60 [2.36]	60 [2.36]	60 [2.36]	60 [2.36]	60 [2.36]	60 [2.36]	60 [2.36]	65 [2.56]	65 [2.56]	65 [2.56]
-200 ... +100	60 [2.36]	60 [2.36]	60 [2.36]	60 [2.36]	60 [2.36]	60 [2.36]	60 [2.36]	60 [2.36]	60 [2.36]	65 [2.56]	65 [2.56]	65 [2.56]
-110 ... +50	60 [2.36]	60 [2.36]	60 [2.36]	60 [2.36]	60 [2.36]	60 [2.36]	60 [2.36]	60 [2.36]	60 [2.36]	75 [2.95]	60 [2.36]	60 [2.36]
-80 ... +60	80 [3.15]	60 [2.36]	60 [2.36]	80 [3.15]	60 [2.36]	60 [2.36]	90 [3.54]	60 [2.36]	60 [2.36]	100 [3.94]	65 [2.56]	65 [2.56]
-60 ... +40	90 [3.54]	60 [2.36]	60 [2.36]	90 [3.54]	60 [2.36]	60 [2.36]	100 [3.94]	65 [2.56]	60 [2.36]	110 [4.33]	75 [2.95]	65 [2.56]
-50 ... +50	85 [3.35]	60 [2.36]	60 [2.36]	85 [3.35]	60 [2.36]	60 [2.36]	90 [3.54]	60 [2.36]	60 [2.36]	100 [3.94]	70 [2.76]	60 [2.36]
-50 ... +100	70 [2.76]	60 [2.36]	60 [2.36]	70 [2.76]	60 [2.36]	60 [2.36]	75 [2.95]	60 [2.36]	60 [2.36]	85 [3.35]	60 [2.36]	60 [2.36]
-50 ... +150	60 [2.36]	60 [2.36]	60 [2.36]	60 [2.36]	60 [2.36]	60 [2.36]	60 [2.36]	60 [2.36]	60 [2.36]	70 [2.76]	60 [2.36]	60 [2.36]
-40 ... +60	90 [3.54]	60 [2.36]	60 [2.36]	90 [3.54]	60 [2.36]	60 [2.36]	100 [3.94]	65 [2.56]	60 [2.36]	110 [4.33]	75 [2.95]	65 [2.56]
-30 ... +50	110 [4.33]	60 [2.36]	60 [2.36]	110 [4.33]	60 [2.36]	60 [2.36]	120 [4.72]	70 [2.76]	60 [2.36]	130 [5.12]	80 [3.15]	65 [2.56]
-20 ... +40	120 [4.72]	75 [2.95]	60 [2.36]	120 [4.72]	75 [2.95]	60 [2.36]	125 [4.92]	75 [2.95]	60 [2.36]	135 [5.31]	85 [3.35]	60 [2.36]
-20 ... +60	110 [4.33]	70 [2.76]	60 [2.36]	110 [4.33]	70 [2.76]	60 [2.36]	120 [4.72]	80 [3.15]	60 [2.36]	130 [5.12]	90 [3.54]	65 [2.56]
-20 ... +80	90 [3.54]	60 [2.36]	60 [2.36]	90 [3.54]	60 [2.36]	60 [2.36]	100 [3.94]	65 [2.56]	60 [2.36]	110 [4.33]	75 [2.95]	65 [2.56]
-20 ... +180	60 [2.36]	60 [2.36]	60 [2.36]	60 [2.36]	60 [2.36]	60 [2.36]	60 [2.36]	60 [2.36]	60 [2.36]	75 [2.95]	60 [2.36]	60 [2.36]
-10 ... +100	85 [3.35]	60 [2.36]	60 [2.36]	85 [3.35]	60 [2.36]	60 [2.36]	90 [3.54]	60 [2.36]	60 [2.36]	100 [3.94]	70 [2.76]	60 [2.36]
0 ... 60	130 [5.12]	80 [3.15]	60 [2.36]	130 [5.12]	80 [3.15]	60 [2.36]	130 [5.12]	80 [3.15]	60 [2.36]	140 [5.51]	90 [3.54]	65 [2.56]
0 ... 80	110 [4.33]	70 [2.76]	60 [2.36]	110 [4.33]	70 [2.76]	60 [2.36]	120 [4.72]	80 [3.15]	60 [2.36]	130 [5.12]	90 [3.54]	65 [2.56]
0 ... 100	100 [3.94]	60 [2.36]	60 [2.36]	100 [3.94]	60 [2.36]	60 [2.36]	110 [4.33]	70 [2.76]	60 [2.36]	120 [4.72]	80 [3.15]	65 [2.56]
0 ... 120	80 [3.15]	60 [2.36]	60 [2.36]	80 [3.15]	60 [2.36]	60 [2.36]	90 [3.54]	65 [2.56]	60 [2.36]	100 [3.94]	75 [2.95]	65 [2.56]
0 ... 160	80 [3.15]	60 [2.36]	60 [2.36]	80 [3.15]	60 [2.36]	60 [2.36]	90 [3.54]	60 [2.36]	60 [2.36]	100 [3.94]	65 [2.56]	65 [2.56]
0 ... 200	80 [3.15]	60 [2.36]	60 [2.36]	80 [3.15]	60 [2.36]	60 [2.36]	90 [3.54]	60 [2.36]	60 [2.36]	100 [3.94]	65 [2.56]	65 [2.56]
0 ... 250	60 [2.36]	60 [2.36]	60 [2.36]	60 [2.36]	60 [2.36]	60 [2.36]	70 [2.76]	60 [2.36]	60 [2.36]	80 [3.15]	65 [2.56]	65 [2.56]
0 ... 300	60 [2.36]	60 [2.36]	60 [2.36]	60 [2.36]	60 [2.36]	60 [2.36]	70 [2.76]	60 [2.36]	60 [2.36]	80 [3.15]	65 [2.56]	65 [2.56]
0 ... 400	60 [2.36]	60 [2.36]	60 [2.36]	60 [2.36]	60 [2.36]	60 [2.36]	70 [2.76]	60 [2.36]	60 [2.36]	80 [3.15]	65 [2.56]	65 [2.56]
0 ... 500	120 [4.72]	85 [3.35]	85 [3.35]	120 [4.72]	85 [3.35]	85 [3.35]	90 [3.54]	60 [2.36]	60 [2.36]	135 [5.31]	100 [3.94]	100 [3.94]
0 ... 600	100 [3.94]	85 [3.35]	85 [3.35]	100 [3.94]	85 [3.35]	85 [3.35]	70 [2.76]	60 [2.36]	60 [2.36]	115 [4.53]	100 [3.94]	100 [3.94]
0 ... 700	115 [4.53]	90 [3.54]	85 [3.35]	100 [3.94]	80 [3.15]	80 [3.15]	75 [2.95]	60 [2.36]	60 [2.36]	125 [4.92]	115 [4.53]	100 [3.94]
50 ... 650	110 [4.33]	85 [3.35]	85 [3.35]	100 [3.94]	75 [2.95]	75 [2.95]	75 [2.95]	60 [2.36]	60 [2.36]	125 [4.92]	100 [3.94]	100 [3.94]

Design	1			2 and 3			4 and 5			S		
Stem diameter in mm [in]	6 [0.24]	8 [0.32]	≥ 10 [0.40]	6 [0.24]	8 [0.32]	≥ 10 [0.40]	6 [0.24]	8 [0.32]	≥ 10 [0.40]	6 [0.24]	8 [0.32]	≥ 10 [0.40]
Scale range in °C	Minimum insertion length in mm [in]											
<b>Model F73 (capillary ≤ 5 m [16 ft])</b>												
-200 ... +50	95 [3.74]	70 [2.76]	70 [2.76]	90 [3.54]	65 [2.56]	65 [2.56]	80 [3.15]	60 [2.36]	60 [2.36]	-	-	-
-200 ... +100	95 [3.74]	70 [2.76]	70 [2.76]	90 [3.54]	65 [2.56]	65 [2.56]	80 [3.15]	60 [2.36]	60 [2.36]	-	-	-
-110 ... +50	60 [2.36]	60 [2.36]	60 [2.36]	60 [2.36]	60 [2.36]	60 [2.36]	75 [2.95]	60 [2.36]	60 [2.36]	-	-	-
-80 ... +60	115 [4.53]	80 [3.15]	70 [2.76]	110 [4.33]	75 [2.95]	65 [2.56]	100 [3.94]	65 [2.56]	60 [2.36]	-	-	-
-60 ... +40	135 [5.31]	95 [3.74]	70 [2.76]	130 [5.12]	90 [3.54]	65 [2.56]	120 [4.72]	80 [3.15]	60 [2.36]	-	-	-
-50 ... +50	70 [2.76]	60 [2.36]	60 [2.36]	70 [2.76]	60 [2.36]	60 [2.36]	80 [3.15]	60 [2.36]	60 [2.36]	-	-	-
-50 ... +100	70 [2.76]	60 [2.36]	60 [2.36]	70 [2.76]	60 [2.36]	60 [2.36]	80 [3.15]	60 [2.36]	60 [2.36]	-	-	-
-50 ... +150	60 [2.36]	60 [2.36]	60 [2.36]	60 [2.36]	60 [2.36]	60 [2.36]	70 [2.76]	60 [2.36]	60 [2.36]	-	-	-
-40 ... +60	135 [5.31]	95 [3.74]	70 [2.76]	130 [5.12]	90 [3.54]	65 [2.56]	120 [4.72]	80 [3.15]	60 [2.36]	-	-	-
-30 ... +50	145 [5.71]	105 [4.13]	75 [2.95]	140 [5.51]	100 [3.94]	70 [2.76]	130 [5.12]	90 [3.54]	60 [2.36]	-	-	-
-20 ... +40	140 [5.51]	80 [3.15]	60 [2.36]	140 [5.51]	80 [3.15]	60 [2.36]	150 [5.91]	90 [3.54]	60 [2.36]	-	-	-
-20 ... +60	145 [5.71]	105 [4.13]	75 [2.95]	140 [5.51]	100 [3.94]	70 [2.76]	130 [5.12]	90 [3.54]	60 [2.36]	-	-	-
-20 ... +80	135 [5.31]	95 [3.74]	70 [2.76]	130 [5.12]	90 [3.54]	65 [2.56]	120 [4.72]	80 [3.15]	60 [2.36]	-	-	-
-20 ... +180	60 [2.36]	60 [2.36]	60 [2.36]	60 [2.36]	60 [2.36]	60 [2.36]	75 [2.95]	60 [2.36]	60 [2.36]	-	-	-
-10 ... +100	85 [3.35]	60 [2.36]	60 [2.36]	85 [3.35]	60 [2.36]	60 [2.36]	95 [3.74]	60 [2.36]	60 [2.36]	-	-	-
0 ... 60	125 [4.92]	70 [2.76]	60 [2.36]	125 [4.92]	75 [2.95]	60 [2.36]	135 [5.31]	85 [3.35]	60 [2.36]	-	-	-
0 ... 80	155 [6.10]	105 [4.13]	75 [2.95]	150 [5.91]	100 [3.94]	70 [2.76]	140 [5.51]	90 [3.54]	60 [2.36]	-	-	-
0 ... 100	135 [5.31]	95 [3.74]	70 [2.76]	130 [5.12]	90 [3.54]	65 [2.56]	120 [4.72]	80 [3.15]	60 [2.36]	-	-	-
0 ... 120	125 [4.92]	85 [3.35]	70 [2.76]	120 [4.72]	80 [3.15]	65 [2.56]	110 [4.33]	70 [2.76]	60 [2.36]	-	-	-
0 ... 160	115 [4.53]	80 [3.15]	70 [2.76]	110 [4.33]	75 [2.95]	65 [2.56]	100 [3.94]	65 [2.56]	60 [2.36]	-	-	-
0 ... 200	105 [4.13]	80 [3.15]	70 [2.76]	100 [3.94]	75 [2.95]	65 [2.56]	90 [3.54]	65 [2.56]	60 [2.36]	-	-	-
0 ... 250	105 [4.13]	70 [2.76]	70 [2.76]	100 [3.94]	65 [2.56]	65 [2.56]	90 [3.54]	60 [2.36]	60 [2.36]	-	-	-
0 ... 300	95 [3.74]	70 [2.76]	70 [2.76]	90 [3.54]	65 [2.56]	65 [2.56]	80 [3.15]	60 [2.36]	60 [2.36]	-	-	-
0 ... 400	95 [3.74]	70 [2.76]	70 [2.76]	90 [3.54]	65 [2.56]	65 [2.56]	80 [3.15]	60 [2.36]	60 [2.36]	-	-	-
0 ... 500	115 [4.53]	70 [2.76]	70 [2.76]	110 [4.33]	65 [2.56]	65 [2.56]	100 [3.94]	60 [2.36]	60 [2.36]	-	-	-
0 ... 600	95 [3.74]	70 [2.76]	70 [2.76]	90 [3.54]	65 [2.56]	65 [2.56]	80 [3.15]	60 [2.36]	60 [2.36]	-	-	-
0 ... 700	70 [2.76]	60 [2.36]	60 [2.36]	70 [2.76]	60 [2.36]	60 [2.36]	80 [3.15]	60 [2.36]	60 [2.36]	-	-	-
50 ... 650	70 [2.76]	60 [2.36]	60 [2.36]	75 [2.95]	60 [2.36]	60 [2.36]	85 [3.35]	60 [2.36]	60 [2.36]	-	-	-



Design	1			2 and 3			4 and 5			S		
Stem diameter in mm [in]	6 [0.24]	8 [0.32]	≥ 10 [0.40]	6 [0.24]	8 [0.32]	≥ 10 [0.40]	6 [0.24]	8 [0.32]	≥ 10 [0.40]	6 [0.24]	8 [0.32]	≥ 10 [0.40]
Scale range in °C	Minimum insertion length in mm [in]											
<b>Model F73 (capillary &gt; 5 ... 10 m [16 ... 33 ft])</b>												
-200 ... +50	115 [4.53]	80 [3.15]	70 [2.76]	110 [4.33]	75 [2.95]	65 [2.56]	100 [3.94]	65 [2.56]	60 [2.36]	-	-	-
-200 ... +100	115 [4.53]	80 [3.15]	70 [2.76]	110 [4.33]	75 [2.95]	65 [2.56]	100 [3.94]	65 [2.56]	60 [2.36]	-	-	-
-110 ... +50	80 [3.15]	60 [2.36]	60 [2.36]	80 [3.15]	60 [2.36]	60 [2.36]	90 [3.54]	60 [2.36]	60 [2.36]	-	-	-
-80 ... +60	135 [5.31]	95 [3.74]	70 [2.76]	130 [5.12]	90 [3.54]	65 [2.56]	120 [4.72]	80 [3.15]	60 [2.36]	-	-	-
-60 ... +40	155 [6.10]	105 [4.13]	75 [2.95]	150 [5.91]	100 [3.94]	70 [2.76]	140 [5.51]	90 [3.54]	60 [2.36]	-	-	-
-50 ... +50	105 [4.13]	60 [2.36]	60 [2.36]	105 [4.13]	60 [2.36]	60 [2.36]	115 [4.53]	75 [2.95]	60 [2.36]	-	-	-
-50 ... +100	90 [3.54]	60 [2.36]	60 [2.36]	90 [3.54]	60 [2.36]	60 [2.36]	100 [3.94]	60 [2.36]	60 [2.36]	-	-	-
-50 ... +150	75 [2.95]	60 [2.36]	60 [2.36]	80 [3.15]	60 [2.36]	60 [2.36]	90 [3.54]	60 [2.36]	60 [2.36]	-	-	-
-40 ... +60	155 [6.10]	105 [4.13]	75 [2.95]	150 [5.91]	100 [3.94]	70 [2.76]	140 [5.51]	90 [3.54]	60 [2.36]	-	-	-
-30 ... +50	165 [6.50]	115 [4.53]	85 [3.35]	160 [6.30]	110 [4.33]	80 [3.15]	150 [5.91]	100 [3.94]	70 [2.76]	-	-	-
-20 ... +40	140 [5.51]	80 [3.15]	60 [2.36]	140 [5.51]	80 [3.15]	60 [2.36]	150 [5.91]	90 [3.54]	60 [2.36]			
-20 ... +60	175 [6.89]	115 [4.53]	85 [3.35]	170 [6.69]	110 [4.33]	80 [3.15]	160 [6.30]	100 [3.94]	70 [2.76]	-	-	-
-20 ... +80	155 [6.10]	105 [4.13]	75 [2.95]	150 [5.91]	100 [3.94]	70 [2.76]	140 [5.51]	90 [3.54]	60 [2.36]	-	-	-
-20 ... +180	80 [3.15]	60 [2.36]	60 [2.36]	85 [3.35]	60 [2.36]	60 [2.36]	90 [3.54]	60 [2.36]	60 [2.36]	-	-	-
-10 ... +100	105 [4.13]	60 [2.36]	60 [2.36]	105 [4.13]	60 [2.36]	60 [2.36]	115 [4.53]	75 [2.95]	60 [2.36]	-	-	-
0 ... 60	140 [5.51]	80 [3.15]	60 [2.36]	140 [5.51]	85 [3.35]	60 [2.36]	155 [6.10]	95 [3.74]	60 [2.36]	-	-	-
0 ... 80	175 [6.89]	115 [4.53]	85 [3.35]	170 [6.69]	110 [4.33]	80 [3.15]	160 [6.30]	100 [3.94]	70 [2.76]	-	-	-
0 ... 100	155 [6.10]	105 [4.13]	85 [3.35]	150 [5.91]	100 [3.94]	80 [3.15]	140 [5.51]	90 [3.54]	70 [2.76]	-	-	-
0 ... 120	145 [5.71]	105 [4.13]	75 [2.95]	140 [5.51]	100 [3.94]	70 [2.76]	130 [5.12]	90 [3.54]	60 [2.36]	-	-	-
0 ... 160	135 [5.31]	95 [3.74]	70 [2.76]	130 [5.12]	90 [3.54]	65 [2.56]	120 [4.72]	80 [3.15]	60 [2.36]	-	-	-
0 ... 200	125 [4.92]	85 [3.35]	70 [2.76]	120 [4.72]	80 [3.15]	65 [2.56]	110 [4.33]	70 [2.76]	60 [2.36]	-	-	-
0 ... 250	125 [4.92]	85 [3.35]	70 [2.76]	120 [4.72]	80 [3.15]	65 [2.56]	110 [4.33]	70 [2.76]	60 [2.36]	-	-	-
0 ... 300	115 [4.53]	80 [3.15]	70 [2.76]	110 [4.33]	75 [2.95]	65 [2.56]	100 [3.94]	65 [2.56]	60 [2.36]	-	-	-
0 ... 400	115 [4.53]	80 [3.15]	70 [2.76]	110 [4.33]	75 [2.95]	65 [2.56]	100 [3.94]	65 [2.56]	60 [2.36]	-	-	-
0 ... 500	135 [5.31]	95 [3.74]	70 [2.76]	130 [5.12]	90 [3.54]	65 [2.56]	120 [4.72]	80 [3.15]	60 [2.36]	-	-	-
0 ... 600	115 [4.53]	80 [3.15]	70 [2.76]	110 [4.33]	75 [2.95]	65 [2.56]	100 [3.94]	65 [2.56]	60 [2.36]	-	-	-
0 ... 700	95 [3.74]	60 [2.36]	60 [2.36]	95 [3.74]	60 [2.36]	60 [2.36]	105 [4.13]	60 [2.36]	60 [2.36]	-	-	-
50 ... 650	100 [3.94]	60 [2.36]	60 [2.36]	100 [3.94]	60 [2.36]	60 [2.36]	110 [4.33]	65 [2.56]	60 [2.36]	-	-	-



Design	1			2 and 3			4 and 5			S		
Stem diameter in mm [in]	6 [0.24]	8 [0.32]	≥ 10 [0.40]	6 [0.24]	8 [0.32]	≥ 10 [0.40]	6 [0.24]	8 [0.32]	≥ 10 [0.40]	6 [0.24]	8 [0.32]	≥ 10 [0.40]
Scale range in °C	Minimum insertion length in mm [in]											
<b>Model F73 (capillary &gt; 10 ... 15 m [33 ... 49 ft])</b>												
-200 ... +50	135 [5.31]	95 [3.74]	70 [2.76]	130 [5.12]	90 [3.54]	65 [2.56]	120 [4.72]	80 [3.15]	60 [2.36]	-	-	-
-200 ... +100	135 [5.31]	95 [3.74]	70 [2.76]	130 [5.12]	90 [3.54]	65 [2.56]	120 [4.72]	80 [3.15]	60 [2.36]	-	-	-
-110 ... +50	105 [4.13]	60 [2.36]	60 [2.36]	105 [4.13]	60 [2.36]	60 [2.36]	115 [4.53]	75 [2.95]	60 [2.36]	-	-	-
-80 ... +60	155 [6.10]	105 [4.13]	85 [3.35]	150 [5.91]	100 [3.94]	80 [3.15]	140 [5.51]	90 [3.54]	70 [2.76]	-	-	-
-60 ... +40	175 [6.89]	115 [4.53]	85 [3.35]	170 [6.69]	110 [4.33]	80 [3.15]	160 [6.30]	100 [3.94]	70 [2.76]	-	-	-
-50 ... +50	130 [5.12]	75 [2.95]	60 [2.36]	130 [5.12]	75 [2.95]	60 [2.36]	140 [5.51]	85 [3.35]	60 [2.36]	-	-	-
-50 ... +100	115 [4.53]	65 [2.56]	60 [2.36]	115 [4.53]	70 [2.76]	60 [2.36]	125 [4.92]	80 [3.15]	60 [2.36]	-	-	-
-50 ... +150	100 [3.94]	60 [2.36]	60 [2.36]	105 [4.13]	60 [2.36]	60 [2.36]	115 [4.53]	70 [2.76]	60 [2.36]	-	-	-
-30 ... +50	185 [7.28]	125 [4.92]	95 [3.74]	180 [7.09]	120 [4.72]	90 [3.54]	170 [6.69]	110 [4.33]	80 [3.15]	-	-	-
-20 ... +40	160 [6.30]	95 [3.74]	60 [2.36]	165 [6.50]	95 [3.74]	60 [2.36]	175 [6.89]	105 [4.13]	70 [2.76]	-	-	-
-20 ... +60	185 [7.28]	125 [4.92]	95 [3.74]	180 [7.09]	120 [4.72]	90 [3.54]	170 [6.69]	110 [4.33]	80 [3.15]	-	-	-
-20 ... +80	175 [6.89]	115 [4.53]	85 [3.35]	170 [6.69]	110 [4.33]	80 [3.15]	160 [6.30]	100 [3.94]	70 [2.76]	-	-	-
-20 ... +180	105 [4.13]	60 [2.36]	60 [2.36]	105 [4.13]	60 [2.36]	60 [2.36]	115 [4.53]	75 [2.95]	60 [2.36]	-	-	-
-10 ... +100	125 [4.92]	75 [2.95]	60 [2.36]	130 [5.12]	75 [2.95]	60 [2.36]	140 [5.51]	85 [3.35]	60 [2.36]	-	-	-
0 ... 60	165 [6.50]	95 [3.74]	60 [2.36]	165 [6.50]	95 [3.74]	60 [2.36]	175 [6.89]	105 [4.13]	70 [2.76]	-	-	-
0 ... 80	195 [7.68]	125 [4.92]	95 [3.74]	190 [7.48]	120 [4.72]	90 [3.54]	180 [7.09]	110 [4.33]	80 [3.15]	-	-	-
0 ... 100	175 [6.89]	115 [4.53]	85 [3.35]	170 [6.69]	110 [4.33]	80 [3.15]	160 [6.30]	100 [3.94]	70 [2.76]	-	-	-
0 ... 120	165 [6.50]	115 [4.53]	85 [3.35]	160 [6.30]	110 [4.33]	80 [3.15]	150 [5.91]	100 [3.94]	70 [2.76]	-	-	-
0 ... 160	155 [6.10]	105 [4.13]	85 [3.35]	150 [5.91]	100 [3.94]	80 [3.15]	140 [5.51]	90 [3.54]	70 [2.76]	-	-	-
0 ... 200	145 [5.71]	105 [4.13]	75 [2.95]	140 [5.51]	100 [3.94]	70 [2.76]	130 [5.12]	90 [3.54]	60 [2.36]	-	-	-
0 ... 250	145 [5.71]	95 [3.74]	75 [2.95]	140 [5.51]	90 [3.54]	70 [2.76]	130 [5.12]	80 [3.15]	60 [2.36]	-	-	-
0 ... 300	135 [5.31]	95 [3.74]	70 [2.76]	130 [5.12]	90 [3.54]	65 [2.56]	120 [4.72]	80 [3.15]	60 [2.36]	-	-	-
0 ... 400	135 [5.31]	95 [3.74]	70 [2.76]	130 [5.12]	90 [3.54]	65 [2.56]	120 [4.72]	80 [3.15]	60 [2.36]	-	-	-
0 ... 500	135 [5.31]	95 [3.74]	70 [2.76]	130 [5.12]	90 [3.54]	65 [2.56]	120 [4.72]	80 [3.15]	60 [2.36]	-	-	-
0 ... 600	135 [5.31]	95 [3.74]	70 [2.76]	130 [5.12]	90 [3.54]	65 [2.56]	120 [4.72]	80 [3.15]	60 [2.36]	-	-	-
0 ... 700	130 [5.12]	60 [2.36]	60 [2.36]	130 [5.12]	70 [2.76]	60 [2.36]	140 [5.51]	75 [2.95]	60 [2.36]	-	-	-
50 ... 650	135 [5.31]	65 [2.56]	60 [2.36]	135 [5.31]	70 [2.76]	60 [2.36]	145 [5.71]	80 [3.15]	60 [2.36]	-	-	-

The technical feasibility of minimum insertion lengths in combination with capillary > 15 m [49 ft] should be tested beforehand.

## Optional approvals

Logo	Description	Country
	<b>EU declaration of conformity</b> ATEX directive Hazardous areas Zone 1 gas            II 2G Ex h IIC T6 ... T1 Gb X Zone 21 dust        II 2D Ex h IIIC T85 ... T450 °C Db X	European Union
	<b>EAC</b> EMC directive Hazardous areas Zone 1 gas            I Ex h IIC T6 ... T1 Gb X Zone 21 dust        Ex h T85°C ... T450°C Db X	Eurasian Economic Community
-	<b>MChS</b> Permission for commissioning	Kazakhstan
-	<b>PAC Ukraine</b> Metrology, measurement technology	Ukraine

## Certificates

Certificates	
<b>Certificates</b>	<ul style="list-style-type: none"> <li>■ 2.2 test report</li> <li>■ 3.1 inspection certificate</li> </ul>
<b>Calibration</b>	DAkKS calibration certificate

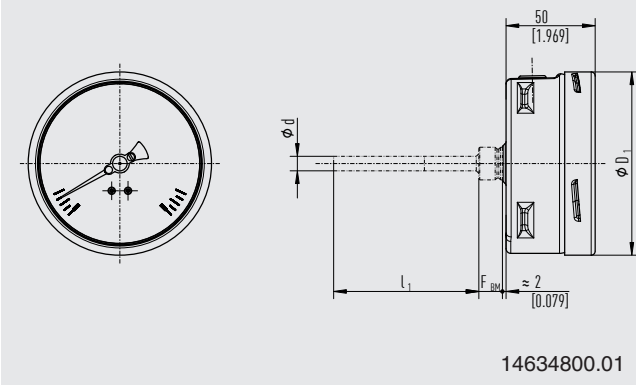
→ For approvals and certificates, see website

# Connection locations

## Legend

- G Connection thread
- i Thread length (incl. collar)
- $\varnothing d_4$  Diameter of the sealing collar
- SW Spanner width
- $\varnothing d$  Stem diameter
- $l_1$  Insertion length
- $l_2$  Active length
- F xx Clearance to stem
- LF Capillary length

Model A73, back mount

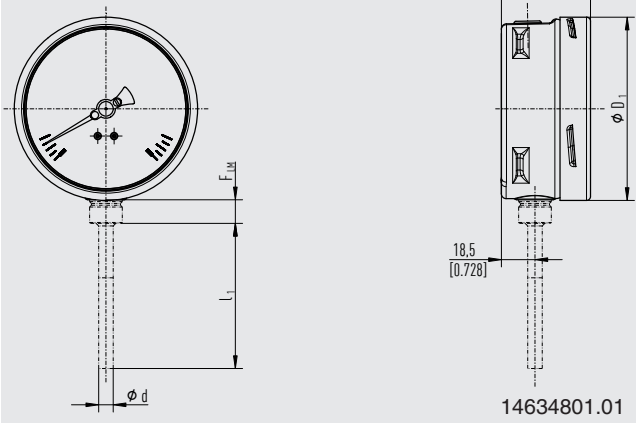


NS	$\varnothing D_1$ in mm [in]
100	101 [3.98]
160	161 [6.34]

Design	$F_{BM}^{1)}$	Connection
S	30 [1.18]	G 1/2 - male
1	13 [0.51]	$\varnothing 18$
2	35 [1.38]	G 1/2 - male
3	15 [0.59]	G 1/2 - female
4	53 [2.09]	G 1/2 - male
5	50 [1.97]	G 1/2 - male
7	53 [2.09]	G 1/2 - male

1) Additionally + 40 mm [1.57 in] for instruments with end of scale range:  $\geq 300$  °C [572 °F], start of scale range: -200 °C [-328 °F]

Model R73, lower mount

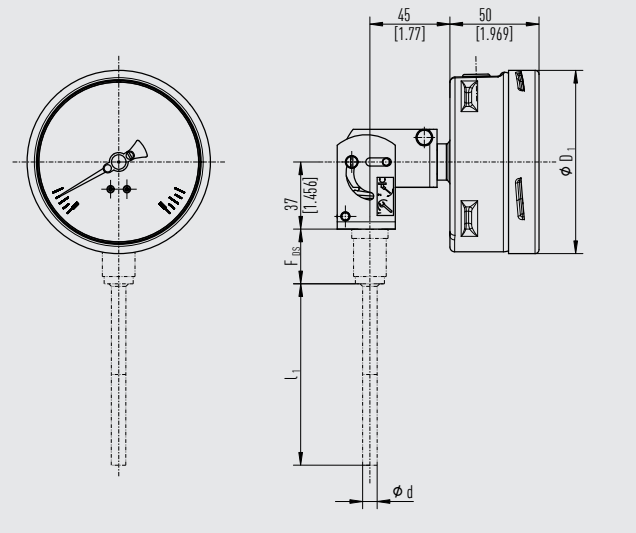


NS	$\varnothing D_1$ in mm [in]
100	101 [3.98]
160	161 [6.34]

Design	$F_{LM}^{1)}$	Connection
S	30 [1.18]	G 1/2 - male
1	13 [0.51]	$\varnothing 18$
2	35 [1.38]	G 1/2 - male
3	15 [0.59]	G 1/2 - female
4	53 [2.09]	G 1/2 - male
5	50 [1.97]	G 1/2 - male
7	53 [2.09]	G 1/2 - male

1) Additionally + 40 mm [1.57 in] for instruments with end of scale range:  $\geq 300$  °C [572 °F], start of scale range: -200 °C [-328 °F]

Model S73, back mount, adjustable stem and dial



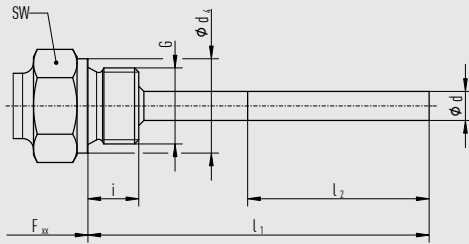
NS	$\varnothing D_1$ in mm [in]
100	101 [3.98]
160	161 [6.34]

Design	$F_{DS}$	Connection
S	17.5 [0.69]	G ½ - male
1	28 [1.10]	Ø 18
2	38 [1.50]	G ½ - male
3	30 [1.18]	G ½ - female
4	68 [2.68]	G ½ - male
	68 [2.68]	G ½ - male
5	55 [2.68]	G ½ - male
7	68 [2.68]	G ½ - male

Connection designs for back mount, lower mount and back mount adjustable stem and dial

Design: standard (male threaded connection)

3073050.07

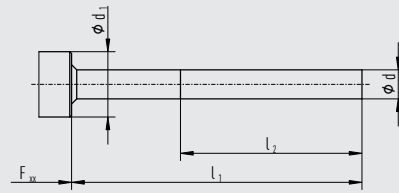


Process connection	Dimensions in mm [in]		
G	i	SW	d4
G 1/2 B	14 [0.55]	27 [1.06]	26 [1.02]
G 3/4 B	16 [0.63]	32 [1.26]	32 [1.26]
1/2 NPT	19 [0.75]	22 [0.87]	-
3/4 NPT	20 [0.79]	30 [1.18]	-

Standard insertion length  $l_1 = 63, 100, 160, 200, 250$  mm  
 [2.48, 3.94, 6.3, 7.87, 9.84 in]

Design 1, plain stem (without thread)

3073050.07

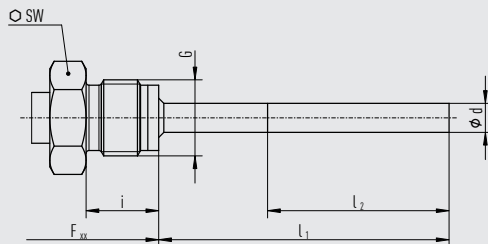


Dimensions in mm [in]
$\varnothing d1$
18 [0.7]

Standard insertion = 100, 140, 200, 240, 290 mm  
 length  $l_1$  [3.94, 5.12, 7.87, 9.45, 11.42 in]  
 Basis for design 4, compression fitting

Design 2, rotatable connection

3073050.07

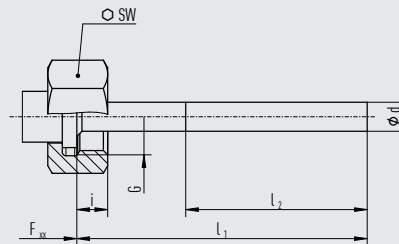


Process connection	Dimensions in mm [in]	
G	i	SW
G 1/2 B	20 [0.79]	27 [1.06]
M18 x 1.5	15 [0.59]	22 [0.89]

Standard insertion length  $l_1 = 80, 140, 180, 230$  mm  
 [3.15, 5.12, 7.09, 9.06 in]

Design 3, union nut

3073050.07

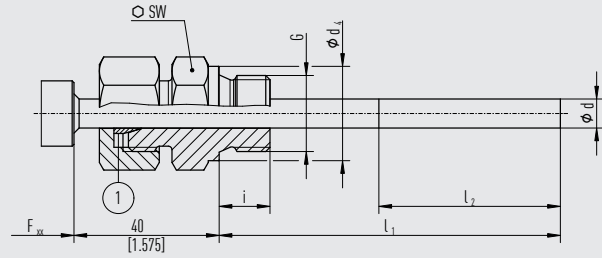


Process connection	Dimensions in mm [in]	
G	i	SW
G 1/2 B	14 [0.55]	27 [1.06]
G 3/4 B	16 [0.63]	32 [1.26]
M24 x 1.5	13.5 [0.53]	32 [1.26]

Standard insertion length  $l_1 = 89, 126, 186, 226, 276$  mm  
 [3.50, 4.96, 7.32, 8.9, 10.87 in]

Design 4, compression fitting sliding on stem

3073050.07



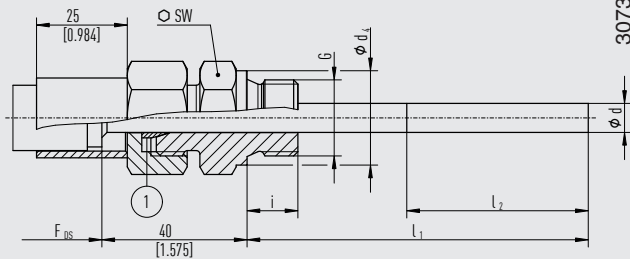
① Sealing ring

Process connection	Dimensions in mm [in]		
	i	SW	Ø d <sub>4</sub>
G ½ B	14 [0.55]	27 [1.06]	26 [1.02]
G ¾ B	16 [0.63]	32 [1.26]	32 [1.26]
M18 x 1.5	12 [0.47]	24 [0.95]	23 [0.91]
½ NPT	19 [0.75]	22 [0.87]	-
¾ NPT	20 [0.79]	30 [1.18]	-

Insertion length  $l_1$  = variable

Design 4.1, compression fitting with support tube sliding on stem

3073050.07



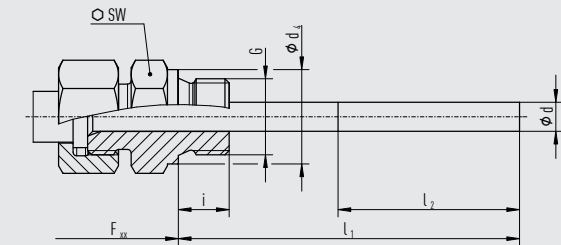
① Sealing ring

Process connection	Dimensions in mm [in]		
	i	SW	Ø d <sub>4</sub>
G ½ B	14 [0.55]	27 [1.06]	26 [1.02]
G ¾ B	16 [0.63]	32 [1.26]	32 [1.26]
M18 x 1.5	12 [0.47]	24 [0.95]	23 [0.91]
½ NPT	19 [0.75]	22 [0.87]	-
¾ NPT	20 [0.79]	30 [1.18]	-

Insertion length  $l_1$  = variable

Design 5, union nut and loose threaded connection

3073050.07

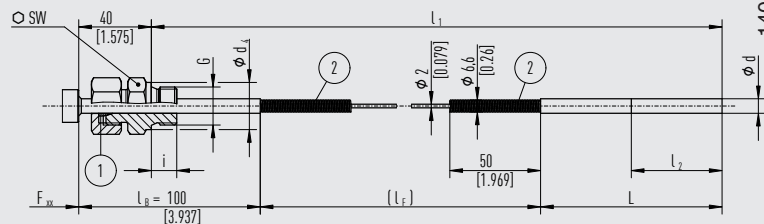


Process connection	Dimensions in mm [in]		
	i	SW	d <sub>4</sub>
G ½ B	14 [0.55]	27 [1.06]	26 [1.02]
G ¾ B	16 [0.63]	32 [1.26]	32 [1.26]
M18 x 1.5	12 [0.47]	24 [0.95]	23 [0.91]
½ NPT	19 [0.75]	22 [0.87]	-
¾ NPT	20 [0.79]	30 [1.18]	-

Insertion length  $l_1$  = variable

Design 7, compression fitting on the case

14042662.04



① Sealing ring

② Bend protection (not applicable to Ø d = 6 mm [0.24 in])

Process connection	Dimensions in mm [in]		
	i	SW	d <sub>4</sub>
G ½ B	14 [0.55]	27 [1.06]	26 [1.02]
G ¾ B	16 [0.63]	32 [1.26]	32 [1.26]
M18 x 1.5	12 [0.47]	24 [0.95]	23 [0.91]
½ NPT	19 [0.75]	22 [0.87]	-
¾ NPT	20 [0.79]	30 [1.18]	-

Insertion length  $l_1$  =  $\geq 400$  mm [15.75 in]

Probe length L = 200 mm [7.87 in] with Ø d = 6 mm

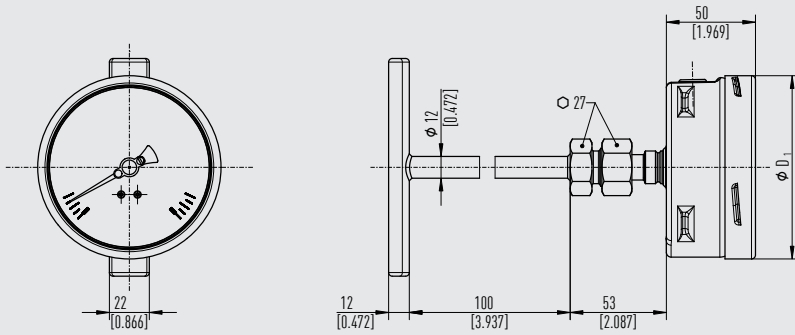
170 mm [6.69 in] with Ø d = 8 mm

100 mm [3.94 in] with Ø d  $\geq 10$  mm

$l_B$  = 100 mm [3.94 in], others on request

**Back mount, lower mount and back mount adjustable stem and dial connection designs with contact bulb**

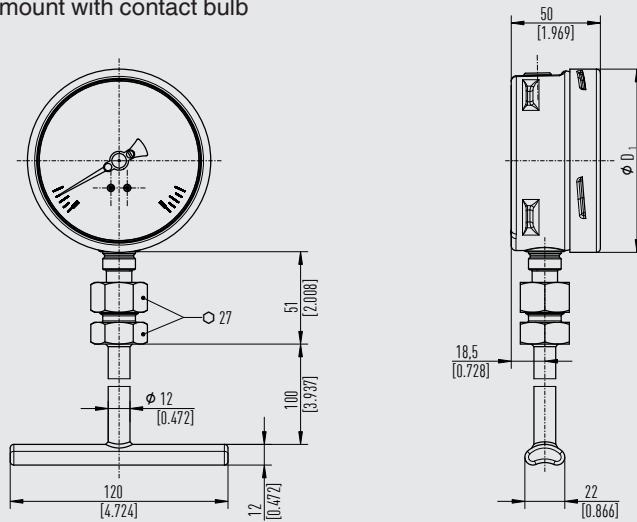
Back mount with contact bulb



3107884.06

Nominal size	Ø D <sub>1</sub> in mm [in]
100	101 [3.98]
160	161 [6.34]

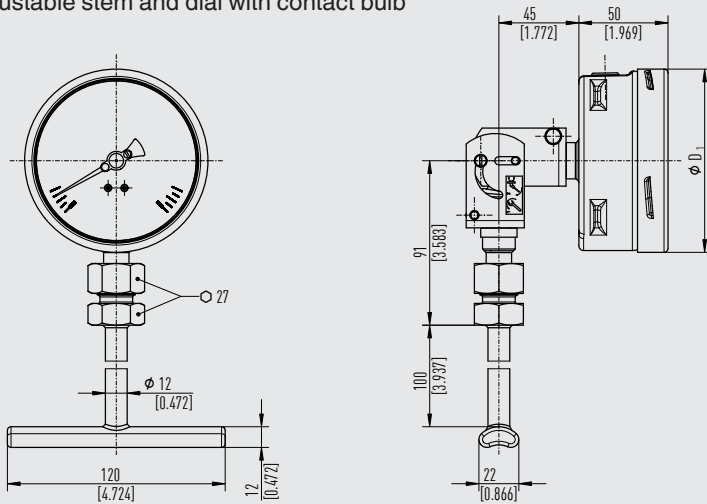
Lower mount with contact bulb



3107892.01

Nominal size	Ø D <sub>1</sub> in mm [in]
100	101 [3.98]
160	161 [6.34]

### Adjustable stem and dial with contact bulb

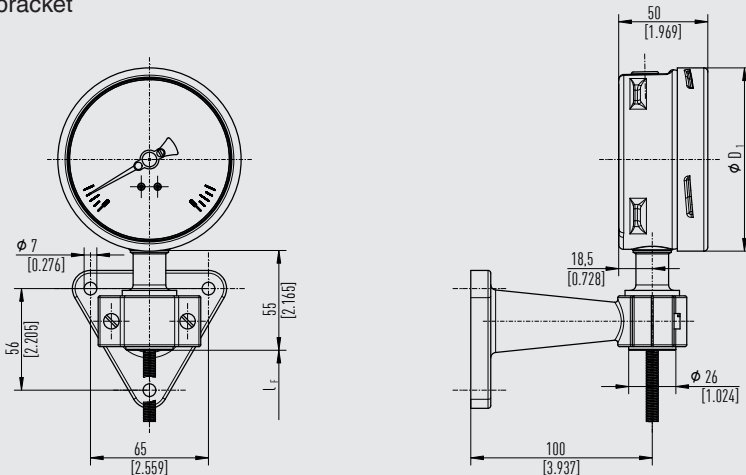


3107906.01

Nominal size	Ø D <sub>1</sub> in mm [in]
100	101 [3.98]
160	161 [6.34]

### Capillary instruments F73 with case mounting options

Model F73, capillary instrument, lower mount with instrument mounting bracket



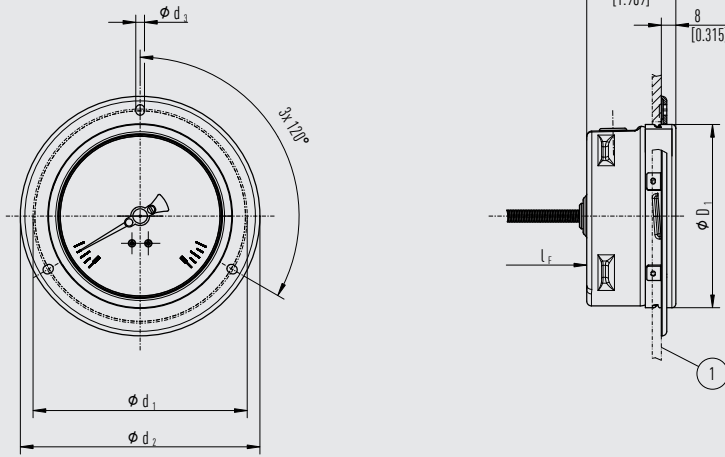
3073270.02

Nominal size	Ø D <sub>1</sub> in mm [in]
100	101 [3.98]
160	161 [6.34]



Model F73.100, capillary instrument, back mount with panel mounting flange

3073289.03

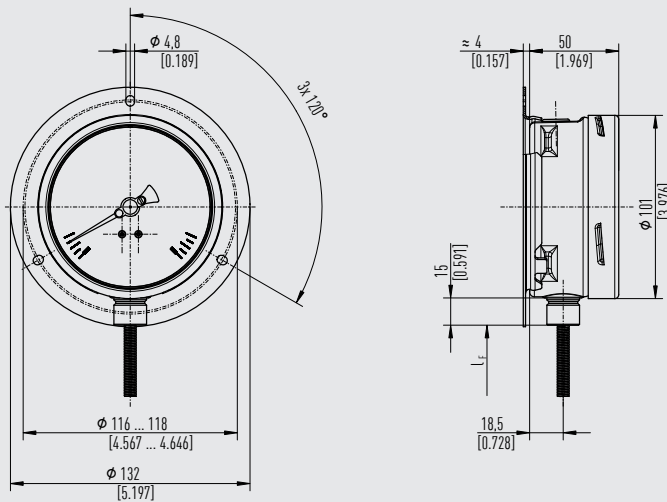


① Control panel

Nominal size	$\phi D_1$ in mm [in]	$\phi d_1$ in mm [in]	$\phi d_2$ in mm [in]	$\phi d_3$ in mm [in] <sup>1)</sup>
100	101 [3.98]	116 ... 118 [4.57 ... 4.65]	132 [5.2]	4.8 [0.19]
160	161 [6.34]	178 [7.01]	196 [7.72]	5.8 [0.23]

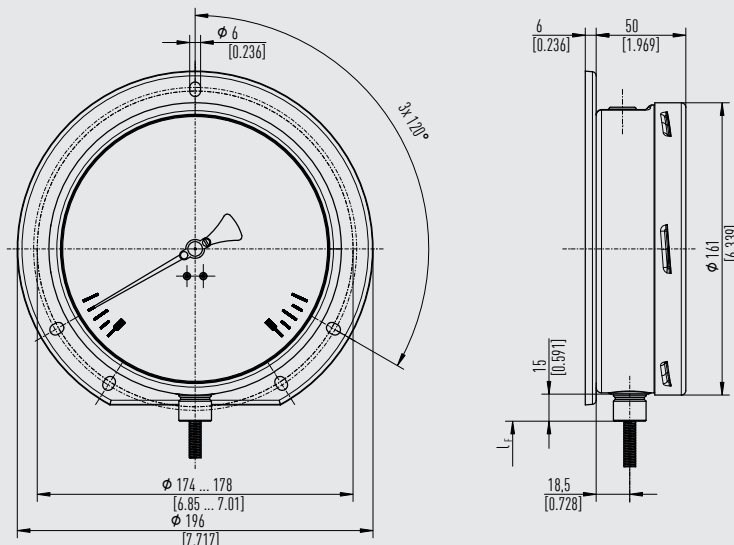
Model F73.100 capillary instrument, lower mount, with surface mounting flange

14126562.02



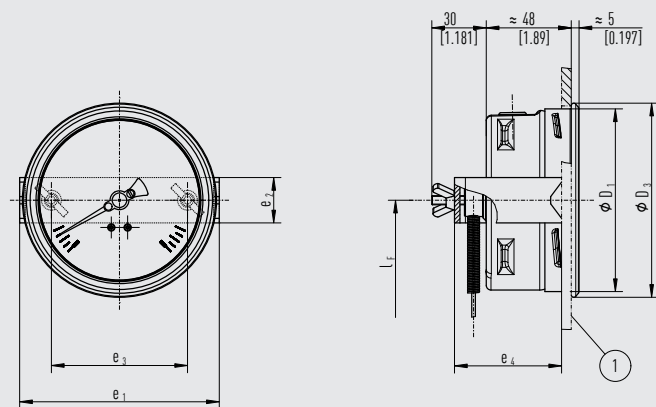
Model F73.160 capillary instrument, lower mount with surface mounting flange

3073165.04



Model F73 capillary instrument, back mount with triangular profile ring and yoke

3073297.02

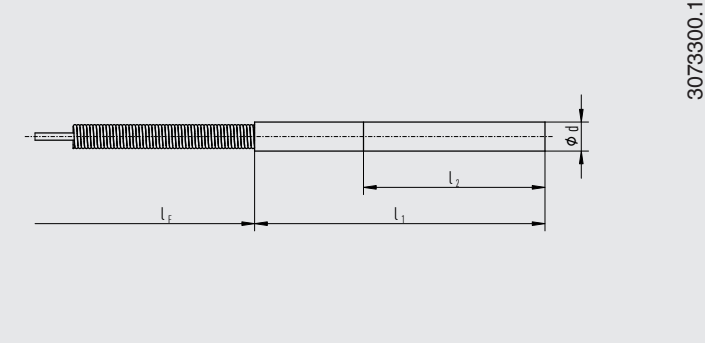


① Control panel

Nomi- nal size	Ø D <sub>1</sub> in mm [in]	Ø D <sub>3</sub> in mm [in]	e <sub>1</sub>	e <sub>2</sub>	e <sub>3</sub>	e <sub>4</sub>
100	101 [3.98]	4.8 [0.19]	110 [4.33]	25 [0.98]	75 [2.95]	59 [2.32]
160	161 [6.34]	5.8 [0.23]	173 [6.81]	25 [0.98]	126 [4.96]	73 [2.87]

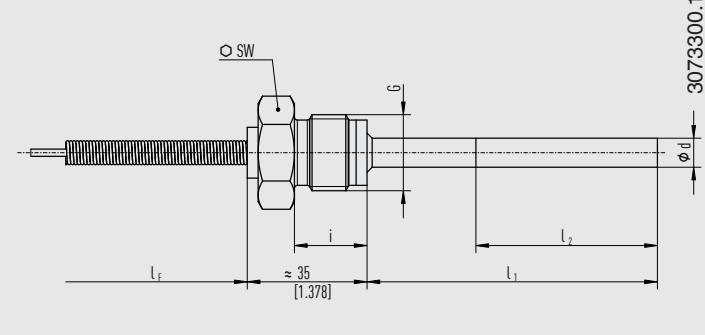
## Connection designs for capillary instruments

Design 1, plain stem (without thread)



3073300.14

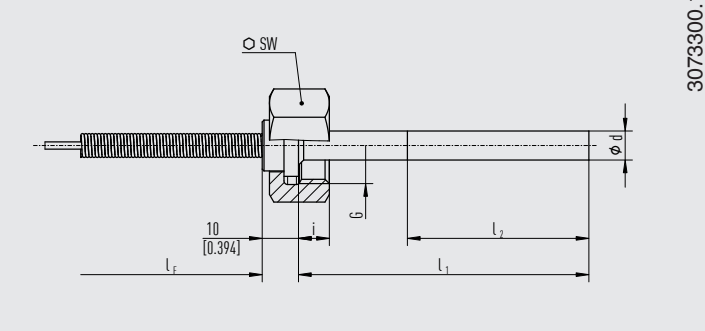
Design 2, rotatable connection



3073300.14

Process connection		Dimensions in mm [in]
G	i	SW
G 1/2 B	20 [0.787]	27 [1.06]
M8 x 1.5	15 [0.59]	22 [0.87]

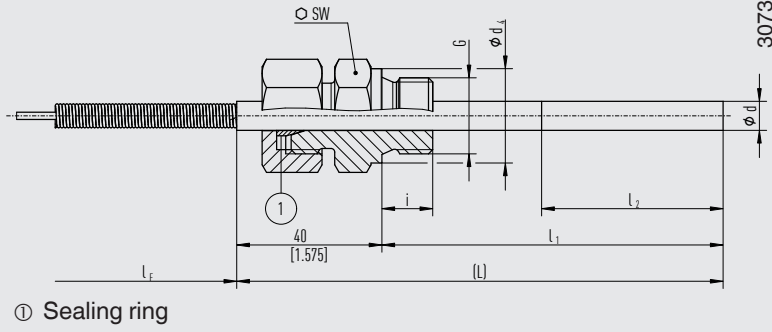
Design 3, union nut



3073300.14

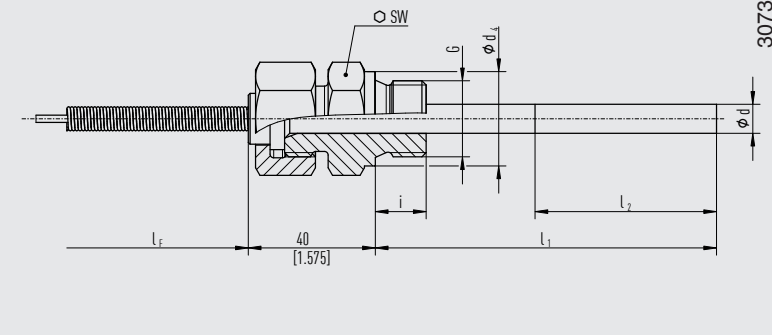
Process connection		Dimensions in mm
G	i	SW
G 1/2 B	14 [0.55]	27 [1.06]
G 3/4 B	16 [0.63]	32 [1.26]
M24 x 1.5	13.5 [0.53]	24 [1.26]

Design 4, compression fitting sliding on stem



Process connection		Dimensions in mm	
G	i	SW	d <sub>4</sub>
G ½ B	14 [0.55]	27 [1.06]	26 [1.02]
G ¾ B	16 [0.63]	32 [1.26]	32 [1.26]
M18 x 1.5	12 [0.47]	24 [0.95]	23 [0.91]
½ NPT	19 [0.75]	22 [0.87]	-
¾ NPT	20 [0.79]	30 [1.18]	-

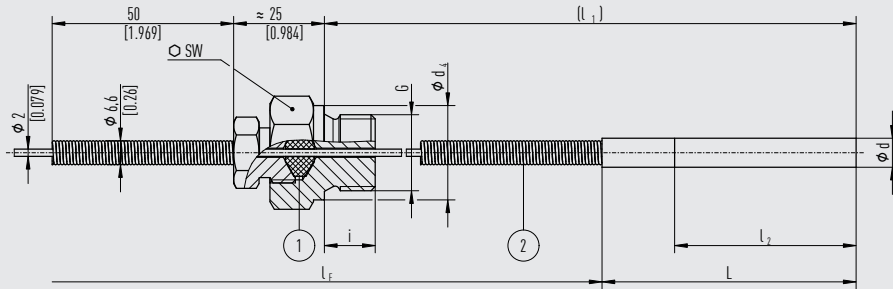
Design 5, union nut and loose threaded connection



Process connection		Dimensions in mm	
G	i	SW	Ø d <sub>4</sub>
G ½ B	14 [0.55]	27 [1.06]	26 [1.02]
G ¾ B	16 [0.63]	32 [1.26]	32 [1.26]
M18 x 1.5	12 [0.47]	24 [0.95]	23 [0.91]
½ NPT	19 [0.75]	22 [0.87]	-
¾ NPT	20 [0.79]	30 [1.18]	-

Design 6.1, compression fitting sliding on capillary (compression fitting is leak-proof)

307330.14



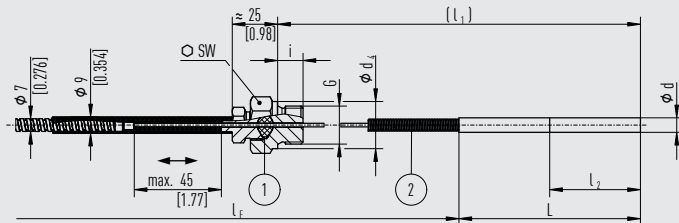
- ① Sealing ring
- ② Bend protection spring (not applicable to  $d = 6 \text{ mm}$  [0.24 in])

Process connection		Dimensions in mm	
G	i	SW	$\varnothing d_4$
G 1/2 B	14 [0.55]	27 [1.06]	26 [1.02]
G 3/4 B	16 [0.63]	32 [1.26]	32 [1.26]
1/2 NPT	19 [0.75]	22 [0.87]	-
3/4 NPT	20 [0.79]	30 [1.18]	-

Insertion length  $l_1$  = Variable  
 Probe length L = 200 mm [7.87 in] with  $\varnothing d = 6 \text{ mm}$  [0.24 in]  
 170 mm [6.69 in] with  $\varnothing d = 8 \text{ mm}$  [0.32 in]  
 100 mm [3.94 in] with  $\varnothing d \geq 10 \text{ mm}$  [0.39 in]

Design 6.2, compression fitting sliding on capillary with spiral protective sleeve (compression fitting is leak-proof)

307330.14



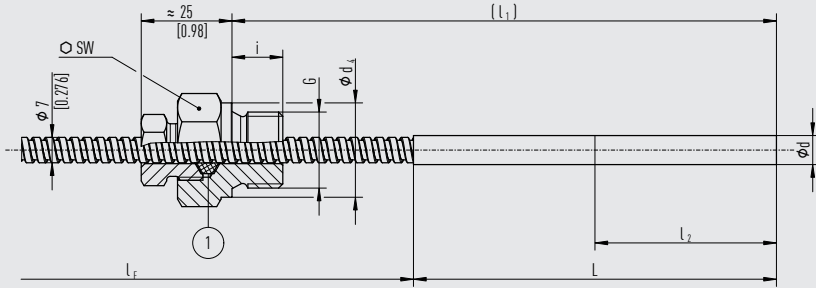
- ① Sealing ring
- ② Bend protection spring (not applicable to  $d = 6 \text{ mm}$  [0.24 in])

Process connection		Dimensions in mm	
G	i	SW	$d_4$
G 1/2 B	14 [0.55]	27 [1.06]	26 [1.02]
G 3/4 B	16 [0.60]	32 [1.26]	32 [1.26]
1/2 NPT	19 [0.75]	22 [0.87]	-
3/4 NPT	20 [0.79]	30 [1.18]	-

Insertion length  $l_1$  =  $\geq 300 \text{ mm}$  [11.81 in] with  $\varnothing d = 6 \text{ mm}$  [0.24 in] or  $8 \text{ mm}$  [0.32 in]  
 $\geq 200 \text{ mm}$  [7.87 in] with  $\varnothing d \geq 10 \text{ mm}$  [0.39 in]  
 Probe length L = 200 mm [7.87 in] with  $\varnothing d = 6 \text{ mm}$  [0.24 in]  
 170 mm [6.69 in] with  $\varnothing d = 8 \text{ mm}$  [0.32 in]  
 100 mm [3.94 in] with  $\varnothing d \geq 10 \text{ mm}$  [0.39 in]

Design 6.3, compression fitting sliding on spiral protective sleeve  
(compression fitting is not leak-proof)

307330.14



① Ferrule

Process connection		Dimensions in mm [in]	
G	i	SW	d <sub>4</sub>
G ½ B	14 [0.55]	27 [1.06]	26 [1.02]
G ¾ B	16 [0.63]	32 [1.26]	32 [1.26]
½ NPT	19 [0.75]	22 [0.87]	-
¾ NPT	20 [0.79]	30 [1.18]	-

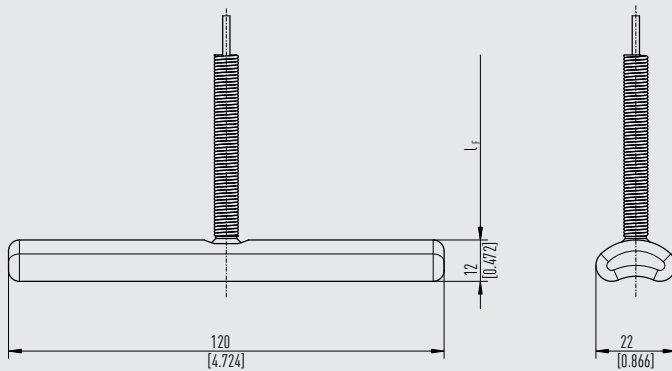
Insertion length  $l_1$  = Variable  
 Probe length L = 200 mm [7.87 in] with  $\varnothing d = 6$  mm [0.24 in]  
 170 mm [6.69 in] with  $\varnothing d = 8$  mm [0.39 in]  
 100 mm [3.94 in] with  $\varnothing d \geq 10$  mm [0.39 in]

**Note for designs 6.1, 6.2, 6.3:**

With some combinations, the active length  $l_2$  can correspond to the probe length L.  
 If an additional compression fitting is desired, the probe length L increases by at least 60 mm [2.36 in].

Design: contact bulb

307330.14



### Ordering information

Model / Nominal size / Scale range / Connection design / Process connection / Length  $l_1$  /  
Capillary length  $l_F$  / Options



© 02/2006 WIKA Alexander Wiegand SE & Co. KG, all rights reserved.  
The specifications given in this document represent the state of engineering at the time of publishing.  
We reserve the right to make modifications to the specifications and materials.  
In case of a different interpretation of the translated and the English data sheet, the English wording shall prevail.

