

Ventilation duct probe for air quality, VOC Model A2G-80

WIKA data sheet SP 69.01



Applications

- For measuring the room air quality
The greater the output signal of the probe (0 ... 10 V), the worse the air quality.
- Mixed-gas sensors detect gases and vapours which can be oxidised (burned): Body odours, tobacco smoke, extracts from materials (furniture, carpets, paint coatings, adhesives, etc.)
- In applications where air quality is essential, e.g. buildings, offices, classrooms, kitchens etc.

Special features

- Presetting of the set point for the required air quality during installation.
- Low consumption reduces energy costs



Ventilation duct probe for air quality, model A2G-80

Description

The model A2G-80 ventilation duct probe is used for the detection of mixed gases in air ducts. The measurement of the air quality is made using a mixed gas/VOC sensor which determines the duct air quality on the basis of volatile organic substances. These are gases which can be perceived by the human olfactory organ, such as body odour, tobacco smoke, evaporation from materials (furniture, carpets, paint, glue etc.).

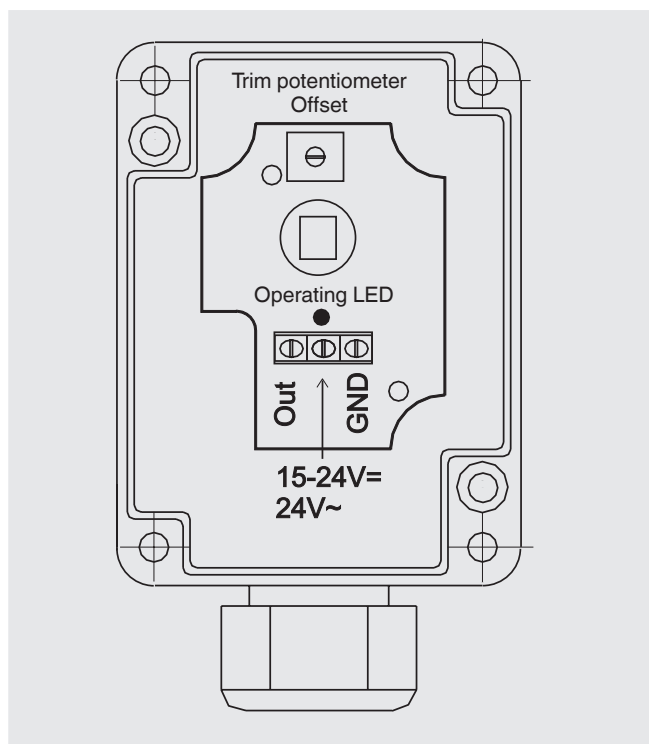
The A2G-80 is ideally suited as an indicator for ventilation and air-conditioning systems and is also designed for connection to control and indication systems.

The offset values can be adjusted via a setting potentiometer on the instrument. This ventilation duct probe features an impact and shatterproof case.

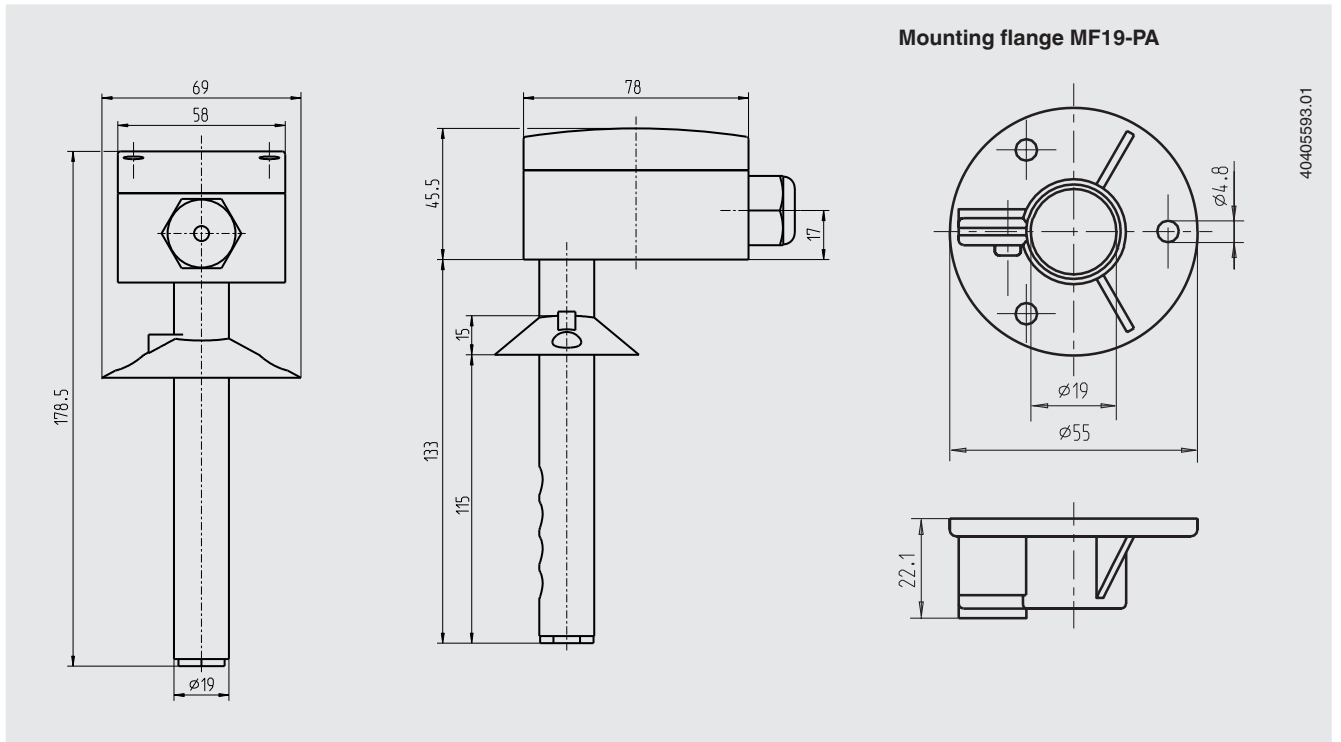
Specifications

Ventilation duct probe for air quality, model A2G-80	
Power consumption	1.2 W/2.2 VA
Output signal	0 ... 10 V, load min. 10 k Ω
Warm-up time	30 minutes
Permissible ambient temperature	-20 ... +50 °C
Relative humidity	Max. 85 % r. h., non-condensing
Ingress protection	IP20
Weight	150 g

Electrical connection



Dimensions in mm



Approvals

Logo	Description	Country
CE	EU declaration of conformity <ul style="list-style-type: none"> ■ EMC directive ■ RoHS conformity ■ WEEE directive 	European Union

Certificates (option)

- 2.2 test report

Approvals and certificates, see website

Scope of delivery

- Digital ventilation duct temperature probe
- Mounting flange

Ordering information

Model / Certificates / Options

© 08/2008 WIKA Alexander Wiegand SE & Co. KG, all rights reserved.
The specifications given in this document represent the state of engineering at the time of publishing.
We reserve the right to make modifications to the specifications and materials.



WIKAL Alexander Wiegand SE & Co. KG
Alexander-Wiegand-Straße 30
63911 Klingenberg/Germany
Tel. +49 9372 132-0
Fax +49 9372 132-406
info@wika.de
www.wika.de