

Additional operating instructions
Zusatz-Betriebsanleitung
Mode d'emploi complémentaires
Manual de instrucciones adicional

Additional operating instructions for hazardous areas (Ex d)
Models TC82, TC83

EN

Zusatz-Betriebsanleitung für explosionsgefährdete Bereiche (Ex d)
Typen TC82, TC83

DE

Mode d'emploi complémentaires concernant les zones explosives
(Ex d), types TC82, TC83

FR

Manual de instrucciones adicional para zonas potencialmente
explosivas (Ex d) Modelos TC82, TC83

ES



BVS 20 ATEX E 044 X
IECEx BVS 20.0033X



Models TC82-F



Models TC83-F



EN	Additional operating instructions models TC82, TC83 (Ex d)	Page	3 - 14
DE	Zusatz-Betriebsanleitung Typen TC82, TC83 (Ex d)	Seite	15 - 26
FR	Mode d'emploi complémentaires types TC82, TC83 (Ex d)	Page	27 - 38
ES	Manual de instrucciones adicional TC82, TC83 (Ex d)	Página	39 - 50

© 09/2020 WIKA Alexander Wiegand SE & Co. KG
 All rights reserved. / Alle Rechte vorbehalten.
 WIKA® is a registered trademark in various countries.
 WIKA® ist eine geschützte Marke in verschiedenen Ländern.

Prior to starting any work, read the operating instructions.
 Keep for later use.

Vor Beginn aller Arbeiten Betriebsanleitung lesen.
 Zum späteren Gebrauch aufbewahren.

Lire le mode d'emploi avant de commencer toute opération.
 A conserver pour une utilisation ultérieure.

Leer el manual de instrucciones antes de comenzar cualquier trabajo.
 Guardar el manual para una eventual consulta.

Contents

1. Ex marking	4
2. Safety	5
3. Commissioning and operation	7
4. Special conditions for use (X conditions)	14
Annex 1: EU declaration of conformity	51
Annex 2: WIKA ATEX and IECEx enclosure and device list	52

Declarations of conformity can be found online at www.wika.com.

1. Ex marking

Supplementary documentation:

- ▶ This additional information for hazardous areas applies in conjunction with the operating instructions "High-temperature thermocouples, models TC80, TC82, TC83 Calitum[®], TC84" (article number 14486177).

EN

1. Ex marking



DANGER!

Danger to life due to loss of explosion protection

Non-observance of these instructions and their contents may result in the loss of explosion protection.

- ▶ Observe the safety instructions in this chapter and further explosion instructions in these operating instructions.
- ▶ Follow the requirements of the ATEX directive.
- ▶ Observe the information given in the applicable type examination certificate and the relevant regulations for installation and use in hazardous areas (e.g. IEC 60079-0, IEC 60079-1, IEC 60079-10 and IEC 60079-14).

Check whether the classification is suitable for the application. Observe the relevant national regulations.

With case and connection terminals

ATEX: II 2/-G Ex db IIC T6 ... T1 Gb/-

IECEX: Ex db IIC T6 ... T1 Gb/-

With separately certified transmitter

II 2/-G Ex db IIC Gb

Ex db IIC Gb/-

Variant	Electrical data	Temperatures		Marking ²⁾
		Ambient ¹⁾	Temperature class	
Variant 1: Empty enclosure	U _{max} = 30 V	-40 ... +85 °C -60 ... +85 °C	T5 ... T1	II 2/-G Ex db IIC T5-T1 Gb/-
		-40 ... +80 °C -60 ... +80 °C	T6	II 2/-G Ex db IIC T6 Gb/-
Variant 2: Empty enclosure + electronic	U _{max} = 30 V P _{max} = 2 W	-40 ... +85 °C -60 ... +85 °C	T4 ... T1	II 2/-G Ex db IIC T4-T1 Gb/-
		-40 ... +75 °C -60 ... +75 °C	T5	II 2/-G Ex db IIC T5 Gb/-
		-40 ... +55 °C -60 ... +55 °C	T6	II 2/-G Ex db IIC T6 Gb/-
Variant 3: Transmitter	See transmitter ³⁾	See transmitter ³⁾	See transmitter ³⁾	II 2/-G Ex db IIC Gb/-

1) For variant 1 and 2: The low ambient temperature -40 °C applies to models with Limatherm or Rosemount cases. The low ambient temperature of either -40 °C or -60 °C applies to models with WIKA connection head series 1/4000, 5/6000, 7/8000. For explanation of symbols for low temperature range see chapter 2.4 "Labelling, safety marks"

2) The temperature class depends on the ambient temperature.

3) The parameters for "Variant 3: Transmitter" have to be taken out of the related manual.

When there is a built-in transmitter and/or a digital display, the special conditions from the type examination certificate (see chapter 4 “Special conditions for use (X conditions)”) apply.

2. Safety

2.1 Explanation of symbols



DANGER!

... indicates a potentially dangerous situation in the hazardous area that can result in serious injury or death, if not avoided.

2.2 Intended use

The thermometers described here are suitable for temperature measurement in hazardous areas like e.g. sulphur recovery units (SRU).

The electrical thermometer model TC8x-F is made of a module (model TC8x-M), which is fitted to an Ex d certified case. The module consists of the flange assembly with ceramic tubes, all parts of electrical insulation of the thermocouple wires and a gas-tight bushing to limit the flameproof area.

The sensing part of the module is made of ceramic insulated thermocouple wires.

The thermometer/module will be mounted to an Ex d or Ex db certified case manufactured by WIKA series 1/4000F, 7/8000 or 5/6000. The case and covers are made of stainless steel or aluminum. The cover could be optionally provided with a glass lens (window).

Alternatively, the thermometer will be mounted to other certified cases or assemblies as listed in the “WIKA ATEX and IECEx Ex-d housing and device list” (article no. 14405410.02).

3 different variants are available:

- Variant 1: The thermometer is fitted to a certified empty case in the type of protection “flameproof enclosure”. Terminals are mounted inside the case.
- Variant 2: The thermometer is fitted to a certified empty enclosure in the type of protection “flameproof enclosure”. Electronic equipment is mounted inside the case.
- Variant 3: The thermometer is fitted to a certified apparatus (transmitter) in the type of protection “flameproof enclosure”. The thermometer is marked II 2/-G Ex db IIC Gb/-.

2. Safety

The non-observance of the instructions for use in hazardous areas can lead to the loss of the explosion protection. Adhere to the following limit values and instructions (see data sheet).

EN Possible sensor measuring ranges:

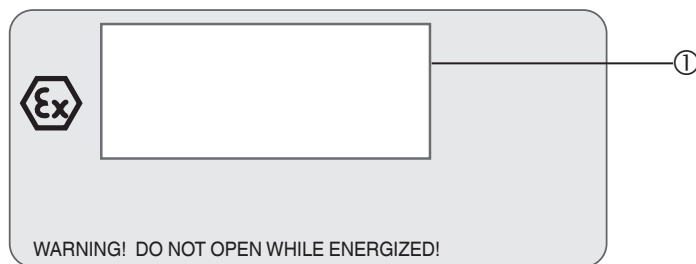
-40 ... +1,700 °C

2.3 Personnel qualification

The skilled electrical personnel must have knowledge of ignition protection types, regulations and provisions for equipment in hazardous areas.

2.4 Labelling, safety marks

Additional product label (example)



① Approval-related data



Symbol for the usability of the instrument in ambient temperatures down to -60 °C

3. Commissioning and operation



DANGER!

Danger to life from explosion

Through working in flammable atmospheres, there is a risk of explosion which can cause death.

- ▶ Only carry out set-up work in non-hazardous environments!
- ▶ Do not open the instrument while under voltage.



DANGER!

Danger to life from explosion

By using a measuring insert without a suitable connection head (case), an explosion risk occurs which can cause fatalities.

- ▶ Only use the measuring insert in the connection head designed for it.



DANGER!

Danger to life due to loss of explosion protection

If the allowable thread gaps and the corresponding tightening torques are not observed, this can lead to a loss of the explosion protection.

- ▶ Ensure the number of engaged threads in accordance with chapter 3.8 and the tightening torques in accordance with chapter 3.2.

Observe the special conditions (see chapter 4 “Special conditions for use (X conditions)”).

3.1 Mechanical mounting

With pre-assembled connection heads, the direct threaded connection of the thermometer to the connection head or case must not be twisted or opened. Any alignment of the case may only be made using the optional “nipple-union-nipple” neck tube.

Certified and listed field cases (variant 3) should only be fitted and installed by a specialist trained to the latest technological standards.

3. Commissioning and operation

3.2 Tightening torques

EN



Connection head, 1/4000, 5/6000, 7/8000 and others per explosion protection certificate.

The connection between connection head and neck tube must not be disconnected by the user. A conduit mounted by the user must be sealed from the housing within 2" [50.8 mm]. For cable glands mounted by the user, the instruction manual of the cable gland manufacturer must be observed.

The connection head may only be aligned via the flange position.

Thread	Tightening torques in Nm	
	Connection head material	
	Aluminium	Stainless steel
1/2 NPT	30	30
1/4 NPT	20	20
3/4 NPT	40	40
M20 x 1.5 with counter nut	37	37

- Only ever screw in, or unscrew, the instrument via the spanner flats and to the prescribed torque using an appropriate tool.
- The correct torque depends on the dimensions of the connection thread and the seal used (form/material).
- NPT (tapered) threads are marked with "NPT" on the thread. Parallel threads do not have any marking.
- Screwing or unscrewing the connection head is not permitted.
- When screwing in the instrument, please observe that the threads are not skewed.
- If M20 x 1.5 threads are loosened to the head with a counter nut, the IP degree of protection can no longer be guaranteed.
- NPT threads to the head must not be loosened.
- A PTFE/PFA lubricant is applied at the NPT threads to the thermowell/protection tube. This must be renewed when the thread has been loosened.
- Assure that the purge gas connection is tighten and no gas can escape, so that there is no carry-through between zones.

14302226.04 10/2024 EN/DE/FR/ES

3. Commissioning and operation

For fitting, the following permissible thread gap for electrical equipment for gas hazardous areas must be maintained:

Thread gap for parallel threads (IEC/EN 60079-1, table 4):

Screw-in depth:

Housing volume $\leq 100 \text{ cm}^3$: $\geq 5 \text{ mm}$ [0.20 in]

Housing volume $> 100 \text{ cm}^3$: $\geq 8 \text{ mm}$ [0.32 in]

At least 5 threads engaged

Thread gap for tapered threads (IEC/EN 60079-1, table 5):

Threads present on each part ≥ 5

At least 5 threads engaged

EN

3.3 Locking screw



Always tighten the locking screw to prevent unintended opening of the head with flameproof enclosure.

Before opening the head, always loosen the locking screw sufficiently.

3.4 Electrical mounting

- For the installation of the thermometer, only components (e.g. cables, cable glands, etc.) permitted for “flameproof enclosure” may be used.
- Using a transmitter/digital display (option):
 - Observe the contents of these operating instructions and those of the transmitter/digital display (see scope of delivery).
 - Observe the relevant regulations for installation and use of electrical systems, and also the regulations and guidelines for explosion protection.
- The temperature resistance of the connecting cables, the connection heads, the cable entries and if necessary the blanking connectors shall be at least as high as the maximum permissible ambient temperature and shall be at least as low as the minimum permissible ambient temperature.
- Do not fit any batteries or capacitors into the flameproof case.
- Mounting within metallic enclosures:

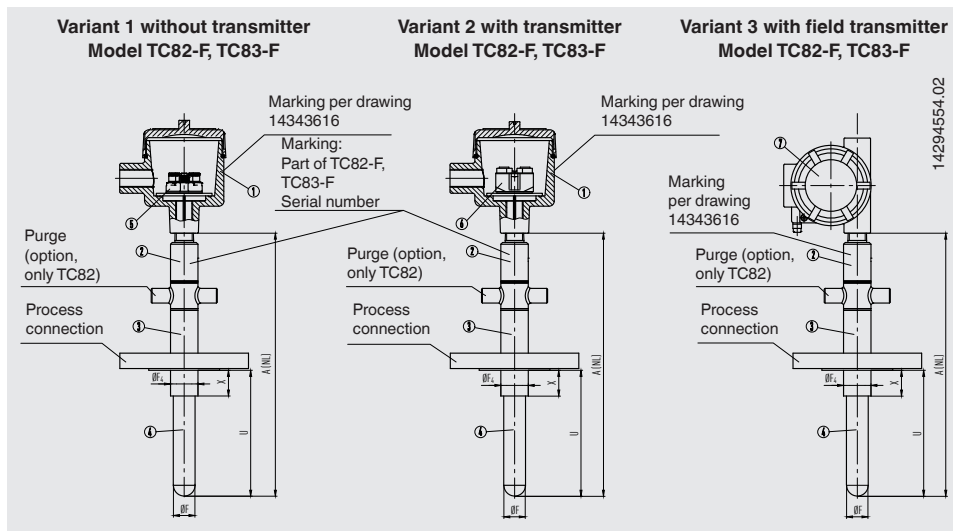
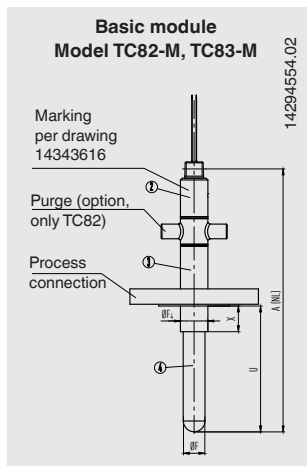
The case must be grounded against electromagnetic fields and electrostatic charge. It must not be connected separately to the equipotential bonding system. It is sufficient if the process connection has a solid and secured contact with the metal vessel or its structural components or pipelines, so long as these components are connected to the equipotential bonding system.
- Mounting within non-metal vessels:

All electrically conductive thermometer components within the hazardous area must be provided with equipotential bonding.

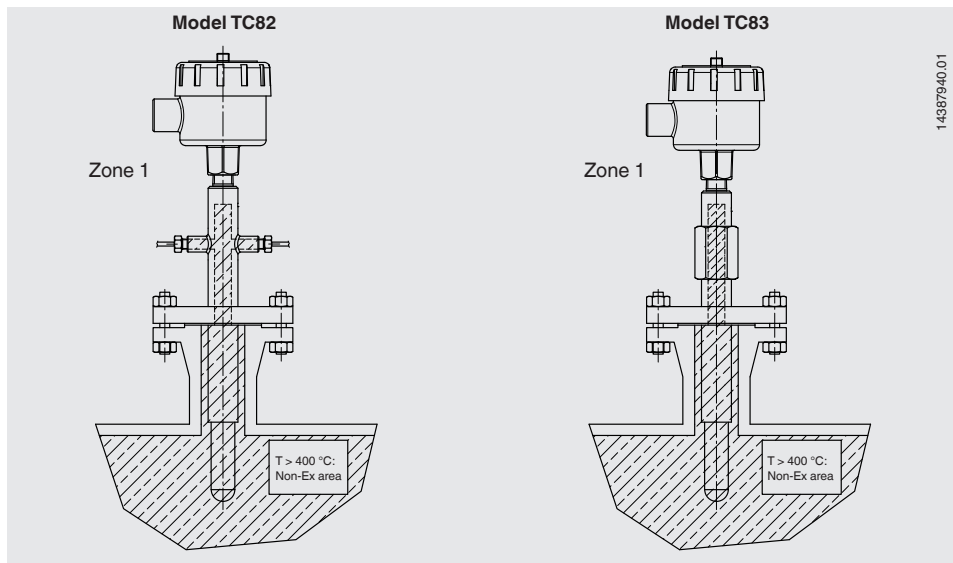
3. Commissioning and operation

3.5 Overview of temperature zones and safety-related instructions for the different variants

EN



3. Commissioning and operation



3.5.1 Variant 1

The thermometer is fitted to a certified enclosure with “flameproof enclosure” ignition protection type, which has a terminal block built into it.

Detection and conversion of the thermoelectric voltage by means of an electronic module outside of the hazardous area.

Marking: II 2/-G Ex db IIC T6 ... T1 Gb/-

The flameproof case or the connection head is in zone 1 (or zone 2). The sensor is located in a non Ex zone.

A heating in the connection head does not occur with variant 1. However, an impermissible heat reflux from the process which can exceed the operating temperature of the case or the temperature class, must be prevented through suitable heat insulation or a suitably long neck tube.

3.5.2 Variant 2

The thermometer is fitted to a certified enclosure with “flameproof enclosure” ignition protection type, which has an electronic assembly built into it.

The signal is a current signal (4 ... 20 mA), voltage signal (0 ... 10 V) or fieldbus signal, which is generated from a head-mounted transmitter.

3. Commissioning and operation

Marking: II 2/-G Ex db IIC T6 ... T1 Gb/-

The flameproof case or the connection head is in zone 1 (or zone 2). The sensor is located in a non Ex zone.

EN

For all WIKA connection heads with built-in WIKA temperature transmitters, the following interrelation is valid:

The temperature increase on the surface of the connection head or case is less than 25 K if the following conditions are observed: Power supply U_B maximum DC 30 V when the transmitter is operated in a current limitation of 22.5 mA.

A heating in the connection head can occur with variant 2 through faulty electronics. The permissible ambient temperatures depend on the case used and any additionally fitted head-mounted transmitter.

However, an impermissible heat reflux from the process which can exceed the operating temperature of the case or the temperature class, must be prevented through suitable heat insulation or a suitably long neck tube.

3.5.3 Variant 3

The thermometer is fitted to certified equipment (transmitter) with an ignition protection type of "flameproof enclosure".

The signal is a current signal (4 ... 20 mA), voltage signal (0 ... 10 V) or fieldbus signal, which is generated by an ATEX/IECEX Ex d certified field transmitter.

Only field transmitters listed by name in the appendix of the Ex d certificate may be used.

Marking: II 2/-G Ex db IIC Gb/-

The flameproof case or the connection head is in zone 1 (or zone 2). The sensor is located in a non Ex zone.

The main marking for models TC82/TC83 is found on the certified connection case or Ex d field transmitter.

3.6 Electrical mounting

Using a transmitter/digital display (option):

Observe the contents of the operating instructions for the transmitter/digital display (see scope of delivery).

The permissible ambient temperature ranges can be taken from the corresponding operating instructions.

Observe the special conditions (see chapter 4 "Special conditions for use (X conditions)", point 3).

Electrical connection values

■ Variant 1

U_{\max} = DC 30 V (depending on the operating system)

Use in methane atmospheres

As a result of the higher Minimum Experimental Safe Gap (MESG) and Minimum Ignition Current (MIC) of methane, the instruments can also be used in hazardous gas atmospheres caused by this.

■ Variant 2

U_{\max} = DC 30 V

P_{\max} = 2 W

■ Variant 3

U_{\max} = depending on the transmitter/digital display

P_{\max} = in the case: depending on the transmitter/digital display

3.7 Temperature carry-over from the process

Prevent any heat reflux from the process!

Observe the special conditions (see chapter 4 "Special conditions for use (X conditions)").

3.8 Thread gap

For fitting, the following permitted thread gaps for electrical equipment for gas hazardous areas must be maintained:

■ Thread gap for parallel threads (IEC/EN 60079-1, table 4):

Case volumes $\leq 100 \text{ cm}^3$: $\geq 5 \text{ mm}$

Case volumes $> 100 \text{ cm}^3$: $\geq 8 \text{ mm}$

There must be at least 5 threads engaged

■ Thread gap for tapered threads (IEC/EN 60079-1, table 5):

on each component ≥ 5

There must be at least 4.5 threads engaged

4. Special conditions for use (X conditions)

4. Special conditions for use (X conditions)

- 1) The thermometers shall be fitted to Ex d certified enclosures series 1/4000 F, series 7/8000 or series 5/6000, manufactured by WIKA. Alternatively, the thermometers shall be fitted to other certified enclosures as listed in the “WIKA ATEX and IECEx Ex d enclosure and device list” (article no.: 14405410.02)
- 2) A prohibited heat reflow from the process has to be prevented for instance by heat insulation or using an extended neck tube. A prohibited heat reflow occurs if the heat out of the process exceeds the service temperature of the enclosure or the temperature class.
- 3) The widths of the flameproof joint of this apparatus are in parts longer and its gaps are in parts smaller than required by Table 3 of IEC/EN 60079-1:2014.
- 4) The conditions for safe use and the installation instructions listed in the certificate of the equipment (transmitter) and empty enclosures must be carefully observed, too.

EN

Inhalt

1. Ex-Kennzeichnung	16
2. Sicherheit	17
3. Inbetriebnahme und Betrieb	19
4. Besondere Bedingungen für die Verwendung (X-Conditions)	26
Annex 1: EU declaration of conformity	51
Annex 2: WIKA ATEX and IECEx enclosure and device list	52

Konformitätserklärungen finden Sie online unter www.wika.de.

1. Ex-Kennzeichnung

Ergänzende Dokumentation:

- ▶ Diese Zusatzinformation für explosionsgefährdete Bereiche gilt im Zusammenhang mit der Betriebsanleitung „Hochtemperatur-Thermoelemente, Typen TC80, TC82, TC83 Calitum®, TC84“ (Artikelnummer 14486177).

DE

1. Ex-Kennzeichnung



GEFAHR!

Lebensgefahr durch Verlust des Explosionsschutzes

Die Nichtbeachtung dieser Inhalte und Anweisungen kann zum Verlust des Explosionsschutzes führen.

- ▶ Sicherheitshinweise in diesem Kapitel sowie weitere Explosionshinweise in dieser Betriebsanleitung beachten.
- ▶ Die Anforderungen der ATEX-Richtlinie beachten.
- ▶ Die Angaben der geltenden Baumusterprüfbescheinigung sowie die jeweiligen Vorschriften zur Installation und Einsatz in explosionsgefährdeten Bereichen (z. B. IEC 60079-0, IEC 60079-1, IEC 60079-10 und IEC 60079-14) einhalten.

Überprüfen, ob die Klassifizierung für den Einsatzfall geeignet ist. Die jeweiligen nationalen Vorschriften und Bestimmungen beachten.

Mit Gehäuse und Anschlussklemmen Mit separat zertifiziertem Transmitter

ATEX: II 2/-G Ex db IIC T6 ... T1 Gb/-

II 2/-G Ex db IIC Gb

IECEX: Ex db IIC T6 ... T1 Gb/-

Ex db IIC Gb/-

Variante	Elektrische Daten	Temperaturen		Kennzeichnung ²⁾
		Umgebung ¹⁾	Temperaturklasse	
Variante 1: Leergehäuse	U _{max} = 30 V	-40 ... +85 °C	T5 ... T1	II 2/-G Ex db IIC T5-T1 Gb/-
		-60 ... +85 °C		
		-40 ... +80 °C -60 ... +80 °C	T6	II 2/-G Ex db IIC T6 Gb/-
Variante 2: Leergehäuse + Elektronik	U _{max} = 30 V P _{max} = 2 W	-40 ... +85 °C	T4 ... T1	II 2/-G Ex db IIC T4-T1 Gb/-
		-60 ... +85 °C		
		-40 ... +75 °C -60 ... +75 °C	T5	II 2/-G Ex db IIC T5 Gb/-
Variante 3: Transmitter	Siehe Transmitter ³⁾	-40 ... +55 °C -60 ... +55 °C	T6	II 2/-G Ex db IIC T6 Gb/-
		Siehe Transmitter ³⁾	Siehe Transmitter ³⁾	II 2/-G Ex db IIC Gb/-

1) Für die Varianten 1 und 2: Die niedrige Umgebungstemperatur von -40 °C gilt für Typen mit Limatherm- oder Rosemount-Gehäusen. Die niedrige Umgebungstemperatur von entweder -40 °C oder -60 °C gilt für Typen mit WIKA-Anschlusskopf der Baureihen 1/4000, 5/6000, 7/8000. Zur Symbolerklärung für den Tieftemperaturbereich siehe Kapitel 2.4 „Beschilderung, Sicherheitskennzeichnungen“

2) Die Temperaturklasse hängt von der Umgebungstemperatur ab.

3) Die Parameter für „Variante 3: Transmitter“ sind aus dem zugehörigen Handbuch zu entnehmen.

Beim Einbau eines Transmitters und/oder einer Digitalanzeige gelten die besonderen Bedingungen aus der Baumusterprüfbescheinigung (siehe Kapitel 4 „Besondere Bedingungen für die Verwendung (X-Conditions)“).

2. Sicherheit

2.1 Symbolerklärung



GEFAHR!

... weist auf eine möglicherweise gefährliche Situation im explosionsgefährdeten Bereich hin, die zum Tod oder zu schweren Verletzungen führen kann, wenn sie nicht gemieden wird.

2.2 Bestimmungsgemäße Verwendung

Die hier beschriebenen Thermometer sind geeignet zur Temperaturmessung in explosionsgefährdeten Bereichen wie z. B. Schwefelrückgewinnungsanlagen (SRU).

Das elektrische Thermometer Typ TC8x-F besteht aus einem Modul (Typ TC8x-M), das an einem Ex d zertifizierten Gehäuse befestigt ist. Das Modul besteht aus der Flanschordnung mit Keramikrohren, allen Teilen der elektrischen Isolierung der Thermoelementdrähte und einer gasdichten Durchführung zur Begrenzung des druckfesten Bereiches.

Der Sensorteil des Moduls besteht aus keramisch isolierten Thermoelementdrähten.

Das Thermometer/Modul Typ TC8x-M wird an einem Ex d- oder Ex db-zertifizierten Gehäuse der WIKA-Serie 1/4000F, 7/8000 oder 5/6000 montiert. Das Gehäuse und die Abdeckungen sind aus CrNi-Stahl oder Aluminium gefertigt. Die Abdeckung kann optional mit einer Glaslinse (Fenster) versehen werden.

Alternativ wird das Thermometer an andere bescheinigte Gehäuse oder Baugruppen montiert, wie sie in der „WIKA ATEX and IECEx Ex-d housing and device list“ (Artikelnummer 14405410.02) aufgeführt sind.

Es stehen 3 verschiedene Varianten zur Verfügung:

- Variante 1: Das Thermometer ist an einem zertifizierten Leergehäuse in der Zündschutzart „Druckfeste Kapselung“ befestigt. Die Klemmen sind im Inneren des Gehäuses montiert.
- Variante 2: Das Thermometer ist an einem zertifizierten Leergehäuse in der Zündschutzart „Druckfeste Kapselung“ befestigt. Elektronische Geräte sind im Inneren des Gehäuses montiert.
- Variante 3: Das Thermometer ist an einem zertifizierten Gerät (Transmitter) in der Zündschutzart „Druckfeste Kapselung“ angebracht. Das Thermometer ist mit II 2/-G Ex db IIC Gb/- gekennzeichnet.

2. Sicherheit

Das Nichtbeachten der Angaben für den Einsatz in explosionsgefährdeten Bereichen führt zum Verlust des Explosionsschutzes. Grenzwerte und technische Angaben einhalten (siehe Datenblatt).

Mögliche Sensormessbereiche:

-40 ... +1.700 °C

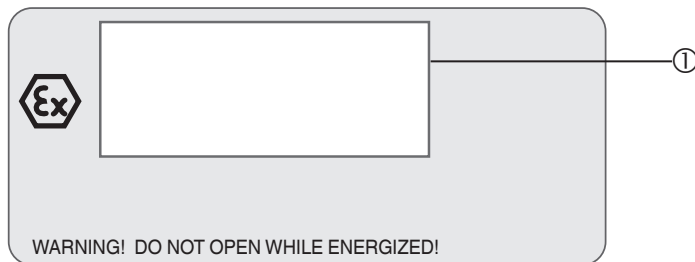
DE

2.3 Personalqualifikation

Das Elektrofachpersonal muss Kenntnisse haben über Zündschutzarten, Vorschriften und Verordnungen für Betriebsmittel in explosionsgefährdeten Bereichen.

2.4 Beschilderung, Sicherheitskennzeichnungen

Zusätzliches Typenschild (Beispiel)



① Zulassungsrelevante Daten



Symbol für die Einsatzfähigkeit des Gerätes in Umgebungstemperaturen bis -60 °C

3. Inbetriebnahme und Betrieb



GEFAHR!

Lebensgefahr durch Explosion

Durch Arbeiten in entzündlichen Atmosphären besteht Explosionsgefahr, die zum Tod führen kann.

- ▶ Rüstarbeiten nur in nicht-explosionsgefährdeter Umgebung durchführen!
- ▶ Gerät nicht unter Spannung öffnen.

DE



GEFAHR!

Lebensgefahr durch Explosion

Durch die Verwendung eines Messeinsatzes ohne geeigneten Anschlusskopf (Gehäuse) besteht Explosionsgefahr, die zum Tod führen kann.

- ▶ Messeinsatz nur im dafür vorgesehenen Anschlusskopf betreiben.



GEFAHR!

Lebensgefahr durch Verlust des Explosionsschutzes

Bei Nichtbeachten der zulässigen Gewindespalte und der entsprechenden Anzugsdrehmomente kann zum Verlust des Explosionsschutzes führen.

- ▶ Anzahl der Gewindgänge im Eingriff gemäß Kapitel 3.8 und Anzugsdrehmomente gemäß Kapitel 3.2 sicherstellen.

Besondere Bedingungen beachten (siehe Kapitel 4 „Besondere Bedingungen für die Verwendung (X-Conditions)“).

3.1 Mechanische Montage

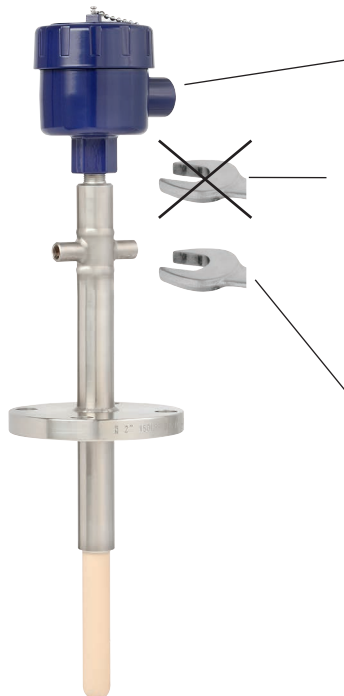
Bei vormontiertem Anschlusskopf darf die direkte Schraubverbindung des Thermometers zum Anschlusskopf oder Gehäuse nicht verdreht oder geöffnet werden. Eine Ausrichtung des Gehäuses kann nur über das optional teilbare Halsrohr erfolgen.

Bescheinigte und gelistete Feldgehäuse (Variante 3) dürfen nur von einer eingewiesenen Fachkraft nach dem aktuellen Stand der Technik montiert und installiert werden.

3. Inbetriebnahme und Betrieb

3.2 Anzugsdrehmomente

DE



Anschlusskopf, 1/4000, 5/6000, 7/8000 und weitere nach Explosionsschutzzertifikat.

Die Verbindung zwischen Anschlusskopf und Halsrohr darf vom Anwender nicht gelöst werden. Ein vom Anwender montierter Leitungskanal (Conduit) muss innerhalb von 2" [50,8 mm] vom Gehäuse abgedichtet werden. Bei vom Anwender montierten Kabelverschraubungen ist die Bedienungsanleitung des Kabelverschraubungsherstellers zu beachten.

Ausrichtung des Anschlusskopfs darf nur über die Flanschposition erfolgen.

Gewinde	Anzugsdrehmomente in Nm	
	Werkstoff Anschlusskopf	
	Aluminium	CrNi-Stahl
1/2 NPT	30	30
1/4 NPT	20	20
3/4 NPT	40	40
M20 x 1,5 mit Kontermutter	37	37

- Das Gerät nur über die Schlüssel­flächen mit einem geeigneten Werkzeug und dem vorgeschriebenen Drehmoment ein- bzw. ausschrauben.
- Das richtige Drehmoment ist abhängig von der Dimension des Anschlussgewindes sowie der verwendeten Dichtung (Form/Werkstoff).
- NPT-Gewinde (konisch) sind am Gewinde mit „NPT“ gekennzeichnet. Zylindrische Gewinde haben keine Kennzeichnung.
- Das Ein- bzw. Ausschrauben des Anschlusskopfs ist nicht zulässig.
- Beim Einschrauben beachten, dass die Gewindegänge nicht verkantet werden.
- Werden M20 x 1,5 Gewinde mit Kontermutter zum Kopf gelöst, kann der IP-Schutzgrad nicht mehr garantiert werden.
- NPT-Gewinde zum Kopf dürfen nicht gelöst werden.
- An NPT-Gewinden zum Schutzrohr ist werksseitig ein PTFE/PFA-Schmiermittel aufgebracht. Diese muss erneuert werden, wenn das Gewinde gelöst wurde.
- Sicherstellen, dass der Spülgasanschluss gasdicht angezogen ist und kein Gas entweichen kann, damit es zu keiner Zonenverschleppung kommt.

14302226.04 10/2024 EN/DE/FR/ES

3. Inbetriebnahme und Betrieb

Für die Montage die nachfolgenden zulässigen Gewindespalte für elektrische Betriebsmittel für gasexplosionsgefährdete Bereiche einhalten:

Gewindespalte für zylindrische Gewinde (IEC/EN 60079-1, Tabelle 4):

Einschraubtiefe:

Gehäusevolumen $\leq 100 \text{ cm}^3$: $\geq 5 \text{ mm}$ [0,20 in]

Gehäusevolumen $> 100 \text{ cm}^3$: $\geq 8 \text{ mm}$ [0,32 in]

Mindestens 5 Gewindegänge im Eingriff

Gewindespalte für kegelige Gewinde (IEC/EN 60079-1, Tabelle 5):

An jedem Teil vorhandene Gewindegänge ≥ 5

Mindestens 5 Gewindegänge im Eingriff

DE

3.3 Sicherungsschraube



Sicherungsschraube stets festziehen, um unbeabsichtigtes Öffnen des druckfest gekapselten Kopfes zu verhindern.

Vor dem Öffnen des Kopfes die Sicherungsschraube unbedingt weit genug lösen.

3.4 Elektrische Montage

- Bei der Installation der Thermometer, sind nur Bauteile (z. B. Leitungen, Kabelverschraubungen etc.) zulässig, die für druckfeste Kapselung geeignet sind.
- Einsatz eines Transmitters/Digitalanzeige (Option):
 - Den Inhalt dieser und der zum Transmitter/Digitalanzeige gehörenden Betriebsanleitung (siehe Lieferumfang) beachten.
 - Die einschlägigen Bestimmungen für Errichtung und Betrieb elektrischer Anlagen, sowie die Verordnung und Richtlinien für den Explosionsschutz beachten.
- Die Temperaturbeständigkeit der Anschlussleitungen, der Anschlussköpfe, der Leitungseinführungen und gegebenenfalls der Blindstopfen muss mindestens so hoch wie die maximal zulässige Umgebungstemperatur und mindestens so niedrig wie die minimal zulässige Umgebungstemperatur sein.
- Keine Batterien oder Kondensatoren in das druckfeste Gehäuse einbauen.
- Montage in metallischen Behälter:

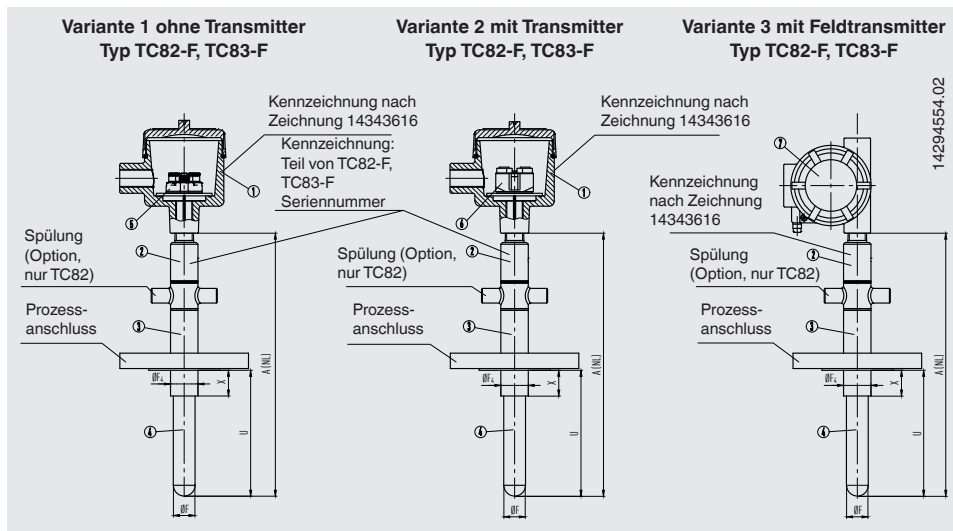
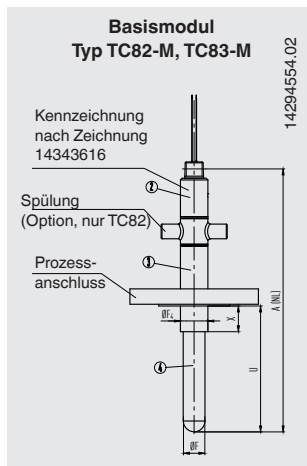
Das Gehäuse muss gegen elektromagnetische Felder und elektrostatische Aufladung geerdet werden. Es muss nicht gesondert an das Potentialausgleichssystem angeschlossen werden. Es ist ausreichend, wenn der Prozessanschluss festen und gesicherten Kontakt mit dem metallischen Behälter oder dessen Konstruktionsteilen oder Rohrleitungen hat, insofern diese Bauteile mit einem Potentialausgleichssystem verbunden sind.
- Montage in nichtmetallische Behälter:

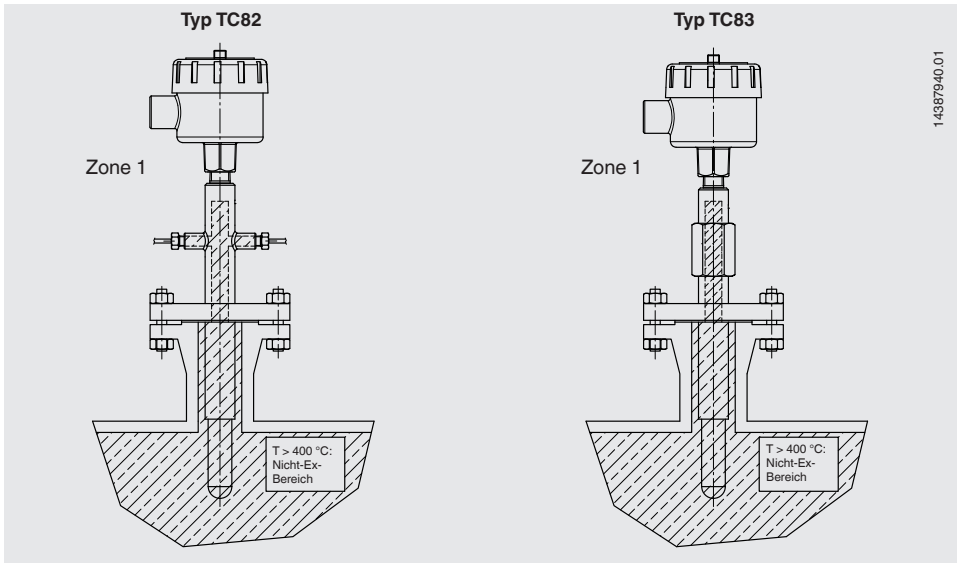
Alle in den explosionsgefährdeten Bereich ragenden elektrisch leitenden Thermometerkomponenten müssen mit einem Potentialausgleich versehen werden.

3. Inbetriebnahme und Betrieb

3.5 Übersicht der Temperaturzonen und sicherheitstechnische Hinweise für die verschiedenen Varianten

DE





3.5.1 Variante 1

Das Thermometer wird an ein bescheinigtes Leergehäuse in der Zündschutzart „Druckfeste Kapselung“ angebaut, in dem eine Klemmleiste eingebaut ist.

Erfassung und Umwandlung der Thermospannung mittels eines elektronischen Moduls außerhalb des explosionsgefährdeten Bereichs.

Kennzeichnung: II 2/-G Ex db IIC T6 ... T1 Gb/-

Das druckfeste Gehäuse oder der Anschlusskopf befindet sich in Zone 1 (oder Zone 2). Der Sensor befindet sich in keiner Ex-Zone.

Eine Erwärmung im Anschlusskopf findet bei Variante 1 nicht statt. Jedoch ist ein unzulässiger Wärmerückfluss aus dem Prozess, welcher die Betriebstemperatur des Gehäuses oder die Temperaturklasse überschreitet, durch geeignete Wärmeisolierung oder ein entsprechend langes Halsrohr zu verhindern.

3.5.2 Variante 2

Das Thermometer wird an ein bescheinigtes Leergehäuse in der Zündschutzart „Druckfeste Kapselung“ angebaut, in dem eine Elektronik eingebaut ist.

Das Signal ist ein Strom- (4 ... 20 mA), Spannungs- (0 ... 10 V) oder Feldbussignal, welches von einem Kopftransmitter erzeugt wird.

3. Inbetriebnahme und Betrieb

Kennzeichnung: II 2/-G Ex db IIC T6 ... T1 Gb/-

Das druckfeste Gehäuse oder der Anschlusskopf befindet sich in Zone 1 (oder Zone 2).
Der Sensor befindet sich in keiner Ex-Zone.

Für alle WIKA-Anschlussköpfe mit eingebauten WIKA-Temperaturtransmittern gilt folgender Zusammenhang:

Die Temperaturerhöhung auf der Oberfläche des Anschlusskopfes oder Gehäuses beträgt weniger als 25 K wenn folgende Bedingungen eingehalten werden: Hilfsenergie U_B maximal DC 30 V wenn der Transmitter in der Strombegrenzung von 22,5 mA betrieben wird. Eine Erwärmung im Anschlusskopf kann bei Variante 2 durch eine fehlerhafte Elektronik stattfinden. Die zulässigen Umgebungstemperaturen richten sich nach den eingesetzten Gehäusen und dem zusätzlich eingebautem Kopftransmitter.

Ein unzulässiger Wärmerückfluss aus dem Prozess welcher die Betriebstemperatur des Transmitters oder Gehäuses überschreitet, ist durch geeignete Wärmeisolierung oder ein entsprechend langes Halsrohr zu verhindern.

3.5.3 Variante 3

Das Thermometer wird an bescheinigte Betriebsmittel (Transmitter) in der Zündschutzart „Druckfeste Kapselung“ angebaut.

Das Signal ist ein Strom- (4 ... 20 mA), Spannungs- (0 ... 10 V) oder Feldbussignal, welches von einem ATEX/IECEx Ex d-bescheinigten Feldtransmitter erzeugt wird.

Es dürfen ausschließlich die Feldtransmitter eingesetzt werden, welche im Anhang des Ex d-Zertifikats namentlich gelistet wurden.

Kennzeichnung: II 2/-G Ex db IIC Gb/-

Das druckfeste Gehäuse oder der Anschlusskopf befindet sich in Zone 1 (oder Zone 2).
Der Sensor befindet sich in keiner Ex-Zone.

Die führende Kennzeichnung Typ TC82/TC83 befindet sich auf dem bescheinigten Anschlussgehäuse bzw. Ex d-Feldtransmitter.

3.6 Elektrische Montage

Einsatz eines Transmitters/Digitalanzeige (Option):

Den Inhalt der zum Transmitter/Digitalanzeige gehörenden Betriebsanleitung (siehe Lieferumfang) beachten.

Die zulässigen Umgebungstemperaturbereiche der entsprechenden Betriebsanleitung entnehmen.

Besondere Bedingungen beachten (siehe Kapitel 4 „Besondere Bedingungen für die Verwendung (X-Conditions)“, Punkt 3).

DE

Elektrische Anschlusswerte

■ Variante 1

$U_{\max} = \text{DC } 30 \text{ V}$ (je nach Betriebssystem)

Verwendung in Methan-Atmosphären

Aufgrund der höheren Grenzspaltweite (MESG) und Mindestzündstrom (MIC) von Methan können die Geräte auch in dadurch verursachten explosionsgefährdeten Gasatmosphären eingesetzt werden.

■ Variante 2

$U_{\max} = \text{DC } 30 \text{ V}$

$P_{\max} = 2 \text{ W}$

■ Variante 3

$U_{\max} =$ abhängig vom Transmitter/Digitalanzeige

$P_{\max} =$ im Gehäuse: abhängig vom Transmitter/Digitalanzeige

3.7 Temperaturverschleppung aus dem Prozess

Wärmerückfluss aus dem Prozess verhindern!

Besondere Bedingungen beachten (siehe Kapitel 4 „Besondere Bedingungen für die Verwendung (X-Conditions)“).

3.8 Gewindespalte

Für die Montage die nachfolgenden zulässigen Gewindespalte für elektrische Betriebsmittel für gasexplosionsgefährdete Bereiche einhalten:

■ Gewindespalte für zylindrische Gewinde (IEC/EN 60079-1, Tabelle 4):

Gehäusevolumen $\leq 100 \text{ cm}^3$: $\geq 5 \text{ mm}$

Gehäusevolumen $> 100 \text{ cm}^3$: $\geq 8 \text{ mm}$

mind. 5 Gewindegänge im Eingriff

■ Gewindespalte für kegelige Gewinde (IEC/EN 60079-1, Tabelle 5):

an jedem Teil ≥ 5

mind. 4,5 Gewindegänge im Eingriff

4. Besondere Bedingungen für die Verwendung (X-Conditions)

- 1) Die Thermometer müssen in Ex d-zertifizierte Gehäuse der von WIKA hergestellten Baureihen 1/4000 F, 7/8000 oder 5/6000 eingebaut werden. Alternativ können die Thermometer in andere zertifizierte Gehäuse eingebaut werden, sofern diese in der „WIKA ATEX und IECEx Ex d Gehäuse- und Geräteliste“ aufgeführt sind (Artikelnummer: 14405410.02)
- 2) Ein unzulässiger Wärmerückfluss aus dem Prozess muss z. B. durch Wärmeisolierung oder Verwendung eines verlängerten Halsrohrs verhindert werden. Ein unzulässiger Wärmerückfluss ist dann gegeben, wenn die Wärme aus dem Prozess die Betriebstemperatur des Gehäuses oder die Temperaturklasse überschreitet.
- 3) Die Spatlänge der zünddurchschlagsicheren Spalte dieses Betriebsmittels sind teils länger und die Spaltweiten der zünddurchschlagsicheren Spalte sind teils kleiner als in Tabelle 3 von IEC/EN 60079-1:2014 gefordert.
- 4) Die Bedingungen für den sicheren Gebrauch und die im Zertifikat für die Geräte (Transmitter) und die leeren Gehäuse aufgeführten Montageanleitungen müssen ebenfalls sorgfältig beachtet werden.

Sommaire

1. Marquage Ex	28
2. Sécurité	29
3. Mise en service et utilisation	31
4. Conditions spécifiques d'utilisation (conditions X)	38
Annex 1: EU declaration of conformity	51
Annex 2: WIKA ATEX and IECEx enclosure and device list	52

Déclarations de conformité disponibles sur www.wika.fr.

1. Marquage Ex

Documentation supplémentaire :

- Ces informations complémentaires concernant les zones explosives s'appliquent en corrélation avec le mode d'emploi "Thermocouples haute-température, types TC80, TC82, TC83 Calitum®, TC84" (numéro d'article 14486177).

1. Marquage Ex

FR



DANGER !

Danger vital dû à la perte de la protection contre les explosions

Le non respect de ces instructions et de leurs contenus peut entraîner une perte de la protection contre les explosions.

- Observer les instructions de sécurité de ce chapitre et les autres instructions liées aux explosions de ce mode d'emploi.
- Respecter les exigences de la directive ATEX.
- Respecter les indications du certificat d'examen de type valable de même que les prescriptions nationales respectives concernant le montage et l'utilisation en zone explosive (par exemple CEI 60079-0, CEI 60079-1, CEI 60079-10 and CEI 60079-14).

Contrôler que la classification est adaptée à l'application. Observer les réglementations nationales concernées.

Avec boîtier et bornes de de connexion Avec transmetteur certifié séparément

ATEX : II 2/-G Ex db IIC T6 ... T1 Gb/-

II 2/-G Ex db IIC Gb

IECEx : Ex db IIC T6 ... T1 Gb/-

Ex db IIC Gb/-

Exécution	Données électriques	Températures		Marquage ²⁾
		Ambiante ¹⁾	Classe de température	
Exécution 1 : boîtier vide	$U_{max} = 30 \text{ V}$	-40 ... +85 °C	T5 ... T1	II 2/-G Ex db IIC T5-T1 Gb/-
		-60 ... +85 °C		
Exécution 2 : boîtier vide + électronique	$U_{max} = 30 \text{ V}$ $P_{max} = 2 \text{ W}$	-40 ... +80 °C	T6	II 2/-G Ex db IIC T6 Gb/-
		-60 ... +80 °C		
		-40 ... +75 °C	T5	II 2/-G Ex db IIC T5 Gb/-
		-60 ... +75 °C		
Exécution 3 : transmetteur	Voir transmetteur ³⁾	-40 ... +55 °C	T6	II 2/-G Ex db IIC T6 Gb/-
		-60 ... +55 °C		
Exécution 3 : transmetteur	Voir transmetteur ³⁾	Voir transmetteur ³⁾	Voir transmetteur ³⁾	II 2/-G Ex db IIC Gb/-

1) Pour exécutions 1 et 2 : la température ambiante basse de -40 °C s'applique aux types avec des boîtiers Limatherm ou Rosemount. La température ambiante basse de -40 °C ou -60 °C s'applique aux types avec tête de raccordement WIKA des séries 1/4000, 5/6000, 7/8000. Pour l'explication des symboles pour la plage de température basse, voir le chapitre 2.4 "Étiquetage, marquages de sécurité"

2) La classe de température dépend de la température ambiante.

3) Les paramètres pour "Exécution 3 : transmetteur" doivent être pris dans le manuel en question.

Lorsqu'il y a un transmetteur intégré et/ou un affichage numérique, les conditions spéciales contenues dans le certificat d'examen de type (voir chapitre 4 "Conditions spécifiques d'utilisation (conditions X)") s'appliquent.

2. Sécurité

2.1 Explication des symboles



DANGER !

... indique une situation en zone explosive présentant des risques susceptibles de provoquer la mort ou des blessures graves si elle n'est pas évitée.

2.2 Utilisation conforme à l'usage prévu

Les thermomètres décrits ici conviennent à des fins de mesure de la température en zone explosive comme par exemple les unités de récupération de soufre (SRU).

Le thermomètre électrique type TC8x-F est composé d'un module (type TC8x-M) qui est placé dans un boîtier certifié Ex d. Ce module est composé d'une bride avec un tube en céramique, d'isolation électrique pour les fils de thermocouple et d'un passe-câble étanche au gaz pour la zone antidéflagrante.

La partie sensible de la sonde est composée de fils de thermocouple isolés avec de la céramique.

La sonde sera installé dans un boîtier certifié Ex d ou Ex db fabriqué par WIKA série 1/4000F, 7/8000 ou 5/6000. Le boîtier et les couvercles sont fabriqués en acier inox ou en aluminium. Le couvercle est disponible en option avec une lentille en verre (voyant).

Comme alternative, le thermomètre peut être placé dans d'autres boîtiers ou installations certifiés comme énumérés dans la "liste de dispositifs et de boîtiers WIKA ATEX et IECEx Ex-d" (numéro d'article 14405410.02).

3 différentes exécutions sont disponibles :

- Exécution 1 : Le thermomètre est placé dans un boîtier certifié vide avec type de protection "antidéflagrante". Les bornes sont installées à l'intérieur du boîtier.
- Exécution 2 : Le thermomètre est placé dans un boîtier certifié vide avec type de protection "antidéflagrante". L'équipement électronique est installé dans le boîtier.
- Exécution 3 : Le thermomètre est placé dans un appareil certifié (avec transmetteur) avec type de protection "antidéflagrante". Le thermomètre est marqué II 2/-G Ex db IIC Gb/-.

2. Sécurité

Le non-respect des instructions pour utilisation en zones explosives peut conduire à la perte de la protection contre les explosions. Correspondre aux valeurs limites et instructions suivantes (voir fiche technique).

Etendues de mesure du capteur possible :

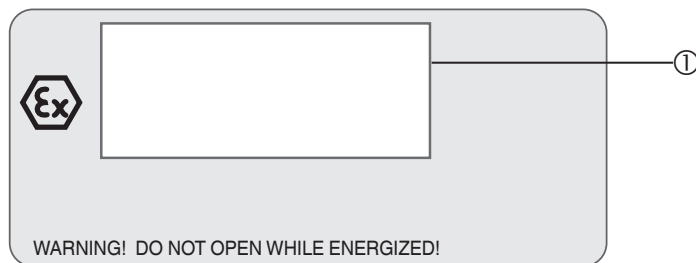
-40 ... +1.700 °C

2.3 Qualification du personnel

Le personnel qualifié en électricité doit avoir les connaissances requises des types de protection contre l'ignition, des réglementations et dispositions concernant les équipements en zones explosives.

2.4 Etiquetage, marquages de sécurité

Plaque signalétique supplémentaire (exemple)



① Données d'agrément liées



Symbole pour l'utilisation de l'instrument dans une température ambiante jusqu'à -60 °C

3. Mise en service et utilisation



DANGER !

Danger d'explosion vital

Le travail en atmosphère inflammable peut donner lieu à une explosion avec risque de mort.

- ▶ Réaliser les travaux d'installation uniquement en environnements non dangereux !
- ▶ Ne pas ouvrir l'instrument tant qu'il est sous tension.



DANGER !

Danger d'explosion vital

Si l'on utilise un insert de mesure sans tête de raccordement adéquate (boîtier), on court un risque d'explosion qui peut causer des pertes humaines.

- ▶ N'utiliser l'insert de mesure que dans la tête de raccordement prévue à cet effet.



DANGER !

Danger vital dû à la perte de la protection contre les explosions

Si on ne respecte pas les espaces de filetage admissibles et les couples de serrage correspondants, cela peut provoquer une perte de la protection contre les explosions.

- ▶ Vérifier que le nombre de filetages engagés soit en conformité avec le chapitre 3.8 et que les couples de serrage soient en accord avec le chapitre 3.2.

Observer les conditions spéciales (voir chapitre 4 "Conditions spécifiques d'utilisation (conditions X)").

3.1 Montage mécanique

Avec les têtes de raccordement pré-installées, le raccordement fileté direct du thermomètre vers la tête de raccordement ou le boîtier ne doit pas être déformé ou ouvert. Tout alignement du boîtier peut être effectué en utilisant seulement l'extension divisible en option.

Les boîtiers de champ certifiés et homologués (exécution 3) ne doivent être montés et installés que par un spécialiste formé aux dernières évolutions technologiques.

3. Mise en service et utilisation

3.2 Couples de serrage



Tête de raccordement, 1/4000, 5/6000, 7/8000 et autres selon la protection contre les explosions.

L'utilisateur ne doit pas débrancher le raccordement entre la tête de raccordement et l'extension. A conduit mounted by the user must be sealed from the housing within 2" [50.8 mm]. Pour les presse-étoupes installés par l'utilisateur, il faut observer le mode d'emploi du fabricant du presse-étoupe.

La tête de raccordement ne peut être alignée que par la position de la bride

Filetage	Couples de serrage en Nm	
	Matériau de la tête de raccordement	
	Aluminium	Acier inox
1/2 NPT	30	30
1/2 NPT	20	20
3/4 NPT	40	40
M20 x 1,5 avec contre-écrou	37	37

- Ne vissez ou ne dévissez l'instrument qu'avec les pans de la clé et avec le couple prescrit en utilisant un outil approprié.
- Le couple approprié dépend des dimensions du filetage de raccord et du joint utilisés (forme/matériau).
- Les filetages coniques (NPT) comportent le marquage "NPT". Les filetages parallèles ne comportent aucun marquage.
- Il n'est pas permis de visser ou de dévisser la tête de raccordement.
- Évitez tout coincement du pas de filet lorsque vous vissez l'instrument.
- Si les filetages M20 x 1,5 sont desserrés de la tête à l'aide d'un contre-écrou, le degré de protection IP ne peut plus être garanti.
- Les filetages NPT de la tête ne doivent pas être desserrés.
- Un lubrifiant au PTFE/PFA est appliqué au niveau des filetages NPT sur le doigt de gant/tube de protection. Il doit être à nouveau appliqué si le filetage est desserré.
- Assurez-vous que le raccordement de gaz de purge est bien serré et que du gaz ne peut pas s'échapper, de sorte qu'il n'y ait aucun passage entre les zones.

3. Mise en service et utilisation

Pour l'installation, les écarts de filetage autorisés suivants pour l'équipement électrique dans des zones explosives de gaz doivent être maintenus.

Ecart de filetage pour filetages parallèles (CEI/EN 60079-1, tableau 4) :

Profondeur de vissage :

Volume du boîtier $\leq 100 \text{ cm}^3$: $\geq 5 \text{ mm}$ [0,20 po]

Volume du boîtier $> 100 \text{ cm}^3$: $\geq 8 \text{ mm}$ [0,32 po]

Au moins 5 filetages engagés

Ecart de filetage pour filetages coniques (CEI/EN 60079-1, tableau 5) :

Filetages présents sur chaque partie ≥ 5

Au moins 5 filetages engagés

FR

3.3 Vis de blocage



Il faut toujours serrer la vis de blocage pour empêcher toute ouverture non-intentionnelle de la tête avec boîtier antidéflagrant.

Avant d'ouvrir la tête, il faut toujours desserrer suffisamment la vis de blocage.

3.4 Montage électrique

- Pour l'installation du thermomètre, seuls les composants (par exemple les câbles, presse-étoupes, etc.) autorisés pour "boîtier antidéflagrant" peuvent être utilisés.
- Si l'on utilise un transmetteur ou un afficheur (en option) :
 - Observer le contenu de ce mode d'emploi ainsi que de ceux du transmetteur/de l'afficheur numérique (voir le détail de la livraison).
 - Observer les prescriptions se rapportant à l'installation et à l'utilisation de circuits électriques, et aussi les régulations et les directives concernant la protection contre les explosions.
- La tenue à aux températures ambiantes des câbles de raccordement, des têtes de raccordement, des entrées de câbles et, le cas échéant, des presse-étoupes doit être au moins aussi haute que la température ambiante maximum autorisée et être au moins aussi basse que la température ambiante minimum autorisée.
- Ne pas placer de piles ni de condensateurs dans le boîtier antidéflagrant.
- Montage dans des boîtiers métalliques :

Le boîtier doit être relié à la terre pour protéger l'instrument contre les champs électromagnétiques et toute charge électrostatique.

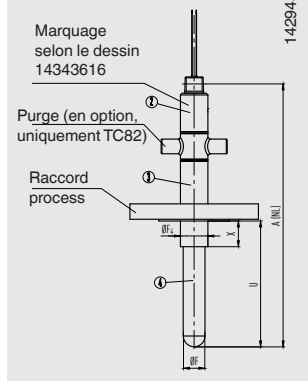
Il n'a pas besoin d'être connecté séparément au système de liaison équipotentielle. Cela suffit si le raccord process a une connexion fixe et sécurisé avec la cuve métallique ou ses composants structurels ou ses conduites, aussi longtemps que ces composants sont raccordés au système de liaison équipotentielle.
- Installation dans des cuves non métalliques :

Tous les composants conducteurs d'électricité de la sonde se trouvant dans la zone explosive doivent être pourvus d'une liaison équipotentielle.

3. Mise en service et utilisation

3.5 Vue d'ensemble des zones de température et consignes de sécurité pour les différentes exécutions

Module de base Type TC82-M, TC83-M



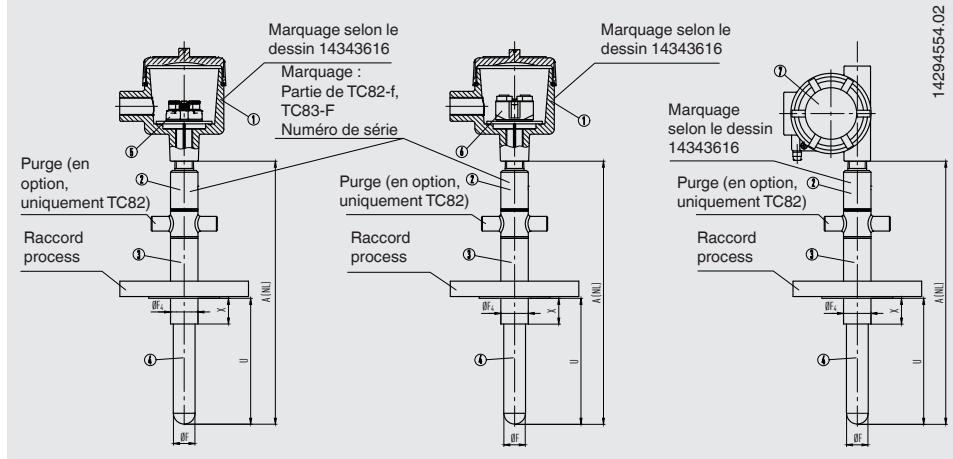
Légende :

- | | |
|------------------------------|---|
| ① Tête de raccordement | A (NL) Longueur nominale |
| ② Extension | U Longueur utile |
| ③ Tube de soutien en métal | X Longueur du tube de soutien en-dessous du raccord process |
| ④ Doigt de gant en céramique | |
| ⑤ Platine de raccordement | |
| ⑥ Transmetteur (option) | |
| ⑦ Transmetteur de terrain | |

Exécution 1 sans transmetteur Type TC82-F, TC83-F

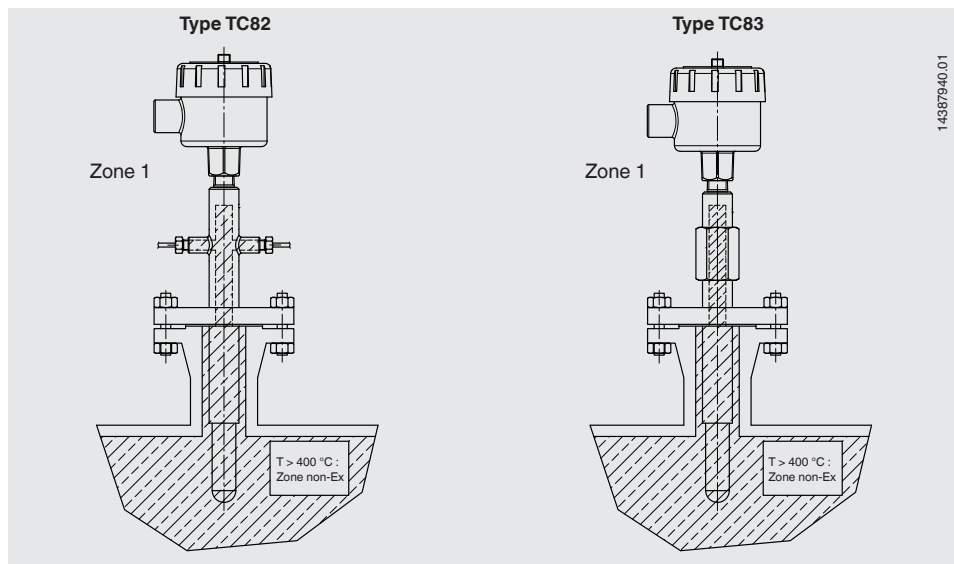
Exécution 2 avec transmetteur Type TC82-F, TC83-F

Exécution 3 avec transmetteur de terrain, type TC82-F, TC83-F



FR

3. Mise en service et utilisation



FR

3.5.1 Exécution 1

Le thermomètre est monté dans un boîtier certifié, avec un type de protection “antidéflagrant” dans lequel un bloc à bornes a été monté.

Détection et conversion au moyen d'un transmetteur situé en-dehors de la zone explosive.

Marquage : II 2/-G Ex db IIC T6 ... T1 Gb/-

Le boîtier antidéflagrant ou la tête de raccordement se trouve en zone 1 (ou zone 2). Le capteur est positionné dans une zone non Ex.

Il n'y a pas de chauffage dans la tête de raccordement sur l'exécution 1. Toutefois, un reflux de chaleur inadmissible, pouvant excéder la température de fonctionnement du boîtier ou la classe de température, doit être empêché par une isolation adéquate contre la chaleur ou une extension suffisamment longue.

3.5.2 Exécution 2

Le thermomètre est monté dans un boîtier certifié, avec un type de protection “antidéflagrant” dans lequel une installation électronique a été montée.

Le signal est un signal de courant (4 ... 20 mA), un signal de tension (0 ... 10 V) ou un signal de bus de terrain, qui est généré depuis un transmetteur monté dans la tête.

3. Mise en service et utilisation

Marquage : II 2/-G Ex db IIC T6 ... T1 Gb/-

Le boîtier antidéflagrant ou la tête de raccordement se trouve en zone 1 (ou zone 2). Le capteur est positionné dans une zone non Ex.

Pour toutes les têtes de raccordement WIKA avec des transmetteurs de température incorporés WIKA, l'interrelation suivante s'applique :

L'accroissement de température de la tête de raccordement ou du boîtier est inférieure à 25 K si les conditions suivantes sont réunies : alimentation électrique U_B maximum VDC 30 si le transmetteur est utilisé dans une limite de courant de 22,5 mA.

Un chauffage dans la tête de raccordement peut se produire avec l'exécution 2 à cause d'une électronique défectueuse. Les températures admissibles dépendent du boîtier utilisé et de tout transmetteur monté en tête posé en supplément.

Toutefois, un reflux de chaleur inadmissible, pouvant excéder la température de fonctionnement du boîtier ou la classe de température, doit être empêché par une isolation adéquate contre la chaleur ou une extension suffisamment longue.

3.5.3 Exécution 3

Le thermomètre est installé sur un équipement (transmetteur) certifié, avec un type de protection "antidéflagrant".

Le signal est un signal de courant (4 ... 20 mA), un signal de tension (0 ... 10 V) ou un signal de bus de terrain, qui est généré depuis un transmetteur de terrain certifié ATEX/IECEx Ex d.

Seuls les transmetteurs de terrain listés par leur nom dans l'appendice du certificat Ex d peuvent être utilisés.

Marquage : II 2/-G Ex db IIC Gb/-

Le boîtier antidéflagrant ou la tête de raccordement se trouve en zone 1 (ou zone 2). Le capteur est positionné dans une zone non Ex.

Le marquage principal pour les types TC82/TC83 se trouve sur le boîtier de raccordement certifié ou le transmetteur de champ Ex d.

3.6 Montage électrique

Si l'on utilise un transmetteur ou un afficheur (en option) :

il faut observer le contenu de la notice d'utilisation ainsi que celle du transmetteur/affichage numérique (voir le détail de la livraison).

Les plages de température ambiante admissibles peuvent être prises dans le mode d'emploi correspondant.

Observer les conditions spéciales (voir chapitre 4 "Conditions spécifiques d'utilisation (conditions X)", point 3).

3. Mise en service et utilisation

Valeurs de raccordement électrique

■ Exécution 1

$U_{\max} = 30 \text{ VDC}$ (suivant le système d'exploitation)

Utilisation dans les atmosphères contenant du méthane

De par l'Interstice expérimental minimal de sécurité (MESG) et le Courant minimum d'allumage (MIC) de méthane, les instruments peuvent également être utilisés dans des atmosphères gazeuses dangereuses causées par ceci.

■ Exécution 2

$U_{\max} = 30 \text{ VDC}$

$P_{\max} = 2 \text{ W}$

■ Exécution 3

$U_{\max} =$ en fonction du transmetteur ou de l'affichage numérique

$P_{\max} =$ dans le boîtier : dépend du transmetteur ou de l'affichage numérique

3.7 Transmission de température depuis le process

Empêcher tout reflux de chaleur en provenance du process !

Observer les conditions spéciales (voir chapitre 4 "Conditions spécifiques d'utilisation (conditions X)").

3.8 Ecart de filetage

Pour l'installation, les écarts de filetage autorisés suivants pour l'équipement électrique dans des zones explosives de gaz doivent être maintenus :

■ Ecart de filetage pour filetages parallèles (CEI/EN 60079-1, tableau 4) :

Volumes de boîtier $\leq 100 \text{ cm}^3$: $\geq 5 \text{ mm}$

Volumes de boîtier $> 100 \text{ cm}^3$: $\geq 8 \text{ mm}$

Il doit y avoir au moins 5 filetages engagés

■ Ecart de filetage pour filetages coniques (CEI/EN 60079-1, tableau 5) :

sur chaque composant ≥ 5

Il doit y avoir au moins 4,5 filetages engagés

4. Conditions spécifiques d'utilisation (conditions X)

4. Conditions spécifiques d'utilisation (conditions X)

- 1) Les thermomètres seront placés dans des boîtiers certifiés Ex d de la série 1/4000 F, 7/8000 ou 5/6000, fabriqués par WIKA. Comme alternative, le thermomètre peut être placé dans d'autres boîtiers certifiés comme énumérés dans la "liste de dispositifs et de boîtiers WIKA ATEX et IECEx Ex-d" (numéro d'article 14405410.02).
- 2) Il faut empêcher un apport de chaleur inadmissible en provenance du process, par exemple avec une isolation thermique ou une extension. Un dépassement de chaleur inadmissible se produit lorsque la chaleur en provenance du process dépasse la température de fonctionnement du boîtier ou la classe de température.
- 3) Les largeurs du joint antidéflagrant de cet appareillage sont en partie plus grandes et ses espaces en partie plus faibles que ce qui est requis par le Tableau 3 de la norme CEI/EN 60079-1:2014.
- 4) Les conditions pour une utilisation en toute sécurité et les instructions d'installation présentes dans le certificat de l'équipement (transmetteur) et les boîtiers vides doivent également être strictement respectées.

FR

Contenido

1. Marcaje Ex	40
2. Seguridad	41
3. Puesta en servicio y funcionamiento	43
4. Condiciones especiales para la utilización (condiciones X)	50
Annex 1: EU declaration of conformity	51
Annex 2: WIKA ATEX and IECEx enclosure and device list	52

ES

Declaraciones de conformidad puede encontrar en www.wika.es.

1. Marcaje Ex

Documentación complementaria:

- Esta información adicional para zonas potencialmente explosivas es aplicable en conjunto con el manual de instrucciones "Termopares para altas temperaturas, modelo TC80, TC82, TC83 Calitum[®], TC84 (código 14486177).

1. Marcaje Ex



¡PELIGRO!

Peligro de muerte debido a la pérdida de la protección contra explosiones

La inobservancia del contenido y de las instrucciones puede originar la pérdida de la protección contra explosiones.

- Observe las instrucciones de seguridad en este capítulo y otros avisos sobre peligros de explosión en este manual de instrucciones.
- Tener en cuenta los requisitos de la directiva ATEX.
- Cumplir las indicaciones del certificado de examen de tipo y los correspondientes reglamentos nacionales para la instalación y uso en zonas potencialmente explosivas (p. ej. IEC 60079-0, IEC 60079-1, IEC 60079-10 y IEC 60079-14).

Compruebe idoneidad de la clasificación para la aplicación. Tenga en consideración

Con caja y bornes de conexión

ATEX: II 2/-G Ex db IIC T6 ... T1 Gb/-

IECEX: Ex db IIC T6 ... T1 Gb/-

Con transmisor certificado aparte

II 2/-G Ex db IIC Gb

Ex db IIC Gb/-

Variante	Datos eléctricos	Temperaturas		Marcado ²⁾
		Ambiente ¹⁾	Clase de temperatura	
Variante 1: Caja vacía	U _{max} = 30 V	-40 ... +85 °C	T5 ... T1	II 2/-G Ex db IIC T5-T1 Gb/-
		-60 ... +85 °C		
Variante 2: Caja vacía + electrónica	U _{max} = 30 V P _{max} = 2 W	-40 ... +80 °C	T6	II 2/-G Ex db IIC T6 Gb/-
		-60 ... +80 °C		
		-40 ... +75 °C	T5	II 2/-G Ex db IIC T5 Gb/-
		-60 ... +75 °C		
Variante 3: Transmisor	Ver transmisor ³⁾	-40 ... +85 °C	T4 ... T1	II 2/-G Ex db IIC T4-T1 Gb/-
		-60 ... +85 °C		
Variante 3: Transmisor	Ver transmisor ³⁾	-40 ... +55 °C	T6	II 2/-G Ex db IIC T6 Gb/-
		-60 ... +55 °C		
Variante 3: Transmisor	Ver transmisor ³⁾	Ver transmisor ³⁾	Ver transmisor ³⁾	II 2/-G Ex db IIC Gb/-

1) Para las variantes 1 y 2: La baja temperatura ambiente -40 °C se aplica a los modelos con cajas Limatherm o Rosemount. La baja temperatura ambiente de -40 °C o -60 °C se aplica a los modelos con cabezal WIKA de las series 1/4000, 5/6000, 7/8000. Para la explicación de símbolos para la gama de baja temperatura, véase el capítulo 2.4 "Rótulos, marcajes de seguridad"

2) La clase de temperatura depende del rango de temperaturas ambiente.

3) Los parámetros de la "Variante 3: Transmisor" deben ser extraídos del manual correspondiente.

1. Marcaje Ex / 2. Seguridad

Para el montaje de un transmisor y/o un indicador digital rigen las condiciones especiales del certificado de examen de tipo (véase el capítulo 4 “Condiciones especiales para la utilización (condiciones X)”).

2. Seguridad

2.1 Explicación de símbolos



¡PELIGRO!

... señala una situación de peligro potencial en la zona potencialmente explosiva, lo que puede provocar la muerte o lesiones graves si no se evita.

ES

2.2 Uso conforme a lo previsto

Los termopares aquí descritos son aptos para la medición de temperatura en zonas potencialmente explosivas, como por ejemplo las unidades de recuperación de azufre (SRU).

El sonda modelo TC8x-F está compuesto por un módulo (modelo TC8x-M), que se monta en una caja certificada Ex d. El módulo consiste en el ensamblaje de la brida con tubos de cerámica, todas las partes de aislamiento eléctrico de los cables del termopar y un casquillo hermético al gas para limitar el área ignífuga.

La parte sensora del módulo está hecha de cables de termopar con aislamiento cerámico.

El termómetro/módulo se instala en una caja Ex d o Ex db certificada de las series 1/4000F, 7/8000 ó 5/6000 de WIKA. La caja y la tapa son de acero inoxidable o aluminio. Opcionalmente, la tapa puede estar provista de una lente de cristal (mirilla).

Alternativamente, el termopar se montará en otras cajas o ensamblajes certificados, como los que figuran en la “Lista de cajas y dispositivos WIKA ATEX e IECEx Ex-d” (artículo no. 14405410.02).

Existen 3 variantes disponibles:

- Variante 1: La sonda se instala en una caja vacía certificada para el tipo “protección antideflagrante”. Los terminales están montados dentro de la caja.
- Variante 2: La sonda se coloca en una caja vacía certificada en el tipo de “protección antideflagrante”. El equipo electrónico está montado dentro de la caja.
- Variante 3: La sonda se instala en un aparato certificado (transmisor) en el tipo de “protección antideflagrante”. La sonda está identificada con II 2/-G Ex db IIC Gb/-.

2. Seguridad

La inobservancia de la información para su uso en zonas potencialmente explosivas conduce a la pérdida de la protección contra explosiones. Observar los valores límite y las indicaciones técnicas (véase hoja técnica).

Posibles rangos de medición del sensor:

-40 ... +1.700 °C

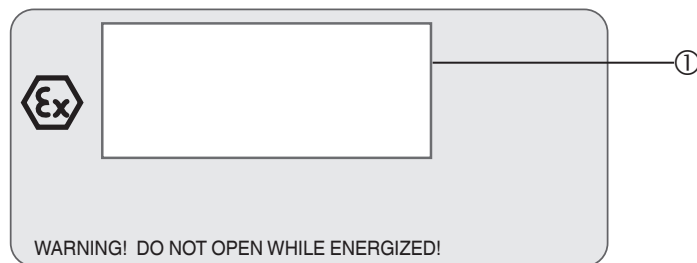
2.3 Cualificación del personal

Los electricistas profesionales deben tener conocimientos sobre los tipos de protección contra incendios, los reglamentos y las directivas referente a equipos en zonas potencialmente explosivas.

ES

2.4 Rótulos, marcajes de seguridad

Etiqueta adicional del producto (ejemplo)



① Datos relevantes de la homologación



Símbolo de uso del instrumento a temperatura ambiente hasta -60 °C

3. Puesta en servicio y funcionamiento



¡PELIGRO!

Peligro de muerte por explosión

El uso en atmósferas fácilmente inflamables causa peligros de explosión que pueden causar la muerte.

- ▶ ¡Efectuar las tareas de equipamiento sólo en áreas sin peligro de explosión!
- ▶ No abrir bajo tensión.



¡PELIGRO!

Peligro de muerte por explosión

Al utilizar la unidad de medida extraíble sin un cabezal apto (caja) existe riesgo de explosión que puede llevar a la muerte.

- ▶ Utilizar la unidad de medida extraíble únicamente en el cabezal previsto para este fin.



¡PELIGRO!

Peligro de muerte debido a la pérdida de la protección contra explosiones

Si no se observan las especificaciones para la junta roscada y los pares de apriete correspondientes puede quedar anulada la protección contra explosiones.

- ▶ Asegúrese de que se cumplan las especificaciones indicadas en el capítulo 3.8 y los pares de apriete indicados en el capítulo 3.2.

Observar las condiciones especiales (véase el capítulo 4 “Condiciones especiales para la utilización (condiciones X)”).

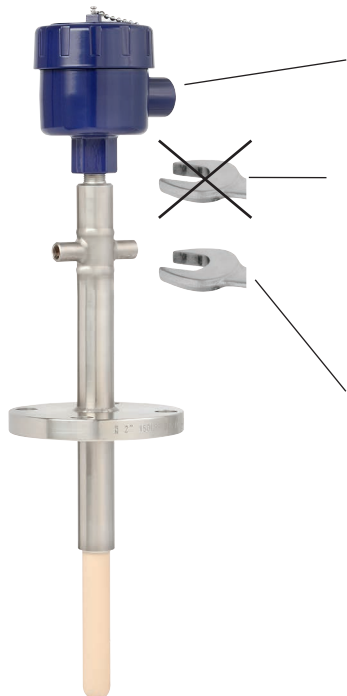
3.1 Montaje mecánico

Con un cabezal premontado no se debe girar ni abrir la rosca de conexión de unión directa. Una alineación de la caja puede hacerse únicamente mediante el cuello divisible opcional.

Las cajas de campo certificadas y listadas (variante 3) deben montarse e instalarse exclusivamente por un técnico instruido conforme al estado actual de la técnica.

3. Puesta en servicio y funcionamiento

3.2 Pares de apriete



Cabezal, 1/4000, 5/6000, 7/8000 y otras según la pérdida de la protección contra explosiones.

La conexión entre el cabezal de conexión y el tubo del cuello no debe ser desconectada por el usuario. Un conducto montado por el usuario debe estar sellado de la caja dentro de 50,8 mm [2 in]. Para prensaestopas montadas por el usuario, debe observarse el manual de instrucciones del fabricante de prensaestopas.

El cabezal de conexión sólo puede alinearse a través de la posición de la brida.

Rosca	Pares de apriete en Nm	
	Material del cabezal	
	Aluminio	Acero inoxidable
½ NPT	30	30
¼ NPT	20	20
¾ NPT	40	40
M20 x 1,5 con contratuerca	37	37

- Roscar y desenrosar el instrumento únicamente en las zonas de agarre para la llave utilizando una herramienta adecuada y aplicando el par de giro especificado.
- El par de giro correcto depende de la dimensión de la rosca de conexión así como de la junta utilizada (forma/material).
- Las roscas NPT (cónicas) están marcadas con "NPT" en la rosca. Las roscas paralelas no tienen ninguna marca.
- No está permitido enroscar o desenrosar el cabezal de conexión.
- Vigilar al enroscar que no se ladeen las hilos de rosca.
- Si se aflojan las roscas M20 x 1,5 a la cabeza con una contratuerca, ya no se puede garantizar el grado de protección IP.
- Las roscas NPT al cabezal no deben aflojarse.
- Se aplica un lubricante PTFE/PFA en las roscas NPT a la vaina/al tubo de protección. Debe renovarse cuando la rosca se haya aflojado.
- Asegúrese de que la conexión del gas de purga esté bien apretada y que no haya fugas de gas, para que no haya arrastre entre las zonas.

3. Puesta en servicio y funcionamiento

Durante el montaje se deben cumplir las especificaciones para juntas roscadas de equipos eléctricos en atmósferas explosivas gaseosas:

Junta roscada de roscas cilíndricas (EN/IEC 60079-1, Tabla 4):

Profundidad de roscado:

Volumen de la caja $\leq 100 \text{ cm}^3$: $\geq 5 \text{ mm}$ [0,20 in]

Volumen de la caja $> 100 \text{ cm}^3$: $\geq 8 \text{ mm}$ [0,32 in]

Enroscadas 5 espiras como min.

Junta roscada de roscas cónicas (EN/IEC 60079-1, Tabla 5):

Rosca en cada parte ≥ 5

Enroscadas 5 espiras como min.

3.3 Tornillo de bloqueo



Apretar siempre el tornillo de bloqueo para impedir la abertura accidental del cabezal antideflagrante.

Antes de abrir el cabezal es imprescindible aflojar lo suficiente el tornillo de bloqueo.

ES

3.4 Montaje eléctrico

- En la instalación de los termopares se permiten únicamente componentes (p. ej. cables, prensaestopas, etc.) aptos para encapsulado a prueba de presión.
- Uso de un transmisor/indicador digital (opcional):
 - Observar el contenido del presente manual de instrucciones y del manual del transmisor/indicador digital (ver alcance del suministro).
 - Observar las regulaciones relevantes para la instalación y el uso de instalaciones eléctricas, así como las disposiciones y directivas relativas a la protección contra explosiones.
- La resistencia a la temperatura de los cables de conexión, los cabezales, las entradas de cable y, si es necesario, los conectores de supresión, deberá ser al menos tan alta como la temperatura ambiente máxima permitida, y deberá ser al menos tan baja como la temperatura ambiente mínima permitida.
- No está permitido montar pilas o capacitores en la caja antideflagrante.
- Montaje dentro de cajas metálicas

La caja debe ser puesta a tierra contra campos electromagnéticos y carga electrostática.

No es necesaria una conexión por separado al sistema equipotencial. Es suficiente que la conexión a proceso tenga un contacto fijo y seguro con el recipiente metálico o con sus partes estructurales o tuberías, siempre que dichos componentes estén unidos a un sistema equipotencial.
- Montaje dentro de recipientes no metálicos:

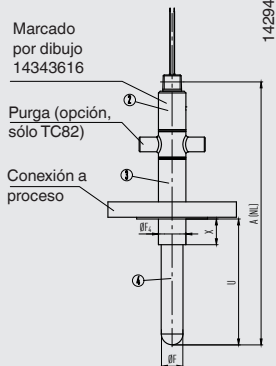
Todos los componentes del termoparconectados en la zona potencialmente explosiva deben ser provistos de una conexión equipotencial.

3. Puesta en servicio y funcionamiento

3.5 Visión general de las zonas de temperatura e instrucciones de seguridad para las diferentes variantes

Módulo básico
Modelo TC82-M, TC83-M

Marcado por dibujo 14343616

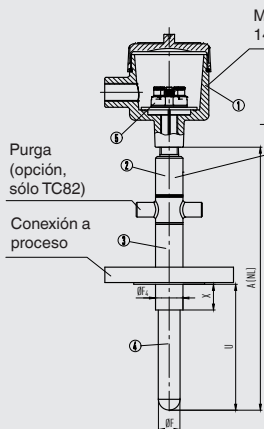


14294554.02

Leyenda:

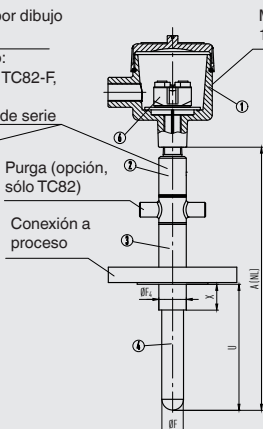
- | | |
|----------------------------|---|
| ① Cabezal | A (NL) Longitud nominal |
| ② Cuello | U Longitud de montaje |
| ③ Tubo de soporte metálico | X Longitud del tubo de soporte por debajo de la conexión de proceso |
| ④ Vaina de cerámica | |
| ⑤ Regleta de bornes | |
| ⑥ Transmisor (opción) | |
| ⑦ Transmisor de campo | |

Variante 1 sin transmisor
Modelo TC82-F, TC83-F



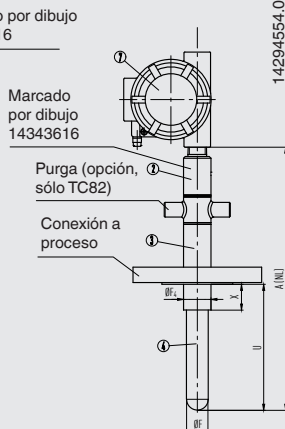
Marcado por dibujo 14343616
Marcado: Parte de TC82-F, TC83-F
Número de serie

Variante 2 con transmisor
Modelo TC82-F, TC83-F



Marcado por dibujo 14343616

Variante 3 con transmisor de campo, modelo TC82-F, TC83-F

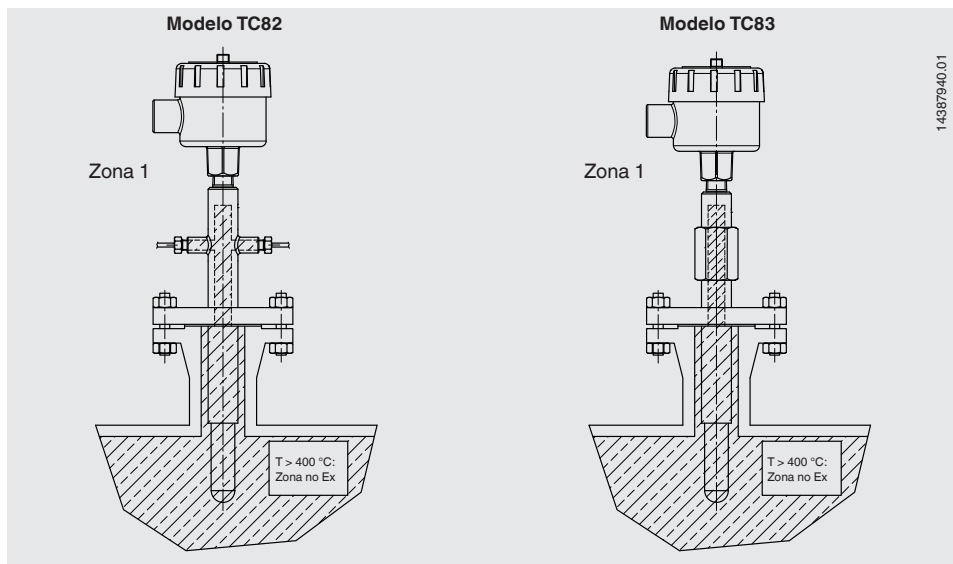


Marcado por dibujo 14343616

14294554.02

ES

3. Puesta en servicio y funcionamiento



3.5.1 Variante 1

El termopar está montado en una caja vacía certificada para el tipo de protección “envolvente antideflagrante”, en la cual se encuentra una regleta de bornes.

Detección y conversión del voltaje termoeléctrico mediante un módulo electrónico fuera de la zona de peligro.

Marcaje: II 2/-G Ex db IIC T6 ... T1 Gb/-

La caja a prueba de presión o el cabezal de conexión se encuentra en la zona 1 (o zona 2). El sensor se encuentra en una zona Ex.

En la variante 1 no se produce un calentamiento en el cabezal de conexión. Sin embargo, no está permitido un reflujo térmico proveniente del proceso que supere la temperatura de servicio de la caja o la clase de temperatura. Para prevenir este efecto, se aplica un aislamiento térmico adecuado o un tubo de cuello suficientemente largo.

3.5.2 Variante 2

El termopar está montado en una caja vacía certificada, en la que está instalada un sistema electrónico.

La señal es una señal de corriente (4 ... 20 mA), una señal de tensión (0 ... 10 V) o una señal de bus de campo, que se genera a partir de un transmisor montado en el cabezal.

3. Puesta en servicio y funcionamiento

Marcaje: II 2/-G Ex db IIC T6 ... T1 Gb/-

La caja a prueba de presión o el cabezal de conexión se encuentra en la zona 1 (o zona 2).
El sensor se encuentra en una zona Ex.

Para todos los cabezales de conexión WIKA con transmisores de temperatura WIKA incorporados rige la siguiente relación:

El aumento de temperatura en la superficie del cabezal de conexión o de la caja es inferior a 25 K cuando se cumplen las siguientes condiciones: corriente auxiliar U_B máximo DC 30 V, cuando el transmisor se opera en la limitación de corriente de 22,5 mA.
En la variante 2 puede producirse un calentamiento en el cabezal de conexión debido a un sistema electrónico fallido. Las temperaturas ambiente se rigen por las cajas utilizadas y del transmisor de cabezal incorporado adicionalmente.

ES

Sin embargo, debe impedirse un reflujó térmico no permitido proveniente del proceso, que supere la temperatura de trabajo o la clase de temperatura del transmisor o de la caja, mediante un aislamiento térmico adecuado o un tubo de cuello suficientemente largo.

3.5.3 Variante 3

La sonda está montada en un equipo certificado (transmisor) para el tipo de protección “envolvente antideflagrante”.

La señal es una señal de corriente (4 ... 20 mA), una señal de tensión (0 ... 10 V) o una señal de bus de campo, que se genera a partir de un transmisor de campo con certificado ATEX/IECEx Ex d.

Deben utilizarse exclusivamente transmisores de campo que figuren en el listado del anexo al certificado Ex d.

Marcaje: II 2/-G Ex db IIC Gb/-

La caja a prueba de presión o el cabezal de conexión se encuentra en la zona 1 (o zona 2).
El sensor se encuentra en una zona Ex.

La marcación principal para los modelos TC82/TC83 se encuentra en la caja de conexión certificada o en el transmisor de campo Ex d, respectivamente.

3.6 Montaje eléctrico

Uso de un transmisor/indicador digital (opcional):

Observar el manual de instrucciones del transmisor/indicador digital (ver de suministro).

Para consultar las temperaturas ambiente admisibles de los transmisores montados, consultar el manual de instrucciones y las homologaciones de los correspondientes transmisores.

Observar las condiciones especiales (véase el capítulo 4 “Condiciones especiales para la utilización (condiciones X)”, punto 3).

3. Puesta en servicio, funcionamiento

Potencia eléctrica de conexión

■ Variante 1

$U_{\text{máx}} = \text{CC } 30 \text{ V}$ (dependiendo del sistema operativo)

Aplicación en atmósferas de metano

Debido al mayor ancho límite de holgura (MESG) y a la mayor corriente de ignición (MIC) del metano, los instrumentos pueden utilizarse también en atmósferas de gases potencialmente explosivos generadas por ello.

■ Variante 2

$U_{\text{máx}} = \text{DC } 30 \text{ V}$

$P_{\text{máx}} = 2 \text{ W}$

■ Variante 3

$U_{\text{máx}} =$ en dependencia del transmisor/indicador digital

$P_{\text{máx}} =$ en la caja: en dependencia del transmisor/indicador digital

ES

3.7 Transferencia de temperatura del proceso

¡Evitar el flujo térmico proveniente del proceso!

Observar las condiciones especiales (véase el capítulo 4 “Condiciones especiales para la utilización (condiciones X)”).

3.8 Junta roscada

Durante el montaje se deben cumplir las especificaciones para juntas roscadas de equipos eléctricos en atmósferas explosivas gaseosas enumeradas a continuación:

■ Junta roscada de roscas cilíndricas (IEC/EN 60079-1, Tabla 4):

Volumen de caja $\leq 100 \text{ cm}^3$: $\geq 5 \text{ mm}$

Volumen de caja $> 100 \text{ cm}^3$: $\geq 8 \text{ mm}$

Deben estar roscadas 5 hilos de rosca como min.

■ Junta roscada de roscas cónicas (IEC/EN 60079-1, Tabla 5):

En cada pieza ≥ 5

Deben estar roscadas 4,5 hilos de rosca como min.

4. Condiciones especiales para la utilización (condiciones X)

4. Condiciones especiales para la utilización (condiciones X)

- 1) Los termopares se instalarán en cajas certificadas Ex d de la serie 1/4000 F, de la serie 7/8000 o de la serie 5/6000, fabricadas por WIKA. Alternativamente, los termopares se instalarán en otras cajas certificadas que figuran en la “Lista de cajas y dispositivos WIKA ATEX e IECEx Ex d” (artículo no.: 14405410.02)
- 2) Debe evitarse un reflujó de calor no permitido del proceso, por ejemplo mediante el aislamiento térmico o el uso de un tubo de cuello extendido. Se produce un reflujó de calor no permitido si el calor del proceso supera la temperatura de servicio de la caja o la clase de temperatura.
- 3) Los anchos de la junta antideflagrante de este aparato son en partes más largos y sus espacios son en partes más pequeños que los requeridos por la Tabla 3 de la IEC/EN 60079-1:2014.
- 4) También deben observarse cuidadosamente las condiciones de uso seguro y las instrucciones de instalación que figuran en el certificado del equipo (transmisor) y de las cajas vacías.

ES



EU-Konformitätserklärung EU Declaration of Conformity

Dokument Nr. 14402085.02
Document No.

Wir erklären in alleiniger Verantwortung, dass die mit CE gekennzeichneten Produkte
We declare under our sole responsibility that the CE marked products

Typenbezeichnung <i>Type Designation</i>	TC82-F-ZZZ	TC82-M-ZZZ	TC83-F-ZZZ	TC83-M-ZZZ
	TC82-F- ^{1,2} DK ^(1,2)	TC82-M- ^{1,2} DK ^(1,2)	TC83-F- ^{1,2} DK ^(1,2)	TC83-M- ^{1,2} DK ^(1,2)
	TC82-F- ^{1,3} IL ^(1,3)	TC82-M- ^{1,3} IL ^(1,3)	TC83-F- ^{1,3} IL ^(1,3)	TC83-M- ^{1,3} IL ^(1,3)
	TC82-F- ^{1,4} IO ^(1,4)	TC82-M- ^{1,4} IO ^(1,4)	TC83-F- ^{1,4} IO ^(1,4)	TC83-M- ^{1,4} IO ^(1,4)

Beschreibung
Description

Hochtemperatur-Thermoelement
High-temperature thermocouple

gemäß gültigem Datenblatt
according to the valid data sheet

TE 65.82, TE 65.83

mit den nachfolgenden relevanten Harmonisierungsvorschriften der Union
übereinstimmen
are in conformity with the following relevant Union harmonisation legislation

Angewandte harmonisierte Normen
Applied harmonised standards

- | | | |
|------------|--|--|
| 2011/65/EU | Gefährliche Stoffe (RoHS)
<i>Hazardous substances (RoHS)</i> | EN IEC 63000:2018 |
| 2014/34/EU | Explosionsschutz (ATEX) ^{(2), (3), (4)}
<i>Explosion protection (ATEX)^{(2), (3), (4)}</i> | |
| 2014/30/EU | Elektromagnetische Verträglichkeit (EMV)
<i>Electromagnetic Compatibility (EMC)</i> | EN 61326-1:2013 ⁽⁵⁾
EN 61326-2-3:2013 ⁽⁵⁾ |



II 2/-G Ex db IIC T* Gb/- or
II 2/-G Ex db IIC Gb/-

- (2) EN IEC 60079-0:2018
EN 60079-1:2014
IEC 60079-26:2021



II 2/-G Ex ia IIC T* Gb/- or
II 2/-G Ex ia IIC Gb/-

- (3) EN IEC 60079-0:2018
EN 60079-11:2012
IEC 60079-26:2021



II 2/-G Ex ia IIC T* Gb/- and II 2/-D Ex ia IIIC T* Db/- or
II 2/-G Ex ia IIC Gb/- and II 2/-D Ex ia IIIC Db/-

- (4) EN IEC 60079-0:2018
EN 60079-11:2012
IEC 60079-26:2021

- (1) Die folgenden Buchstaben für die Ex Zertifizierung ersetzen den Platzhalter *:
A, B, C, D, E, F, G, H, I, J, K, L, M, O, P, Q, R, S, T, U, V, W, X, Y
*The following letters for the Ex certification replace the placeholder *:
A, B, C, D, E, F, G, H, I, J, K, L, M, O, P, Q, R, S, T, U, V, W, X, Y*
- (2), (3) EU-Baumusterprüfbescheinigung BVS 20 ATEX E 044 X von DEKRA Testing and Certification GmbH (Reg.-Nr. 0158).
EU type-examination certificate BVS 20 ATEX E 044 X of DEKRA EXAM Testing and Certification GmbH (Reg. No. 0158).
- (5) Gilt nur mit eingebautem WIKAL Transmitter. Werden Transmitter von anderen Herstellern verwendet, können diese anderen Normen entsprechen. Es sind dann die mitgelieferten Anleitungen und EU-Konformitätserklärungen dieser Transmitter zu beachten.
Applies only to built-in WIKAL transmitter. When using transmitters of other manufacturers, other standards may apply. The instructions and EU Declarations of Conformity supplied with these transmitters must then be observed.

Unterzeichnet für und im Namen von / *Signed for and on behalf of*

WIKAL Alexander Wiegand SE & Co. KG
Klingenberg, 2022-04-11

i.V. S. Heidinger

Stefan Heidinger, Vice President
Electrical Temperature Measurement

Roland Stapf, Head of Quality Management
Process Instrumentation Corporate Quality

WIKAL Alexander Wiegand SE & Co. KG
Alexander-Wiegand-Straße 30
63911 Klingenberg
Germany
WEEE-Reg.-Nr. DE 92770372

Tel. +49 9372 132-0
Fax +49 9372 132-406
E-Mail: info@wika.de
www.wika.de

Kommanditgesellschaft: Sitz Klingenberg –
Amtsgericht: Aschaffenburg HRA 1819

Komplementärin:
WIKAL International SE – Sitz Klingenberg –
Amtsgericht: Aschaffenburg HRB 10505
Vorstand: Alexander Wiegand
Vorsitzender des Aufsichtsrats: Prof. Dr. Roderich C. Thömmel
21AR-03834

Annex 2: WIKA ATEX and IECEx enclosure and device list

The flameproof thermometers type TC82-F, TC82-M, TC83-F, TC83-M¹ must be operated only mounted to the following certified flameproof enclosure/devices with a free volume of less or equal than 2 dm³.
The enclosure/device has a protection class of IP65 as a minimum. Entries for flameproof enclosures: Internal metric threads with a tolerance class of 6H or better according to ISO 965-1 and ISO 965-3 or internal NPT threads in accordance with ANSI/ASME B1.20.1.

No.	Variants			Manufacturer	Model name	EC-Type Examination Certificate	IECEx Certificate of Conformity
1	1	2		WIKA	1/4000, 5/6000, 7/8000	TÜV 18 ATEX 211394 U	IECEx TUN 18.0010U
2			3	WIKA	DIH**-F, TIF**-F	BVS 10 ATEX E 158	IECEx BVS 10.0103
3			3	Yokogawa	YTA series	KEMA 07ATEX0130	IECEx KEM 07.0044
4			3	Rosemount	644	FM12ATEX0065X	IECEx FMG 12.0022X
5			3	Rosemount	3144P	FM12ATEX0065X	IECEx FMG 12.0022X
6	1	2		Rosemount	Connection Head	Baseefa14ATEX0228U	IECEx BAS 14.0106U
7			3	ABB	TTF300	PTB 99 ATEX 1144	IECEx PTB 12.0039
8	1	2		Limatherm	XD-ID100 series	FTZU 04 ATEX 0332 U	IECEx FTZU 10.0019U
9	1	2		Limatherm	XD-A series	FTZU 03 ATEX 0074 U	IECEx FTZU 14.0003U

14405410.02

WIKA subsidiaries worldwide can be found online at www.wika.com.
WIKA-Niederlassungen weltweit finden Sie online unter www.wika.de.
La liste des filiales WIKA dans le monde se trouve sur www.wika.fr.
Las sucursales WIKA en todo el mundo puede encontrar en www.wika.es.



Importer for UK
WIKAI Instruments Ltd
Unit 6 and 7 Goya Business park
The Moor Road
Sevenoaks
Kent
TN14 5GY



WIKAI Alexander Wiegand SE & Co. KG
Alexander-Wiegand-Strasse 30
63911 Klingenberg • Germany
Tel. +49 9372 132-0
info@wika.de
www.wika.de