

# OBSOLETE

Operating instructions  
Betriebsanleitung  
Mode d'emploi  
Manual de instrucciones

Float switch, model GLS-1000

EN

Schwimmerschalter, Typ GLS-1000

DE

Contact à flotteur, type GLS-1000

FR

Interruptor de flotador, modelo GLS-1000

ES

CE



With cable outlet and  
Buna float



With circular connector M12 x 1 and  
cylindrical float

**WIKAL**

Part of your business

<b>EN</b>	<b>Operating instructions model GLS-1000</b>	<b>Page</b>	<b>3 - 18</b>
<b>DE</b>	<b>Betriebsanleitung Typ GLS-1000</b>	<b>Seite</b>	<b>19 - 34</b>
<b>FR</b>	<b>Mode d'emploi type GLS-1000</b>	<b>Page</b>	<b>35 - 50</b>
<b>ES</b>	<b>Manual de instrucciones modelo GLS-1000</b>	<b>Página</b>	<b>51 - 66</b>

© 11/2018 WIKA Alexander Wiegand SE & Co. KG  
All rights reserved. / Alle Rechte vorbehalten.  
WIKA® is a registered trademark in various countries.  
WIKA® ist eine geschützte Marke in verschiedenen Ländern.

Prior to starting any work, read the operating instructions!  
Keep for later use!

Vor Beginn aller Arbeiten Betriebsanleitung lesen!  
Zum späteren Gebrauch aufbewahren!

Lire le mode d'emploi avant de commencer toute opération !  
A conserver pour une utilisation ultérieure !

¡Leer el manual de instrucciones antes de comenzar cualquier trabajo!  
¡Guardar el manual para una eventual consulta!

# Contents

<b>1. General information</b>	<b>4</b>
<b>2. Design and function</b>	<b>5</b>
<b>3. Safety</b>	<b>6</b>
<b>4. Transport, packaging and storage</b>	<b>10</b>
<b>5. Commissioning, operation</b>	<b>11</b>
<b>6. Faults</b>	<b>14</b>
<b>7. Maintenance and cleaning</b>	<b>15</b>
<b>8. Dismounting, return and disposal</b>	<b>16</b>
<b>9. Specifications</b>	<b>17</b>

Declarations of conformity can be found online at [www.wika.com](http://www.wika.com).

# 1. General information

## 1. General information

EN

- The float switch described in the operating instructions has been designed and manufactured using state-of-the-art technology. All components are subject to stringent quality and environmental criteria during production. Our management systems are certified to ISO 9001 and ISO 14001.
- These operating instructions contain important information on handling the instrument. Working safely requires that all safety instructions and work instructions are observed.
- Observe the relevant local accident prevention regulations and general safety regulations for the instrument's range of use.
- The operating instructions are part of the product and must be kept in the immediate vicinity of the instrument and readily accessible to skilled personnel at any time. Pass the operating instructions on to the next operator or owner of the instrument.
- Skilled personnel must have carefully read and understood the operating instructions prior to beginning any work.
- The general terms and conditions contained in the sales documentation shall apply.
- Subject to technical modifications.
- Further information:
  - Internet address: [www.wika.de](http://www.wika.de) / [www.wika.com](http://www.wika.com)
  - Relevant data sheet: LM 50.10
  - Application consultant: Tel.: +49 9372 132-0  
Fax: +49 9372 132-406  
[info@wika.de](mailto:info@wika.de)

## 2. Design and function

### 2. Design and function

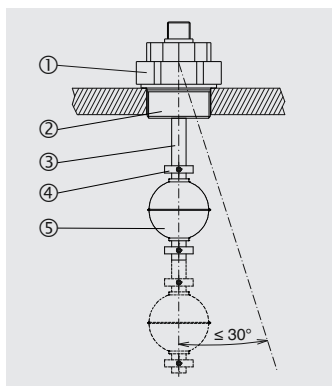
#### 2.1 Functional description

The GLS-1000 is used for the detection of limit levels in liquids. A permanent magnet built into the float ⑤ triggers, with its magnetic field, a magnetic-field-dependent semiconductor.

Activation of the semiconductor triggers a change in the switching state “open” or “closed” of the PNP/NPN switching output signal.

The permanent magnet is located within a float, which changes its height with the level of the medium it is monitoring. The number and arrangement of floats is dependent on the number of the defined switch points, their output function and also the distance between the switch points.

The float switch model GLS-1000 is suitable for liquids such as oils, water, distilled water, aqueous and foaming media.



- ① Cable/Plug outlet
- ② Mounting thread
- ③ Guide tube
- ④ Float stop
- ⑤ Float

## 2. Design and function / 3. Safety

### 2.2 Scope of delivery

- Float switch
- Operating instructions

Cross-check scope of delivery with delivery note.

EN

## 3. Safety

### 3.1 Explanation of symbols



#### **DANGER!**

... indicates a directly dangerous situation resulting in serious injury or death, if not avoided.



#### **WARNING!**

... indicates a potentially dangerous situation that can result in serious injury or death, if not avoided.



#### **CAUTION!**

... indicates a potentially dangerous situation that can result in light injuries or damage to property or the environment, if not avoided.



#### **Information**

... points out useful tips, recommendations and information for efficient and trouble-free operation.

### 3.2 Intended use

This float switch is used exclusively for monitoring the levels of liquid media. The scope of application is defined by the technical performance limits and materials.

### 3. Safety

EN

- The liquids must not have any large contamination or coarse particles and must not have a tendency to crystallise. Ensure that the wetted materials of the float switch are sufficiently resistant to the medium being monitored. Not suitable for dispersions, abrasive liquids, highly viscous media and colours.
- This instrument is not permitted to be used in hazardous areas!
- The operating conditions specified in the operating instructions must be observed.
- Do not operate the instrument in the direct vicinity of ferromagnetic environments (min. distance 100 mm).
- Do not operate the instrument in the immediate vicinity of strong electromagnetic fields or in the immediate vicinity of equipment that can be affected by magnetic fields (min. clearance 1 m).
- The float switches must not be exposed to heavy mechanical strain (impact, bending).
- The technical specifications contained in these operating instructions must be observed. Improper handling or operation of the instrument outside of its technical specifications requires the instrument to be taken out of service immediately and inspected by an authorised WIKA service engineer.

The instrument has been designed and built solely for the intended use described here, and may only be used accordingly.

The manufacturer shall not be liable for claims of any type based on operation contrary to the intended use.



**DANGER!**  
**Physical injuries**

Work on containers involves the danger of intoxication and suffocation.

- ▶ No work is allowed to be carried out unless by taking suitable personal protective measures (e.g. respiratory protection apparatus, protective clothing etc.).

## 3. Safety

### 3.3 Improper use

Improper use is defined as any application that exceeds the technical performance limits or is not compatible with the materials.

EN



#### **WARNING!**

#### **Injuries through improper use**

Improper use of the instrument can lead to hazardous situations and injuries.

- ▶ Refrain from unauthorised modifications to the instrument.
- ▶ Do not use the instrument within hazardous areas.

Any use beyond or different to the intended use is considered as improper use.

Do not use this instrument in safety or emergency stop devices.

### 3.4 Responsibility of the operator

The instrument is used in the industrial sector. The operator is therefore responsible for legal obligations regarding safety at work.

The safety instructions within these operating instructions, as well as the safety, accident prevention and environmental protection regulations for the application area must be maintained.

To ensure safe working on the instrument, the operating company must ensure

- that suitable first-aid equipment is available and aid is provided whenever required.
- that the operating personnel are regularly instructed in all topics regarding work safety, first aid and environmental protection and know the operating instructions and in particular, the safety instructions contained therein.
- that the instrument is suitable for the particular application in accordance with its intended use.
- that following testing, improper use of the instrument is excluded.



### 3.5 Personnel qualification



#### **WARNING!**

#### **Risk of injury should qualification be insufficient**

Improper handling can result in considerable injury and damage to equipment.

- ▶ The activities described in these operating instructions may only be carried out by skilled personnel who have the qualifications described below.

#### **Skilled personnel**

Skilled personnel, authorised by the operator, are understood to be personnel who, based on their technical training, knowledge of measurement and control technology and on their experience and knowledge of country-specific regulations, current standards and directives, are capable of carrying out the work described and independently recognising potential hazards.

#### **3.6 Personal protective equipment**

The personal protective equipment is designed to protect the skilled personnel from hazards that could impair their safety or health during work. When carrying out the various tasks on and with the instrument, the skilled personnel must wear personal protective equipment.

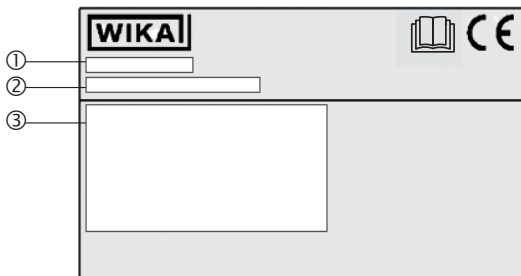
#### **Follow the instructions displayed in the work area regarding personal protective equipment!**

The requisite personal protective equipment must be provided by the operating company.

## 3. Safety / 4. Transport, packaging, storage

### 3.7 Labelling, safety marks

#### Product label (example)



- ① Model
- ② P# article number  
S# serial number
- ③ Electrical connection



Before mounting and commissioning the instrument, ensure you read the operating instructions!

## 4. Transport, packaging and storage

### 4.1 Transport

Check the float switch for any damage that may have been caused by transport. Obvious damage must be reported immediately.



#### **CAUTION!**

#### **Damage to property**

With improper transport, a high level of damage to property can occur.

- ▶ Observe the symbols on the packaging.
- ▶ Handle packed goods with care.

## 4. Transport ... / 5. Commissioning, operation

### 4.2 Packaging and storage

Do not remove packaging until just before commissioning.

#### Permissible conditions at the place of storage:

Storage temperature: -30 ... +80 °C (-22 ... +176 °F)

EN

## 5. Commissioning, operation

- Observe all instructions given on the shipment packaging for removing the transportation safety devices.
- Remove the float switch carefully from the packaging!
- When unpacking, check all components for any external damage.

### 5.1 Mounting preparation



#### Functional check

Before mounting, the float switch can be connected as described in chapter 5.3 and the switch points can be operated manually.



#### CAUTION!

##### Damage to property

When performing the functional check on the active plant, processes can be started unintentionally.

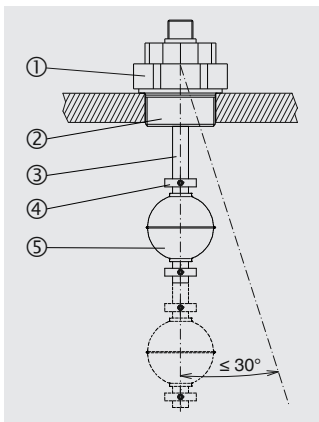
- ▶ The switches must not be tested on the active control of the plant.

Ensure that the sealing faces of the vessel or float switch are clean and do not show any mechanical damage.

## 5. Commissioning, operation

### 5.2 Mounting

- Observe the torque values of threads specified in pipefitting work.
- In the selection of the mounting material (sealings and nuts), take the process conditions into account. The suitability of the sealing must be specified with regard to the medium and its vapours. In addition, ensure it has corresponding corrosion resistance.
- Before installation, ensure that the mounting hole and the fixing device for the float switch in the vessel are correct in size and dimension.
- Mount the float switch pressure-tight via the mounting thread ②.
- The guide tube ③ should not be inclined more than a maximum of  $30^\circ$  to the vertical.
- If the geometry of the float does not fit through the process connection, the float must be removed before mounting.
  - For this, before removal, mark the position of the float stops ④ with a waterproof pen.
  - Mark the mounting position of the floats (e.g. "Up").
  - After the float switch has been mounted, re-attach the float within the inside of the tank (pay attention to the mounting position!).
  - Float stops ⑤ must then be re-attached at the marked points.
- The number of floats and also the position of the float stops are dependent upon the dimension and the number of switch points.



## 5. Commissioning, operation

### 5.3 Electrical connection

- The electrical connection must only be made by qualified skilled personnel.
- Connection details and switching functions are given on the connection diagram.
- The mains connection lines to be provided must be dimensioned for maximum instrument current supply and comply with IEC 227 or IEC 245.

### Requirement for shielding and grounding

The instrument must be connected to the equipotential bonding of the plant. The connection is made via the process connection of the instrument.

Connection diagrams, see product label

### 5.4 Commissioning

Switch on the voltage supply of the connected control device. Fill the vessel and check the switch points of the float switch for function.



#### **CAUTION!**

#### **Damage to property**

When performing the functional check on the active plant, processes can be started unintentionally. Mixing up the connections can cause malfunctions of the switch.

- ▶ The switches must not be tested on the active control of the plant.
- ▶ Check the connections to ensure correct operation of the plant.

Always observe the mounting and operating instructions of accessories when commissioning them.

## 6. Faults

### 6. Faults

EN



The following table contains the most frequent causes of faults and the necessary countermeasures.

Faults	Causes	Measures
<b>Float switch cannot be mounted at the planned place on the vessel</b>	Process connection of the float switch does not match the process connection of the vessel.	Modification of the vessel Return to the factory
	Process connection at the vessel defective	Rework the thread or replace the screwed coupling
<b>No function</b>	Failure in power supply	Measure voltage, check cable or plug connection
<b>No/wrong output signal</b>	Wiring error or switching of switching logic	Observe the pin assignment
		Check the output configuration, replace instrument or match to control



#### **CAUTION!** **Physical injuries and damage to property and the environment**

If faults cannot be eliminated by means of the listed measures, the instrument must be taken out of operation immediately.

- ▶ Ensure that there is no longer any pressure present and protect against being put into operation accidentally.
- ▶ Contact the manufacturer.
- ▶ If a return is needed, please follow the instructions given in chapter 8.2 „Return“.

## 7. Maintenance and cleaning

EN

### 7. Maintenance and cleaning

#### 7.1 Maintenance

When used properly, the float switch works maintenance-free. It must be subjected to visual inspection within the context of regular maintenance, however, and included in the vessel pressure test.



**DANGER!**  
**Physical injuries**

Work on containers involves the danger of intoxication and suffocation.

- ▶ No work is allowed to be carried out unless by taking suitable personal protective measures (e.g. respiratory protection apparatus, protective clothing etc.).

Repairs must only be carried out by the manufacturer.



The function of the float switch can only be ensured when original accessories and spare parts are used.

#### 7.2 Cleaning



**CAUTION!**  
**Physical injuries and damage to property and the environment**

Improper cleaning may lead to physical injuries, damage to property and the environment and to damage to the instrument. Residual media in the dismantled instrument can result in a risk to persons, the environment and equipment.

- ▶ Rinse or clean the dismantled instrument.
- ▶ Sufficient precautionary measures must be taken.
- ▶ Do not use any aggressive cleaning agents.
- ▶ Do not use any hard or pointed objects for cleaning.

## 8. Dismounting, return and disposal

1. Prior to cleaning, properly disconnect the instrument from the process and the power supply.
2. Clean the instrument carefully with a moist cloth.
3. Electrical connections must not come into contact with moisture!

EN

## 8. Dismounting, return and disposal



### WARNING!

#### Physical injuries and damage to property and the environment through residual media

Residual media in the dismantled instrument can result in a risk to persons, the environment and equipment.

- ▶ Wash or clean the dismantled instrument, in order to protect persons and the environment from exposure to residual media.

### 8.1 Dismounting

Only disconnect the measuring instrument once the system has been depressurised and the power disconnected!

### 8.2 Return

Wash or clean the dismantled float switch before returning it, in order to protect personnel and the environment from exposure to residual media.



Information on returns can be found under the heading "Service" on our local website.

### 8.3 Disposal

Incorrect disposal can put the environment at risk.

Dispose of instrument components and packaging materials in an environmentally compatible way and in accordance with the country-specific waste disposal regulations.



## 9. Specifications

EN

### 9. Specifications

#### Specifications

<b>Output signal</b>	
■ Level	Up to 4 switch points, PNP or NPN
■ Temperature	<ul style="list-style-type: none"> <li>■ Pt100, 2-wire, class B per DIN EN 60751</li> <li>■ Pt1000, 2-wire, class B per DIN EN 60751</li> </ul>
<b>Switching function</b>	Normally open or closed - see product label
<b>Switching current</b>	Max. 200 mA
<b>Total current consumption</b>	Per switching output: max. 10 mA + switching current
<b>Switch point accuracy</b>	±1 mm
<b>Power supply</b>	DC 5 ... 30 V
<b>Mounting position</b>	±30°
<b>Material</b>	
■ Wetted	Process connection, guide tube: Stainless steel 316Ti Float: See table page 18
■ Non-wetted	Case: Stainless steel 316Ti Electrical connection: See table below
<b>Permissible temperatures</b>	
■ Medium	-40 ... +80 °C [-40 ... +176 °F] -40 ... +110 °C [-40 ... +230 °F] <sup>1)</sup>
■ Ambient	-40 ... +80 °C [-40 ... +176 °F]
■ Storage	-30 ... +80 °C [-22 ... +176 °F]

Electrical connections	Ingress protection per IEC/EN 60529 <sup>2)</sup>	Material	Cable length
<b>Circular connector M12 x 1 (4-, 5- or 8-pin)</b>	IP65	TPU, brass	-
<b>Cable outlet</b>	IP67	PVC	■ 2 m [6.5 ft]
<b>Cable outlet</b>	IP67	PUR	■ 5 m [16.4 ft]
<b>Cable outlet</b>	IP67	Silicone	other lengths on request

1) Not with cable material: PVC, PUR

2) The stated ingress protection (per IEC/EN 60529) only applies when plugged in using mating connectors that have the appropriate ingress protection.

## 9. Specifications

### Overview of floats

EN

Form	Outer Ø D	Height H	Operating pressure	Medium tempera- ture	Density	Material
Cylinder	44 mm [1.7 in]	52 mm [2.0 in]	≤ 16 bar [≤ 232 psi]	≤ 110 °C [≤ 230 °F]	≥ 750 kg/m <sup>3</sup> [46.8 lbs/ft <sup>3</sup> ]	316 Ti
Cylinder	30 mm [1.2 in]	36 mm [1.4 in]	≤ 10 bar [≤ 145 psi]	≤ 110 °C [≤ 230 °F]	≥ 850 kg/m <sup>3</sup> [53.1 lbs/ft <sup>3</sup> ]	316 Ti
Cylinder	25 mm [1.0 in]	20 mm [0.8 in]	≤ 16 bar [≤ 232 psi]	≤ 80 °C [≤ 176 °F]	≥ 750 kg/m <sup>3</sup> [46.8 lbs/ft <sup>3</sup> ]	Buna / NBR
Sphere	52 mm [2.0 in]	52 mm [2.0 in]	≤ 40 bar [≤ 580 psi]	≤ 110 °C [≤ 230 °F]	≥ 750 kg/m <sup>3</sup> [46.8 lbs/ft <sup>3</sup> ]	316 Ti

### Electrical safety

Short-circuit resistance	SP1 / SP2 / SP3 / SP4 vs. U-
Reverse polarity protection	U+ vs. U-
Insulation voltage	DC 500 V
Overvoltage protection	DC 40 V

For further specifications see WIKA data sheet LM 50.10 and the order documentation.

# Inhalt

<b>1. Allgemeines</b>	<b>20</b>
<b>2. Aufbau und Funktion</b>	<b>21</b>
<b>3. Sicherheit</b>	<b>22</b>
<b>4. Transport, Verpackung und Lagerung</b>	<b>26</b>
<b>5. Inbetriebnahme, Betrieb</b>	<b>27</b>
<b>6. Störungen</b>	<b>30</b>
<b>7. Wartung und Reinigung</b>	<b>31</b>
<b>8. Demontage, Rücksendung und Entsorgung</b>	<b>32</b>
<b>9. Technische Daten</b>	<b>33</b>

Konformitätserklärungen finden Sie online unter [www.wika.de](http://www.wika.de).

## 1. Allgemeines

DE

- Der in der Betriebsanleitung beschriebene Schwimmerschalter wird nach dem aktuellen Stand der Technik konstruiert und gefertigt. Alle Komponenten unterliegen während der Fertigung strengen Qualitäts- und Umweltkriterien. Unsere Managementsysteme sind nach ISO 9001 und ISO 14001 zertifiziert.
- Diese Betriebsanleitung gibt wichtige Hinweise zum Umgang mit dem Gerät. Voraussetzung für sicheres Arbeiten ist die Einhaltung aller angegebenen Sicherheitshinweise und Handlungsanweisungen.
- Die für den Einsatzbereich des Gerätes geltenden örtlichen Unfallverhütungsvorschriften und allgemeinen Sicherheitsbestimmungen einhalten.
- Die Betriebsanleitung ist Produktbestandteil und muss in unmittelbarer Nähe des Gerätes für das Fachpersonal jederzeit zugänglich aufbewahrt werden. Betriebsanleitung an nachfolgende Benutzer oder Besitzer des Gerätes weitergeben.
- Das Fachpersonal muss die Betriebsanleitung vor Beginn aller Arbeiten sorgfältig durchgelesen und verstanden haben.
- Es gelten die allgemeinen Geschäftsbedingungen in den Verkaufsunterlagen.
- Technische Änderungen vorbehalten.
- Weitere Informationen:
  - Internet-Adresse: [www.wika.de](http://www.wika.de) / [www.wika.com](http://www.wika.com)
  - Zugehöriges Datenblatt: LM 50.10
  - Anwendungsberater: Tel.: +49 9372 132-0  
Fax: +49 9372 132-406  
[info@wika.de](mailto:info@wika.de)

### 2. Aufbau und Funktion

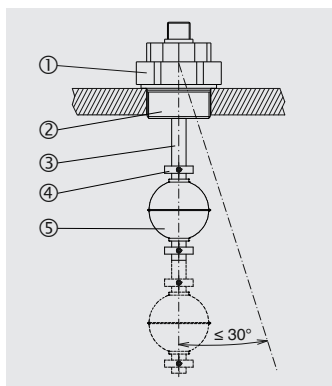
#### 2.1 Funktionsbeschreibung

Der GLS-1000 dient zur Grenzstandserfassung von Flüssigkeiten. Ein im Schwimmer ⑤ eingebauter Permanentmagnet aktiviert durch sein Magnetfeld einen magnetfeldabhängigen Halbleiter.

Durch die Aktivierung des Halbleiters wird eine Schaltzustandsänderung „offen“ bzw. „geschlossen“ des PNP-/NPN-Schaltausgangssignals ausgelöst.

Der Permanentmagnet befindet sich in einem Schwimmer, der seine Höhenlage mit dem Flüssigkeitspegel des zu überwachenden Messstoffes verändert. Die Anzahl und Anordnung der Schwimmer ist abhängig von der Anzahl der vorgegebenen Schaltpunkte, deren Ausgangsfunktion sowie dem Abstand der Schaltpunkte.

Der Schwimmerschalter Typ GLS-1000 ist geeignet für Flüssigkeiten wie Öle, Wasser, destilliertes Wasser, wässrige und schäumende Medien.



- ① Kabel-/Steckerausgang
- ② Einschraubgewinde
- ③ Gleitrohr
- ④ Schwimmeranschlag
- ⑤ Schwimmer

### 2.2 Lieferumfang

- Schwimmerschalter
- Betriebsanleitung

Lieferumfang mit dem Lieferschein abgleichen.

DE

## 3. Sicherheit

### 3.1 Symbolerklärung



#### **GEFAHR!**

... weist auf eine unmittelbar gefährliche Situation hin, die zum Tod oder zu schweren Verletzungen führt, wenn sie nicht gemieden wird.



#### **WARNUNG!**

... weist auf eine möglicherweise gefährliche Situation hin, die zum Tod oder zu schweren Verletzungen führen kann, wenn sie nicht gemieden wird.



#### **VORSICHT!**

... weist auf eine möglicherweise gefährliche Situation hin, die zu geringfügigen oder leichten Verletzungen bzw. Sach- und Umweltschäden führen kann, wenn sie nicht gemieden wird.



#### **Information**

... hebt nützliche Tipps und Empfehlungen sowie Informationen für einen effizienten und störungsfreien Betrieb hervor.

### 3.2 Bestimmungsgemäße Verwendung

Dieser Schwimmerschalter dient ausschließlich der Füllstandsüberwachung von flüssigen Messstoffen. Der Einsatzbereich ergibt sich aus den technischen Leistungsgrenzen und Werkstoffen.

### 3. Sicherheit

DE

- Die Flüssigkeiten dürfen keine starken Verschmutzungen oder Grobteile aufweisen und nicht zum Auskristallisieren neigen. Es ist sicherzustellen, dass die messstoffberührten Werkstoffe des Schwimmerschalters gegen den zu überwachenden Messstoff ausreichend beständig sind. Nicht geeignet für Dispersionen, abrasive Flüssigkeiten, hochviskose Medien und Farben.
- Dieses Gerät ist nicht für den Einsatz in explosionsgefährdeten Bereichen zugelassen!
- Die in der Betriebsanleitung angegebenen Einsatzbedingungen sind einzuhalten.
- Gerät nicht in unmittelbarer Nähe von ferromagnetischer Umgebung (Abstand min. 100 mm) betreiben.
- Gerät nicht in unmittelbarer Nähe von starken elektromagnetischen Feldern bzw. in unmittelbarer Nähe von Einrichtungen betreiben, die durch Magnetfelder beeinflusst werden können (Abstand min. 1 m).
- Die Schwimmerschalter dürfen keinen starken mechanischen Belastungen (Stoß, Verbiegen) ausgesetzt werden.
- Die technischen Spezifikationen in dieser Betriebsanleitung sind einzuhalten. Eine unsachgemäße Handhabung oder ein Betreiben des Gerätes außerhalb der technischen Spezifikationen macht die sofortige Stilllegung und Überprüfung durch einen autorisierten WIKA-Servicemitarbeiter erforderlich.

Das Gerät ist ausschließlich für den hier beschriebenen bestimmungsgemäßen Verwendungszweck konzipiert und konstruiert und darf nur dementsprechend verwendet werden.

Ansprüche jeglicher Art aufgrund von nicht bestimmungsgemäßer Verwendung sind ausgeschlossen.



#### **GEFAHR!** **Körperverletzungen**

Beim Arbeiten an Behältern besteht Vergiftungs- oder Erstickenungsgefahr.

- ▶ Arbeiten nur unter Anwendung geeigneter Personenschutzmaßnahmen (z. B. Atemschutzgerät, Schutzkleidung o. Ä.) durchführen.

## 3. Sicherheit

### 3.3 Fehlgebrauch

Als Fehlgebrauch gilt jede Verwendung, die die technischen Leistungsgrenzen überschreitet oder mit den Werkstoffen unverträglich ist.



#### **WARNUNG!**

#### **Verletzungen durch Fehlgebrauch**

Fehlgebrauch des Gerätes kann zu gefährlichen Situationen und Verletzungen führen.

- ▶ Eigenmächtige Umbauten am Gerät unterlassen.
- ▶ Gerät nicht in explosionsgefährdeten Bereichen einsetzen.

Jede über die bestimmungsgemäße Verwendung hinausgehende oder andersartige Benutzung gilt als Fehlgebrauch.

Dieses Gerät nicht in Sicherheits- oder in Not-Aus-Einrichtungen benutzen.

### 3.4 Verantwortung des Betreibers

Das Gerät wird im gewerblichen Bereich eingesetzt. Der Betreiber unterliegt daher den gesetzlichen Pflichten zur Arbeitssicherheit.

Die Sicherheitshinweise dieser Betriebsanleitung, sowie die für den Einsatzbereich des Gerätes gültigen Sicherheits-, Unfallverhütungs- und Umweltschutzvorschriften einhalten.

Für ein sicheres Arbeiten am Gerät muss der Betreiber sicherstellen,

- dass eine entsprechende Erste-Hilfe-Ausrüstung vorhanden ist und bei Bedarf jederzeit Hilfe zur Stelle ist.
- dass das Bedienpersonal regelmäßig in allen zutreffenden Fragen von Arbeitssicherheit, Erste Hilfe und Umweltschutz unterwiesen wird, sowie die Betriebsanleitung und insbesondere die darin enthaltenen Sicherheitshinweise kennt.
- dass das Gerät gemäß der bestimmungsgemäßen Verwendung für den Anwendungsfall geeignet ist.
- dass nach Prüfung ein Fehlgebrauch des Gerätes ausgeschlossen ist.



### 3.5 Personalqualifikation



#### **WARNUNG!**

#### **Verletzungsgefahr bei unzureichender Qualifikation**

Unsachgemäßer Umgang kann zu erheblichen Personen- und Sachschäden führen.

- ▶ Die in dieser Betriebsanleitung beschriebenen Tätigkeiten nur durch Fachpersonal nachfolgend beschriebener Qualifikation durchführen lassen.

DE

### **Fachpersonal**

Das vom Betreiber autorisierte Fachpersonal ist aufgrund seiner fachlichen Ausbildung, seiner Kenntnisse der Mess- und Regelungstechnik und seiner Erfahrungen sowie Kenntnis der landesspezifischen Vorschriften, geltenden Normen und Richtlinien in der Lage, die beschriebenen Arbeiten auszuführen und mögliche Gefahren selbstständig zu erkennen.

### **3.6 Persönliche Schutzausrüstung**

Die persönliche Schutzausrüstung dient dazu, das Fachpersonal gegen Gefahren zu schützen, die dessen Sicherheit oder Gesundheit bei der Arbeit beeinträchtigen könnten. Beim Ausführen der verschiedenen Arbeiten an und mit dem Gerät muss das Fachpersonal persönliche Schutzausrüstung tragen.

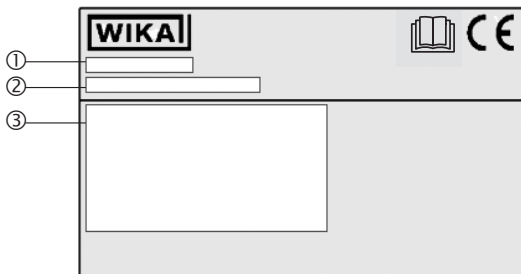
### **Im Arbeitsbereich angebrachte Hinweise zur persönlichen Schutzausrüstung befolgen!**

Die erforderliche persönliche Schutzausrüstung muss vom Betreiber zur Verfügung gestellt werden.

## 3. Sicherheit / 4. Transport, Verpackung, Lagerung

### 3.7 Beschilderung, Sicherheitskennzeichnungen

#### Typenschild (Beispiel)



DE

- ① Typ
- ② P# Artikelnummer  
S# Seriennummer
- ③ Elektrischer Anschluss



Vor Montage und Inbetriebnahme des Gerätes unbedingt die Betriebsanleitung lesen!

## 4. Transport, Verpackung und Lagerung

### 4.1 Transport

Schwimmerschalter auf eventuell vorhandene Transportschäden untersuchen. Offensichtliche Schäden unverzüglich mitteilen.



#### **VORSICHT!** **Sachschäden**

Bei unsachgemäßem Transport können Sachschäden in erheblicher Höhe entstehen.

- ▶ Symbole auf der Verpackung beachten.
- ▶ Packstücke vorsichtig behandeln.

### 4.2 Verpackung und Lagerung

Verpackung erst unmittelbar vor der Inbetriebnahme entfernen.

### Zulässige Bedingungen am Lagerort:

Lagertemperatur: -30 ... +80 °C (-22 ... +176 °F)

DE

## 5. Inbetriebnahme, Betrieb

- Alle auf der Versandverpackung angegebenen Hinweise zum Entfernen der Transportsicherungen beachten.
- Den Schwimmerschalter vorsichtig aus der Verpackung entnehmen!
- Beim Auspacken alle Teile auf äußerliche Beschädigungen überprüfen.

### 5.1 Montagevorbereitung



#### Funktionsprüfung

Vor der Montage kann der Schwimmerschalter wie unter Kapitel 5.3 beschrieben angeschlossen und die Schaltpunkte manuell betätigt werden.



#### VORSICHT!

#### Sachschäden

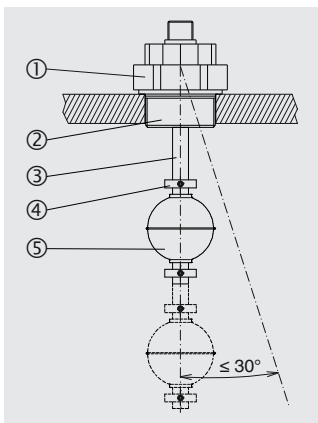
Bei Durchführung der Funktionsprüfung an der aktiven Anlage können Prozesse unbeabsichtigt gestartet werden.

- ▶ Die Prüfung der Schalter darf nicht an der aktiven Steuerung der Anlage erfolgen.

Sicherstellen, dass die Dichtflächen des Behälters bzw. des Schwimmerschalters sauber sind und keine mechanische Beschädigung aufweisen.

### 5.2 Montage

- Die im Rohrleitungsbau vorgeschriebenen Drehmomentwerte der Gewinde einhalten.
- Bei der Auswahl des Montagematerials (Dichtungen und Muttern) die Prozessbedingungen beachten. Die Eignung der Dichtung muss hinsichtlich Messstoff und dessen Dämpfen gegeben sein. Zusätzlich auf entsprechende Korrosionsbeständigkeit achten.
- Vor dem Einbau sicherstellen, dass die im Behälter angebrachte Einbauöffnung und die Befestigungsvorrichtung des Schwimmerschalters in Größe und Dimensionierung übereinstimmen.
- Schwimmerschalter über Einschraubgewinde ② druckdicht montieren.
- Das Gleitrohr ③ darf maximal 30° zur Vertikalen geneigt sein.
- Passt die Geometrie des Schwimmers nicht durch den Prozessanschluss, muss der Schwimmer vor der Montage entfernt werden.
  - Dazu Position der Schwimmeranschläge ④ vor dem Abbauen mit einem wasserfesten Stift markieren.
  - Einbaulage der Schwimmer kennzeichnen (z. B. „Oben“).
  - Nach der Montage des Schwimmerschalters den Schwimmer im Inneren des Tanks wieder anbauen (Einbaulage beachten!).
  - Schwimmeranschläge ⑤ anschließend an den markierten Stellen wieder befestigen.
- Die Anzahl der Schwimmer sowie die Position der Schwimmeranschläge sind vom Maß und der Anzahl der Schaltpunkte abhängig.



### 5.3 Elektrischer Anschluss

- Der elektrische Anschluss darf nur durch qualifiziertes Fachpersonal erfolgen.
- Die Belegung der Anschlüsse und die Schaltfunktionen sind auf dem Anschlussschema am Gerät angegeben.
- Die vorgesehenen Netzanschlussleitungen müssen für die größte Stromaufnahme des Gerätes bemessen sein und IEC 227 oder IEC 245 entsprechen.

### Anforderung an Schirmung und Erdung

Das Gerät muss in den Potentialausgleich der Anlage eingebunden werden. Die Verbindung wird über den Prozessanschluss des Gerätes hergestellt.

Anschlussbilder siehe Typenschild

### 5.4 Inbetriebnahme

Spannungsversorgung der angeschlossenen Steuerungseinrichtung einschalten. Behälter füllen und die Schaltpunkte des Schwimmerschalters auf Funktion prüfen.



#### **VORSICHT!**

#### **Sachschäden**

Bei Durchführung der Funktionsprüfung an der aktiven Anlage können Prozesse unbeabsichtigt gestartet werden. Durch Vertauschen der Anschlüsse können Fehlfunktionen des Schalter entstehen.

- ▶ Die Prüfung der Schalter darf nicht an der aktiven Steuerung der Anlage erfolgen.
- ▶ Die Anschlüsse prüfen, um ein korrektes Arbeiten der Anlage zu gewährleisten.

Zur Inbetriebnahme von Zubehör unbedingt die jeweilige Montage- und Betriebsanleitung beachten.

## 6. Störungen

### 6. Störungen



In der folgenden Tabelle sind die häufigsten Fehlerursachen und erforderliche Gegenmaßnahmen aufgeführt.

DE

Störungen	Ursachen	Maßnahmen
<b>Schwimmerschalter lässt sich nicht an der vorgesehenen Stelle am Behälter anbauen</b>	Prozessanschluss des Schwimmerschalters passt nicht zu dem Prozessanschluss des Behälters.	Umbau des Behälters Rücksendung ans Werk
	Prozessanschluss am Behälter defekt	Nacharbeiten des Gewindes oder Austauschen der Befestigungsmuffe
<b>Keinerlei Funktion</b>	Stromversorgung ausgefallen	Spannung messen, Kabel- oder Steckerverbindung nachprüfen
<b>Kein/falsches Ausgangssignal</b>	Verdrahtungsfehler oder Umschaltung der Schaltlogik	Anschlussbelegung beachten
		Ausgangskonfiguration prüfen, Gerät austauschen oder Steuerung anpassen



#### **VORSICHT!**

#### **Körperverletzungen, Sach- und Umweltschäden**

Können Störungen mit Hilfe der aufgeführten Maßnahmen nicht beseitigt werden, Gerät unverzüglich außer Betrieb setzen.

- ▶ Sicherstellen, dass kein Druck mehr anliegt und gegen versehentliche Inbetriebnahme schützen.
- ▶ Kontakt mit dem Hersteller aufnehmen.
- ▶ Bei notwendiger Rücksendung die Hinweise unter Kapitel 8.2 „Rücksendung“ beachten.

## 7. Wartung und Reinigung

### 7. Wartung und Reinigung

DE

#### 7.1 Wartung

Der Schwimmerschalter arbeitet bei bestimmungsgemäßem Gebrauch wartungsfrei. Er muss jedoch im Rahmen der regelmäßigen Wartung einer Sichtkontrolle unterzogen und in die Druckprüfung des Behälters mit einbezogen werden.



#### **GEFAHR!** **Körperverletzungen**

Beim Arbeiten an Behältern besteht Vergiftungs- oder Erstickengefahr.

- ▶ Arbeiten nur unter Anwendung geeigneter Personenschutzmaßnahmen (z. B. Atemschutzgerät, Schutzkleidung o. Ä.) durchführen.

Reparaturen sind ausschließlich vom Hersteller durchzuführen.



Die Funktion des Schwimmerschalters ist nur bei Verwendung von Originalzubehör und -ersatzteilen gewährleistet.

#### 7.2 Reinigung



#### **VORSICHT!** **Körperverletzungen, Sach- und Umweltschäden**

Eine unsachgemäße Reinigung führt zu Körperverletzungen, Sach- und Umweltschäden und zur Beschädigung des Gerätes. Messstoffreste im ausgebauten Gerät können zur Gefährdung von Personen, Umwelt und Einrichtung führen.

- ▶ Ausgebautes Gerät spülen bzw. säubern.
- ▶ Ausreichende Vorsichtsmaßnahmen sind zu ergreifen.
- ▶ Keine aggressiven Reinigungsmittel verwenden.
- ▶ Keine harten und spitzen Gegenstände zur Reinigung verwenden.

## 8. Demontage, Rücksendung und Entsorgung

1. Vor der Reinigung das Gerät ordnungsgemäß vom Prozess und der Stromversorgung trennen.
2. Das Gerät vorsichtig mit einem feuchten Tuch reinigen.
3. Elektrische Anschlüsse nicht mit Feuchtigkeit in Berührung bringen!

DE

## 8. Demontage, Rücksendung und Entsorgung



### WARNUNG!

#### Körperverletzungen, Sach- und Umweltschäden durch Messstoffreste

Messstoffreste im ausgebauten Gerät können zur Gefährdung von Personen, Umwelt und Einrichtung führen.

- ▶ Ausgebautes Gerät spülen bzw. säubern, um Personen und Umwelt vor Gefährdung durch anhaftende Messstoffreste zu schützen.

### 8.1 Demontage

Messgerät nur im drucklosen und spannungsfreien Zustand demontieren!

### 8.2 Rücksendung

Ausgebauten Schwimmerschalter vor der Rücksendung spülen bzw. säubern, um Mitarbeiter und Umwelt vor Gefährdung durch anhaftende Messstoffreste zu schützen.



Hinweise zur Rücksendung befinden sich in der Rubrik „Service“ auf unserer lokalen Internetseite.

### 8.3 Entsorgung

Durch falsche Entsorgung können Gefahren für die Umwelt entstehen. Gerätekomponenten und Verpackungsmaterialien entsprechend den landesspezifischen Abfallbehandlungs- und Entsorgungsvorschriften umweltgerecht entsorgen.



## 9. Technische Daten

DE

### 9. Technische Daten

#### Technische Daten

<b>Ausgangssignal</b>	
■ Füllstand	Bis zu 4 Schaltpunkte, PNP oder NPN
■ Temperatur	<ul style="list-style-type: none"> <li>■ Pt100, 2-Leiter, Klasse B nach DIN EN 60751</li> <li>■ Pt1000, 2-Leiter, Klasse B nach DIN EN 60751</li> </ul>
<b>Schaltfunktion</b>	Schließer oder Öffner - siehe Typenschild
<b>Schaltstrom</b>	Max. 200 mA
<b>Gesamtstromaufnahme</b>	Pro Schaltausgang: max. 10 mA + Schaltstrom
<b>Schaltpunktgenauigkeit</b>	±1 mm
<b>Hilfsenergie</b>	DC 5 ... 30 V
<b>Einbaulage</b>	±30°
<b>Werkstoff</b>	
■ Messstoffberührt	Prozessanschluss, Gleitrohr: CrNi-Stahl 316Ti Schwimmer: siehe Tabelle Seite 34
■ Nicht-messstoffberührt	Gehäuse: CrNi-Stahl 316Ti Elektrischer Anschluss: Siehe Tabelle unten
<b>Zulässige Temperaturen</b>	
■ Messstoff	-40 ... +80 °C [-40 ... +176 °F] -40 ... +110 °C [-40 ... +230 °F] <sup>1)</sup>
■ Umgebung	-40 ... +80 °C [-40 ... +176 °F]
■ Lagerung	-30 ... +80 °C [-22 ... +176 °F]

Elektrische Anschlüsse	Schutzart nach IEC/EN 60529 <sup>2)</sup>	Werkstoff	Kabellänge
<b>Rundstecker M12 x 1 (4-, 5- bzw. 8-polig)</b>	IP65	TPU, Messing	-
<b>Kabelausgang</b>	IP67	PVC	■ 2 m [6,5 ft]
<b>Kabelausgang</b>	IP67	PUR	■ 5 m [16,4 ft]
<b>Kabelausgang</b>	IP67	Silikon	andere Längen auf Anfrage

1) Nicht mit Kabelmaterial: PVC, PUR

2) Die angegebenen Schutzarten (nach IEC/EN 60529) gelten nur im gesteckten Zustand mit Gegensteckern entsprechender Schutzart.

## 9. Technische Daten

### Übersicht Schwimmer

DE

Form	Außen- Ø D	Höhe H	Betriebs- druck	Messstoff- temperatur	Dichte	Material
Zylinder	44 mm [1,7 in]	52 mm [2,0 in]	≤ 16 bar [≤ 232 psi]	≤ 110 °C [≤ 230 °F]	≥ 750 kg/m <sup>3</sup> [46,8 lbs/ft <sup>3</sup> ]	316Ti
Zylinder	30 mm [1,2 in]	36 mm [1,4 in]	≤ 10 bar [≤ 145 psi]	≤ 110 °C [≤ 230 °F]	≥ 850 kg/m <sup>3</sup> [53,1 lbs/ft <sup>3</sup> ]	316Ti
Zylinder	25 mm [1,0 in]	20 mm [0,8 in]	≤ 16 bar [≤ 232 psi]	≤ 80 °C [≤ 176 °F]	≥ 750 kg/m <sup>3</sup> [46,8 lbs/ft <sup>3</sup> ]	Buna / NBR
Kugel	52 mm [2,0 in]	52 mm [2,0 in]	≤ 40 bar [≤ 580 psi]	≤ 110 °C [≤ 230 °F]	≥ 750 kg/m <sup>3</sup> [46,8 lbs/ft <sup>3</sup> ]	316Ti

### Elektrische Sicherheit

Kurzschlussfestigkeit	SP1 / SP2 / SP3 / SP4 gegen U-
Verpolungsschutz	U+ gegen U-
Isolationsspannung	DC 500 V
Überspannungsschutz	DC 40 V

Weitere technische Daten siehe WIKA-Datenblatt LM 50.10 und Bestellunterlagen.

# Sommaire

<b>1. Généralités</b>	<b>36</b>
<b>2. Conception et fonction</b>	<b>37</b>
<b>3. Sécurité</b>	<b>38</b>
<b>4. Transport, emballage et stockage</b>	<b>42</b>
<b>5. Mise en service, utilisation</b>	<b>43</b>
<b>6. Dysfonctionnements</b>	<b>46</b>
<b>7. Entretien et nettoyage</b>	<b>47</b>
<b>8. Démontage, retour et mise au rebut</b>	<b>48</b>
<b>9. Spécifications</b>	<b>49</b>

Déclarations de conformité disponibles sur [www.wika.fr](http://www.wika.fr).

# 1. Généralités

## 1. Généralités

FR

- Le contact à flotteur décrit dans le mode d'emploi est conçu et fabriqué selon les dernières technologies en vigueur. Tous les composants sont soumis à des exigences environnementales et de qualité strictes durant la fabrication. Nos systèmes de gestion sont certifiés selon ISO 9001 et ISO 14001.
- Ce mode d'emploi donne des indications importantes concernant l'utilisation de l'instrument. Il est possible de travailler en toute sécurité avec ce produit en respectant toutes les consignes de sécurité et d'utilisation.
- Respecter les prescriptions locales de prévention contre les accidents et les prescriptions générales de sécurité en vigueur pour le domaine d'application de l'instrument.
- Le mode d'emploi fait partie de l'instrument et doit être conservé à proximité immédiate de l'instrument et accessible à tout moment pour le personnel qualifié. Confier le mode d'emploi à l'utilisateur ou propriétaire ultérieur de l'instrument.
- Le personnel qualifié doit, avant de commencer toute opération, avoir lu soigneusement et compris le mode d'emploi.
- Les conditions générales de vente mentionnées dans les documents de vente s'appliquent.
- Sous réserve de modifications techniques.
- Pour obtenir d'autres informations :
  - Consulter notre site Internet : [www.wika.fr](http://www.wika.fr)
  - Fiche technique correspondante : LM 50.10
  - Conseiller applications : Tel. : 0 820 951010 (0,15 €/min)  
+33 1 787049-46  
Fax : 0 891 035891 (0,35 €/min)  
[info@wika.fr](mailto:info@wika.fr)

## 2. Conception et fonction

### 2. Conception et fonction

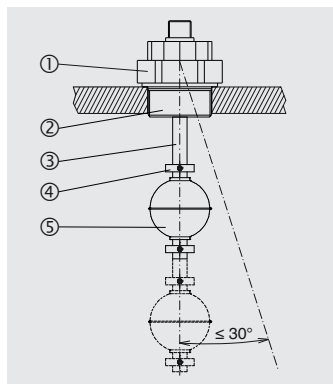
#### 2.1 Description fonctionnelle

Le GLS-1000 est utilisé pour la détection de seuils de niveau dans des liquides. Un aimant permanent intégré dans le flotteur ⑤ déclenche, avec son champ magnétique, un semi-conducteur dépendant du champ magnétique.

L'activation du semi-conducteur déclenche un changement de l'état de commutation "ouvert" ou "fermé" du signal de sortie PNP/NPN.

L'aimant permanent est situé dans un flotteur qui change de hauteur avec le niveau du fluide qu'il surveille. Le nombre et la disposition des flotteurs dépend du nombre de points de commutation définis, de leur fonction de sortie et aussi de la distance entre les points de commutation.

Le contact à flotteur type GLS-1000 convient pour des liquides tels que huiles, eau, eau distillée, fluides aqueux et moussants.



- ① Sortie câble/connecteur
- ② Fileté
- ③ Tube guide
- ④ Butée de flotteur
- ⑤ Flotteur

### 2.2 Détail de la livraison

- Contact à flotteur
- Mode d'emploi

Comparer le détail de la livraison avec le bordereau de livraison.

## 3. Sécurité

### 3.1 Explication des symboles



#### **DANGER !**

... indique une situation dangereuse pouvant entraîner la mort ou des blessures graves si elle n'est pas évitée.



#### **AVERTISSEMENT !**

... indique une situation présentant des risques susceptibles de provoquer la mort ou des blessures graves si elle n'est pas évitée.



#### **ATTENTION !**

... indique une situation potentiellement dangereuse et susceptible de provoquer de légères blessures ou des dommages pour le matériel et pour l'environnement si elle n'est pas évitée.



#### **Information**

... met en exergue les conseils et recommandations utiles de même que les informations permettant d'assurer un fonctionnement efficace et normal.

### 3.2 Utilisation conforme à l'usage prévu

Ce contact à flotteur est utilisé exclusivement pour surveiller les niveaux de liquides dans des cuves. Le domaine d'application est défini par les limites techniques de performance et les matériaux.

### 3. Sécurité

FR

- Les liquides doivent être exempts de toute contamination importante ou de particules en suspension grossières et ne doivent pas avoir tendance à cristalliser. Assurez-vous que les matériaux en contact avec le fluide du contact à flotteur soient suffisamment résistants au fluide qui est contrôlé. Ne convient pas aux milieux dispersés, liquides abrasifs, fluides hautement visqueux.
- Cet instrument n'est pas certifié pour être utilisé en zones explosives !
- Les conditions de fonctionnement contenues dans le mode d'emploi doivent être respectées.
- Ne pas utiliser l'instrument à proximité directe d'environnements ferromagnétiques (distance min. 100 mm).
- Ne pas utiliser l'instrument à proximité immédiate de champs électromagnétiques puissants ou d'appareils pouvant être perturbés par des champs magnétiques (distance min. 1 m).
- Les contacts à flotteur ne doivent pas être exposés à de fortes contraintes mécaniques (impacts, flexions).
- Les spécifications techniques mentionnées dans ce mode d'emploi doivent être respectées. En cas d'utilisation non conforme ou de fonctionnement de l'instrument en dehors des spécifications techniques, un arrêt et contrôle doivent être immédiatement effectués par un collaborateur autorisé du service de WIKA.

Ces instruments sont conçus et construits exclusivement pour une utilisation conforme à l'usage prévu décrit ici, et ne doivent être utilisés qu'à cet effet.

Aucune réclamation ne peut être recevable en cas d'utilisation non conforme à l'usage prévu.



#### **DANGER !** **Blessures physiques**

Le travail sur les conteneurs implique un danger d'intoxication et de suffocation.

- ▶ Aucun travail ne peut être effectué, sauf en prenant des mesures de protection personnelle appropriées (par exemple appareil de protection respiratoire, vêtements de protection etc.)

## 3. Sécurité

### 3.3 Utilisation inappropriée

On définit un usage impropre comme étant toute application qui excède les limites techniques de performance ou étant incompatible avec les matériaux.



#### **AVERTISSEMENT !**

#### **Blessures causées par une utilisation inappropriée**

Une utilisation inappropriée peut conduire à des situations dangereuses et à des blessures.

- ▶ S'abstenir de modifications non autorisées sur l'instrument
- ▶ Ne pas utiliser l'instrument en zone explosive.

Toute utilisation différente ou au-delà de l'utilisation prévue est considérée comme inappropriée.

Ne pas utiliser cet instrument dans des dispositifs de sécurité ou d'arrêt d'urgence.

### 3.4 Responsabilité de l'opérateur

L'instrument est prévu pour un usage dans le domaine industriel.

L'opérateur est de ce fait responsable des obligations légales en matière de sécurité du travail.

Les instructions de sécurité de ce mode d'emploi comme les réglementations liées à la sécurité, à la prévention des accidents et à la protection de l'environnement pour le domaine d'application doivent être respectées.

Afin de travailler en toute sécurité sur l'instrument, la société exploitante doit s'assurer

- qu'un équipement de premier secours adapté est disponible et que les premiers soins peuvent être dispensés sur place à tout moment en cas de besoin.
- que le personnel de service soit formé à intervalles réguliers sur tous les sujets concernant la sécurité du travail, les premiers secours et la protection de l'environnement et qu'il connaît le mode d'emploi et particulièrement les consignes de sécurité contenues dans celui-ci.
- que l'instrument est adapté à l'application en respect de l'usage prévu de l'instrument.
- qu'à la suite des essais, une utilisation impropre de l'instrument est exclue.



## 3. Sécurité

### 3.5 Qualification du personnel



#### **AVERTISSEMENT !**

#### **Danger de blessure en cas de qualification insuffisante**

Une utilisation non conforme peut entraîner d'importants dommages corporels et matériels.

- ▶ Les opérations décrites dans ce mode d'emploi ne doivent être effectuées que par un personnel ayant la qualification décrite ci-après.

FR

### **Personnel qualifié**

Le personnel qualifié, autorisé par l'opérateur, est, en raison de sa formation spécialisée, de ses connaissances dans le domaine de l'instrumentation de mesure et de régulation et de son expérience, de même que de sa connaissance des réglementations nationales et des normes en vigueur, en mesure d'effectuer les travaux décrits et d'identifier de façon autonome les dangers potentiels.

### **3.6 Equipement de protection individuelle**

L'équipement de protection individuelle sert à protéger le personnel qualifié contre les dangers pouvant entraver la sécurité et la santé de ce dernier durant le travail. Le personnel qualifié doit porter l'équipement de protection individuelle lors de l'exécution des différents travaux sur et avec l'instrument.

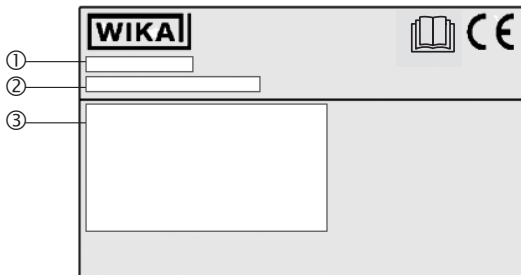
### **Respecter les indications concernant l'équipement de protection individuelle dans la zone de travail !**

L'équipement de protection individuelle requis doit être mis à disposition par l'utilisateur.

## 3. Sécurité / 4. Transport, emballage, stockage

### 3.7 Etiquetage, marquages de sécurité

#### Plaque signalétique (exemple)



FR

- ① Type
- ② P# numéro d'article  
S# numéro de série
- ③ Raccordement électrique



Lire impérativement le mode d'emploi avant le montage et la mise en service de l'instrument !

## 4. Transport, emballage et stockage

### 4.1 Transport

Vérifier s'il y a des dégâts sur le contact à flotteur liés au transport. Communiquer immédiatement les dégâts constatés.



#### **ATTENTION !**

#### **Dommages aux équipements**

Un transport inapproprié peut donner lieu à des dommages importants.

- ▶ Observer les symboles présents sur l'emballage.
- ▶ Manipuler avec soin les marchandises emballées.

### 4.2 Emballage et stockage

N'enlever l'emballage qu'avant la mise en service.

#### Conditions admissibles sur le lieu de stockage :

Température de stockage : -30 ... +80 °C (-22 ... +176 °F)

## 5. Mise en service, utilisation

- Observer toutes les instructions données sur l'emballage d'expédition concernant le retrait des dispositifs de sécurité pour le transport.
- Sortir avec précaution le contact à flotteur de l'emballage !
- Lors du déballage, vérifier si les composants ne présentent aucune détérioration externe visible.

### 5.1 Préparation de l'installation



#### Contrôle de fonctionnement

Avant l'installation, le contact à flotteur peut être branché comme décrit au chapitre 5.3 et les points de commutation peuvent être manipulés à la main.



#### ATTENTION !

#### Dommages aux équipements

Lorsque l'on effectue un contrôle fonctionnel sur l'installation active, des procédés peuvent être lancés par inadvertance.

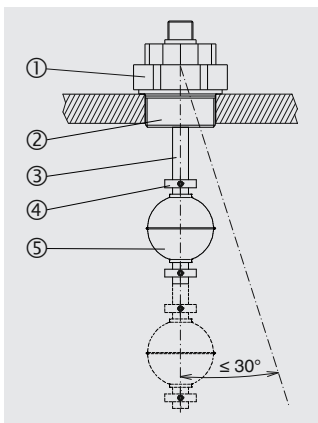
- ▶ Il ne faut pas tester les commutateurs tout en étant raccordé en amont sur les commandes actives de l'installation.

S'assurer que les surfaces d'étanchéité de la cuve ou du contact à flotteur sont propres et ne présentent aucun dommage mécanique.

## 5. Mise en service, utilisation

### 5.2 Installation

- Observer les valeurs de couple de serrage des filetages selon les règles de tuyauterie.
- Pour le choix du matériau d'installation (joints d'étanchéité et écrous), veuillez tenir compte des conditions de process. Il faut considérer l'adéquation du joint d'étanchéité par rapport au fluide et à ses vapeurs. En outre, assurez-vous qu'il possède une résistance à la corrosion correspondante.
- Avant l'installation, il faut s'assurer que le piquage et le raccord de montage du contact à flotteur dans la cuve aient les bonnes dimensions.
- Monter au moyen du filetage le contact à flotteur de sorte qu'il soit étanche à la pression ②.
- Le tube de guidage ⑤ ne doit pas être incliné de plus de 30° maximum par rapport à la verticale.
- Si la géométrie du flotteur ne passe pas dans le raccord process, il faut retirer le flotteur avant l'installation.
  - Pour cela, avant de le retirer, marquer la position des butées de flotteur ④ avec un stylo résistant à l'eau.
  - Marquer la position d'installation des flotteurs (par exemple "vers le haut").
  - Après l'installation du contact à flotteur, le flotteur doit être refixé à l'intérieur de la cuve (attention à la position de montage !).
  - Les butées de flotteur ⑤ doivent alors être refixées aux endroits marqués.
- Le nombre de flotteurs et aussi la position des butées de flotteurs dépendent de la dimension et du nombre de points de commutation.



### 5.3 Raccordement électrique

- Les travaux de raccordement électrique ne doivent être effectués que par des personnels qualifiés.
- Les détails de connexion et les fonctions de commutation sont indiqués sur le diagramme de connexion.
- Les câbles de raccordement au réseau prévus doivent être dimensionnés pour la plus grande alimentation de courant de l'instrument et correspondre à CEI 227 ou CEI 245.

### Exigences concernant le blindage et la mise à la terre

L'instrument est à inclure dans la compensation de potentiel de l'installation. Le raccordement est effectué via le raccord process de l'instrument.

Schémas de raccordement, voir plaque signalétique

### 5.4 Mise en service

Allumer la tension d'alimentation du dispositif de contrôle connecté. Remplir la cuve et vérifier les points de commutation du contact à flotteur pour voir s'ils fonctionnent.



#### ATTENTION !

#### Dommages aux équipements

Lorsque l'on effectue un contrôle fonctionnel sur l'installation active, des procédés peuvent être lancés par inadvertance.

#### **Inverser les branchements peut provoquer des dysfonctionnements du contact.**

- ▶ Il ne faut pas tester les commutateurs tout en étant raccordé en amont sur les commandes actives de l'installation.
- ▶ Vérifier les connexions pour assurer un fonctionnement correct de l'installation.

Toujours respecter le manuel d'installation et le mode d'emploi des accessoires avant de les mettre en service.

## 6. Dysfonctionnements

### 6. Dysfonctionnements



Le tableau suivant contient les causes de dysfonctionnements les plus fréquentes et les contre-mesures nécessaires.

FR

Dysfonctionnements	Raisons	Mesures
<b>Le contact à flotteur ne peut pas être installé à l'endroit prévu sur la cuve</b>	Le raccord process du contact à flotteur ne correspond pas au raccord process de la cuve	Modification de la cuve Retour à l'usine
	Raccord process défectueux sur la cuve	Refaire le filetage ou remplacer la connexion vissée
<b>Pas de fonction</b>	Défaillance dans l'alimentation électrique	Mesurer la tension, vérifier le câble ou le connecteur
<b>Pas de / mauvais signal de sortie</b>	Erreur de câblage ou commutation de logique de commutation	Observer la configuration du raccordement
		Vérifier la configuration de sortie, remplacer l'instrument ou adapter la commande



#### **ATTENTION !**

#### **Blessures physiques, dommages aux équipements et à l'environnement**

Si les défauts ne peuvent pas être éliminés au moyen des mesures listées, l'instrument doit être mis hors service immédiatement.

- ▶ Assurez-vous qu'il n'y a plus aucune pression présente et empêchez toute remise en marche accidentelle.
- ▶ Contacter le fabricant.
- ▶ S'il est nécessaire de retourner l'instrument au fabricant, prière de respecter les indications mentionnées au chapitre 8.2 "Retour".

## 7. Entretien et nettoyage

### 7. Entretien et nettoyage

#### 7.1 Entretien

Dans le cadre d'une utilisation adéquate, le contact à flotteur ne nécessite pas d'entretien. Il doit pourtant être soumis à une inspection visuelle dans le cadre d'un entretien régulier et être inclus dans le test de pression de cuve.



#### **DANGER !** **Blessures physiques**

Le travail sur les conteneurs implique un danger d'intoxication et de suffocation.

- ▶ Aucun travail ne peut être effectué, sauf en prenant des mesures de protection personnelle appropriées (par exemple appareil de protection respiratoire, vêtements de protection etc.).

FR

Les réparations ne doivent être effectuées que par le fabricant.



Le bon fonctionnement du contact à flotteur peut uniquement être garanti si des accessoires et pièces de rechange d'origine sont utilisés.

#### 7.2 Nettoyage



#### **ATTENTION !** **Blessures physiques, dommages aux équipements et à l'environnement**

Un nettoyage inapproprié peut conduire à des blessures physiques, à des dommages aux équipements ou à l'environnement et à des dommages sur l'instrument. Les restes de fluides se trouvant dans les instruments démontés peuvent mettre en danger les personnes, l'environnement ainsi que l'installation.

- ▶ Rincer ou nettoyer avec des moyens appropriés l'instrument qui a été démonté.
- ▶ Des mesures de sécurité suffisantes doivent être prises.
- ▶ Ne pas utiliser de détergents agressifs.
- ▶ Ne pas utiliser d'objets pointus ou durs pour le nettoyage.

## 8. Démontage, retour et mise au rebut

1. Avant le nettoyage, débrancher correctement l'instrument du processus et de l'alimentation.
2. Nettoyer l'instrument soigneusement avec un chiffon humide.
3. Eviter tout contact des raccords électriques avec l'humidité !

FR

## 8. Démontage, retour et mise au rebut



### AVERTISSEMENT !

#### **Blessures physiques et dommages aux équipements et à l'environnement liés aux résidus de fluides**

Les restes de fluides se trouvant dans les instruments démontés peuvent mettre en danger les personnes, l'environnement ainsi que l'installation.

- ▶ Laver et décontaminer l'instrument démonté afin de protéger les personnes et l'environnement contre le danger lié aux résidus de fluides.

### 8.1 Démontage

Déconnecter l'instrument de mesure seulement si le système a été mis hors pression et l'alimentation électrique a été coupée !

### 8.2 Retour

Laver ou nettoyer le contact à flotteur démonté avant de le retourner afin de protéger le personnel et l'environnement contre le danger lié aux restes de fluides adhérents.



Des informations relatives à la procédure de retour sont disponibles sur notre site Internet à la rubrique "Services".

### 8.3 Mise au rebut

Une mise au rebut inadéquate peut entraîner des dangers pour l'environnement.

Éliminer les composants des instruments et les matériaux d'emballage conformément aux prescriptions nationales pour le traitement et l'élimination des déchets et aux lois de protection de l'environnement en vigueur.



## 9. Spécifications

### 9. Spécifications

#### Spécifications

<b>Signal de sortie</b>	Jusqu'à 4 points de commutation, PNP ou NPN
<ul style="list-style-type: none"> <li>■ Niveau</li> <li>■ Température</li> </ul>	<ul style="list-style-type: none"> <li>■ Pt100, 2 fils, classe B selon DIN EN 60751</li> <li>■ Pt1000, 2 fils, classe B selon DIN EN 60751</li> </ul>
<b>Fonction de commutation</b>	Normalement ouvert ou fermé - voir plaque signalétique
<b>Courant de commutation</b>	Max. 200 mA
<b>Consommation de courant totale</b>	Par sortie de commutation : max. 10 mA + courant de commutation
<b>Précision du point de seuil</b>	±1 mm
<b>Alimentation</b>	5 ... 30 VDC
<b>Position de montage</b>	±30°
<b>Matériau</b>	
<ul style="list-style-type: none"> <li>■ En contact avec le fluide</li> </ul>	Raccord process, tube de guidage : acier inox 316Ti Flotteur : voir tableau page 50
<ul style="list-style-type: none"> <li>■ Non en contact avec le fluide</li> </ul>	Boîtier : acier inox 316Ti Raccordement électrique : voir tableau ci-dessous
<b>Températures admissibles</b>	
<ul style="list-style-type: none"> <li>■ Fluide</li> </ul>	-40 ... +80 °C [-40 ... +176 °F] -40 ... +110 °C [-40 ... +230 °F] <sup>1)</sup>
<ul style="list-style-type: none"> <li>■ Ambiante</li> <li>■ Stockage</li> </ul>	-40 ... +80 °C [-40 ... +176 °F] -30 ... +80 °C [-22 ... +176 °F]

FR

Raccordements électriques	Indice de protection selon CEI/EN 60529 <sup>2)</sup>	Matériau	Longueur du câble
<b>Connecteur circulaire M12 x 1 (4, 5 ou 8 pôles)</b>	IP65	TPU, laiton	-
<b>Sortie câble</b>	IP67	PVC	■ 2 m [6,5 ft]
<b>Sortie câble</b>	IP67	PUR	■ 5 m [16,4 ft]
<b>Sortie câble</b>	IP67	Silicone	autres longueurs sur demande

1) Pas avec les matériaux de câble : PVC, PUR

2) L'indice de protection mentionné (selon CEI/EN 60529) dépend de l'indice de protection du connecteur femelle auquel est raccordé le transmetteur.

## 9. Spécifications

### Vue générale des flotteurs

Forme	Ø D extérieur	Hauteur H	Pression de service	Température du fluide	Densité	Matériau
<b>Cylindre</b>	44 mm [1,7 in]	52 mm [2,0 in]	≤ 16 bar [≤ 232 psi]	≤ 110 °C [≤ 230 °F]	≥ 750 kg/m <sup>3</sup> [46,8 lbs/ft <sup>3</sup> ]	316 Ti
<b>Cylindre</b>	30 mm [1,2 in]	36 mm [1,4 in]	≤ 10 bar [≤ 145 psi]	≤ 110 °C [≤ 230 °F]	≥ 850 kg/m <sup>3</sup> [53,1 lbs/ft <sup>3</sup> ]	316 Ti
<b>Cylindre</b>	25 mm [1,0 in]	20 mm [0,8 in]	≤ 16 bar [≤ 232 psi]	≤ 80 °C [≤ 176 °F]	≥ 750 kg/m <sup>3</sup> [46,8 lbs/ft <sup>3</sup> ]	Buna / NBR
<b>Sphère</b>	52 mm [2,0 in]	52 mm [2,0 in]	≤ 40 bar [≤ 580 psi]	≤ 110 °C [≤ 230 °F]	≥ 750 kg/m <sup>3</sup> [46,8 lbs/ft <sup>3</sup> ]	316 Ti

FR

### Sécurité électrique

Résistance court-circuit	SP1 / SP2 / SP3 / SP4 vs. U-
Protection contre l'inversion de polarité	U+ vs. U-
Tension d'isolement	500 VDC
Protection contre la surtension	40 VDC

Pour de plus amples spécifications, voir la fiche technique WIKA LM 50.10 et la documentation de commande.

# Contenido

<b>1. Información general</b>	<b>52</b>
<b>2. Diseño y función</b>	<b>53</b>
<b>3. Seguridad</b>	<b>54</b>
<b>4. Transporte, embalaje y almacenamiento</b>	<b>58</b>
<b>5. Puesta en servicio, funcionamiento</b>	<b>59</b>
<b>6. Errores</b>	<b>62</b>
<b>7. Mantenimiento y limpieza</b>	<b>63</b>
<b>8. Desmontaje, devolución y eliminación de residuos</b>	<b>64</b>
<b>9. Datos técnicos</b>	<b>65</b>

Declaraciones de conformidad puede encontrar en [www.wika.es](http://www.wika.es).

# 1. Información general

## 1. Información general

- El interruptor de flotador descrito en el manual de instrucciones está diseñado y fabricado según el estado actual de la técnica. Todos los componentes están sujetos a rigurosos criterios de calidad y medio ambiente durante la producción. Nuestros sistemas de gestión están certificados según ISO 9001 e ISO 14001.
- Este manual de instrucciones proporciona indicaciones importantes acerca del manejo del instrumento. Para un trabajo seguro, es imprescindible cumplir con todas las instrucciones de seguridad y manejo indicadas.
- Cumplir siempre las normativas sobre la prevención de accidentes y las normas de seguridad en vigor en el lugar de utilización del instrumento.
- El manual de instrucciones es una parte integrante del instrumento y debe guardarse en la proximidad del mismo para que el personal especializado pueda consultarlo en cualquier momento. Entregar el manual de instrucciones al usuario o propietario siguiente del instrumento.
- El personal especializado debe haber leído y entendido el manual de instrucciones antes de comenzar cualquier trabajo.
- Se aplican las condiciones generales de venta incluidas en la documentación de venta.
- Modificaciones técnicas reservadas.
- Para obtener más informaciones consultar:
  - Página web: [www.wika.es](http://www.wika.es)
  - Hoja técnica correspondiente: LM 50.10
  - Servicio técnico: Tel.: +34 933 9386-30  
Fax: +34 933 9386-66  
[info@wika.es](mailto:info@wika.es)

ES

## 2. Diseño y función

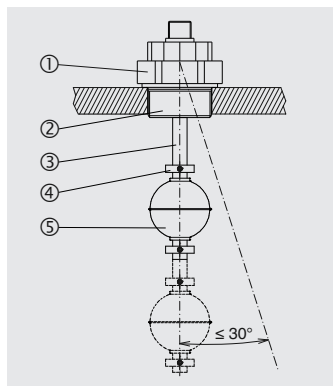
### 2. Diseño y función

#### 2.1 Descripción del funcionamiento

El GLS-1000 es óptimo para la detección de nivel límite de líquidos. Un imán permanente incorporado al flotador ⑤ acciona con su campo magnético un semiconductor que depende del campo magnético. La activación del semiconductor lleva a un cambio de estado de conmutación "abierto" o "cerrado" de la señal de salida de conmutación PNP/NPN.

El imán permanente se encuentra en un flotador que cambia su posición en altura en función del nivel del medio a supervisar. El número y la disposición de los flotadores depende del número de los puntos de conmutación predeterminados, su función de salida así como de la distancia entre los puntos de conmutación.

El interruptor de flotador modelo GLS-1000 es apto para líquidos como aceites, agua, agua destilada, medios acuosos y espumosos.



- ① Salida de cable/de conector
- ② Rosca
- ③ Tubo guía
- ④ Tope del flotador
- ⑤ Flotador

### 2.2 Alcance del suministro

- Interruptor de flotador
- Manual de instrucciones

Comparar mediante el albarán si se han entregado todas las piezas.

## 3. Seguridad

### ES 3.1 Explicación de símbolos



#### ¡PELIGRO!

... señala una situación inmediatamente peligrosa que causa la muerte o lesiones graves si no se evita.



#### ¡ADVERTENCIA!

... indica una situación probablemente peligrosa que puede causar la muerte o lesiones graves si no se la evita.



#### ¡CUIDADO!

... indica una situación probablemente peligrosa que puede causar lesiones leves o medianas, o daños materiales y medioambientales, si no se la evita.



#### Información

... destaca consejos y recomendaciones útiles así como informaciones para una utilización eficiente y libre de errores.

### 3.2 Uso conforme a lo previsto

Este interruptor de flotador sirve exclusivamente para supervisar el nivel de medios líquidos. El campo de aplicación resulta de sus límites técnicos y materiales.

### 3. Seguridad

ES

- Lo líquidos no deben contener suciedad excesiva ni partículas gruesas, y tampoco deben ser propensos a cristalización. Debe asegurarse de que los materiales del interruptor de flotador en contacto con el medio sean suficientemente resistentes al medio a supervisar. No adecuado para dispersiones, líquidos abrasivos, medios de alta viscosidad y colorantes.
- ¡Este dispositivo no está homologado para aplicaciones en zonas potencialmente explosivas!
- Cumplir las condiciones de uso indicadas en este manual de instrucciones.
- No operar cerca de las inmediaciones de entornos ferromagnéticos (distancia min. 100 mm).
- No operar el equipo cerca de campos electromagnéticos de gran intensidad o cerca de instalaciones que pueden verse afectadas por campos magnéticos (distancia mín 1 m).
- Los interruptores de flotador no deben someterse a cargas mecánicas intensas (golpe, torsión, vibraciones).
- Cumplir las especificaciones técnicas de este manual de instrucciones. Un manejo no apropiado o una utilización del instrumento no conforme a las especificaciones técnicas requiere la inmediata puesta fuera de servicio y la comprobación por parte de un técnico autorizado por WIKA.

El instrumento ha sido diseñado y construido únicamente para la finalidad aquí descrita y debe utilizarse en conformidad a la misma.

No se admite ninguna reclamación debido a una utilización no conforme a lo previsto.



**¡PELIGRO!**  
**Lesiones corporales**

Existe peligro de intoxicación y de asfixia al trabajar en depósitos.

- ▶ Realizar los trabajos solo con las medidas adecuadas de protección de las personas (p.ej. equipo respirador, ropa protectora, etc.).

## 3. Seguridad

### 3.3 Uso incorrecto

Se define como mal uso cualquier utilización que supere los límites técnicos o sea incompatible con los materiales.



#### ¡ADVERTENCIA!

#### Lesiones por uso incorrecto

El uso incorrecto del dispositivo puede causar lesiones graves o la muerte.

- ▶ Abstenerse realizar modificaciones no autorizadas del dispositivo.
- ▶ No utilizar el dispositivo en zonas potencialmente explosivas.

Cualquier uso que no sea el previsto para este dispositivo es considerado como uso incorrecto.

No utilizar este instrumento en sistemas de seguridad o dispositivos de parada de emergencia.

### 3.4 Responsabilidad del usuario

El dispositivo se utiliza en el sector industrial. Por lo tanto, el usuario está sujeto a las responsabilidades legales para la seguridad en el trabajo.

Se debe cumplir las notas de seguridad en este manual de instrucciones, así como la validez de las normas de seguridad de la unidad, de prevención de accidentes y protección del medio ambiente.

Para realizar un trabajo seguro en el instrumento el propietario ha de asegurarse de que,

- esté disponible un kit de primeros auxilios que siempre esté presente y ayude en caso necesario.
- los operadores reciban periódicamente instrucciones, sobre todos los temas referidos a seguridad de trabajo, primeros auxilios y protección del medio ambiente, y conozcan además el manual de instrucciones y en particular las instrucciones de seguridad del mismo.
- el instrumento sea adecuado de acuerdo con el uso previsto para la aplicación.
- una vez examinado, quede excluido un uso no autorizado del dispositivo.



## 3. Seguridad

### 3.5 Cualificación del personal



#### **¡ADVERTENCIA! Riesgo de lesiones debido a una insuficiente cualificación**

Un manejo no adecuado puede causar considerables daños personales y materiales.

- ▶ Las actividades descritas en este manual de instrucciones deben realizarse únicamente por personal especializado con la consiguiente cualificación.

ES

### **Personal especializado**

Debido a su formación profesional, a sus conocimientos de la técnica de regulación y medición así como a su experiencia y su conocimiento de las normativas, normas y directivas vigentes en el país de utilización el personal especializado autorizado por el usuario es capaz de ejecutar los trabajos descritos y reconocer posibles peligros por sí solo.

### **3.6 Equipo de protección individual**

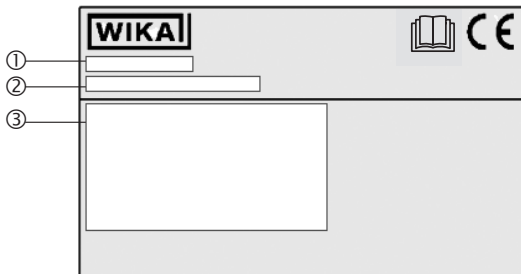
El equipo de protección individual protege al personal especializado contra peligros que puedan perjudicar la seguridad y salud del mismo durante el trabajo. El personal especializado debe llevar un equipo de protección individual durante los trabajos diferentes en y con el instrumento.

#### **¡Cumplir las indicaciones acerca del equipo de protección individual en el área de trabajo!**

El propietario debe proporcionar el equipo de protección individual.

### 3.7 Rótulos, marcajes de seguridad

#### Placa de identificación (ejemplo)



ES

- ① Modelo
- ② P# Código  
S# Número de serie
- ③ Conexión eléctrica



¡Es absolutamente necesario leer el manual de instrucciones antes del montaje y la puesta en servicio del instrumento!

## 4. Transporte, embalaje y almacenamiento

### 4.1 Transporte

Comprobar si el interruptor de flotador presenta eventuales daños causados en el transporte. Notificar daños obvios de forma inmediata.



**¡CUIDADO!**

#### **Daños materiales**

Transportes inadecuados pueden causar daños materiales considerables.

- ▶ Observar los símbolos en el embalaje.
- ▶ Tratar los paquetes con cuidado.

## 4. Transporte ... / 5. Puesta en servicio ...

### 4.2 Embalaje y almacenamiento

No quitar el embalaje hasta justo antes de la puesta en servicio.

#### Condiciones admisibles en el lugar de almacenamiento:

Temperatura de almacenamiento: -30 ... +80 °C (-22 ... +176 °F)

## 5. Puesta en servicio, funcionamiento

ES

- Observe todas las indicaciones en el embalaje de envío sobre la remoción de los seguros de transportes.
- ¡Quitar con cuidado el embalaje del interruptor de flotador!
- Durante el desembalaje, controlar si las piezas presentan daños exteriores.

### 5.1 Preparación del montaje



#### Prueba de funcionamiento

Antes del montaje, el interruptor de flotador puede conectarse como descrito en el capítulo 5.3 y los puntos de conexión pueden ser accionados manualmente.



#### ¡CUIDADO!

#### Daños materiales

Al efectuar la prueba de funcionamiento en la instalación activa es posible que involuntariamente se inicien procesos.

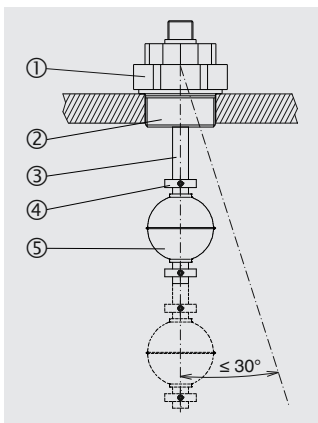
- ▶ La comprobación de los interruptores no debe efectuarse en el control activo de la instalación.

Asegurarse de que las superficies de obturación del depósito o del interruptor de flotador estén limpias y no presenten daños mecánicos.

## 5. Puesta en servicio, funcionamiento

### 5.2 Montaje

- Observar los pares de apriete de las roscas especificados en la construcción de tubería.
- Al seleccionar los materiales de montaje (juntas y tuercas) tener en cuenta las condiciones del proceso. La junta debe ser apta con respecto al medio y a sus vapores. Además, asegurarse de que sea a prueba de corrosión.
- Antes del montaje asegurarse de que la abertura de montaje efectuada en el depósito y el dispositivo de fijación del interruptor de flotador coincidan en tamaño y dimensionamiento.
- Mediante la rosca ②, montar el interruptor de flotador sin que se produzca ninguna pérdida de presión.
- El tubo guía ④ debe ser inclinada de 30° como máximo respecto a la vertical.
- Si la geometría del flotador no es apta para pasar a través de la conexión a proceso, el flotador debe retirarse antes del montaje.
  - Para ello, marcar las posiciones de los topes de los flotadores ④ con un rotulador indeleble antes del desmontaje.
  - Marcar la posición de montaje de los flotadores (p. ej. "arriba").
  - Después del montaje del interruptor de flotador, se debe volver a montar el flotador en el interior del tanque (¡tener en cuenta la posición de montaje!).
  - A continuación, volver a montar los topes de los flotadores ⑤ en los puntos marcados.
- La cantidad de flotadores así como la posición de los topes de los flotadores dependen de la medida y del número de los puntos de conmutación.



## 5. Puesta en servicio, funcionamiento

### 5.3 Conexión eléctrica

- La conexión eléctrica sólo la puede realizar personal especializado y cualificado.
- Las conexiones y las funciones de conmutación están indicadas en la esquema de conexión del instrumento.
- Las líneas de conexión de red deben estar diseñadas para soportar el consumo máximo de corriente del instrumento y deben cumplir IEC 227 o IEC 245.

### Exigencias referentes al blindaje y a la puesta a tierra

Integrar el instrumento en la conexión equipotencial de la instalación. La conexión se establece mediante la conexión a proceso del instrumento.

ES

Esquemas de conexión véase la placa de identificación

### 5.4 Puesta en servicio

Conectar la alimentación de corriente del dispositivo de control conectado. Llenar el depósito y comprobar el funcionamiento de los puntos de conmutación del interruptor de flotador.



#### ¡CUIDADO!

#### **Daños materiales**

Al efectuar la prueba de funcionamiento en la instalación activa es posible que involuntariamente se inicien procesos. Si se permutan las conexiones, esto puede llevar al mal funcionamiento de los interruptores.

- ▶ La comprobación de los interruptores no debe efectuarse en el control activo de la instalación.
- ▶ Comprobar las conexiones para garantizar un funcionamiento correcto de la instalación.

Para la puesta en servicio de accesorios es absolutamente necesario observar el manual de instrucciones y las instrucciones de montaje correspondientes.

## 6. Errores

### 6. Errores



La tabla siguiente contiene las causas más frecuentes de fallos y las medidas de subsanación que se requieren.

Errores	Causas	Medidas
<b>El interruptor de flotador no se puede montar en el lugar previsto del depósito</b>	La conexión a proceso del interruptor de flotador no coincide con la conexión a proceso del depósito.	Modificación del depósito Devolución a fábrica
	Conexión a proceso en el depósito defectuoso	Repasar la rosca o cambiar el manguito de fijación
<b>Ninguna función</b>	Alimentación de corriente interrumpida	Medir la tensión, revisar el cable o el enchufe de conexión
<b>Señal de salida ausente/errónea</b>	Error de cableado o conmutación de la lógica de conexión	Tener en cuenta detalles del conexionado
		Comprobar la configuración de salida, sustituir el instrumento o adaptar el control



#### **¡CUIDADO!**

#### **Lesiones corporales, daños materiales y del medio ambiente**

Si no se pueden solucionar los defectos mencionados se debe poner el dispositivo inmediatamente fuera de servicio.

- ▶ Asegurar que el instrumento ya no esté sometido a presión y protegerlo contra una puesta en marcha accidental.
- ▶ Contactar con el fabricante.
- ▶ En caso de devolución, observar las indicaciones del capítulo 8.2 “Devolución”.

## 7. Mantenimiento y limpieza

### 7. Mantenimiento y limpieza

#### 7.1 Mantenimiento

El interruptor de flotador trabaja libre de mantenimiento si se usa conforme a lo previsto. Sin embargo, debe someterse a una inspección visual como parte del mantenimiento regular, e incluirse en la prueba de presión del depósito.



#### **¡PELIGRO!**

#### **Lesiones corporales**

Existe peligro de intoxicación y de asfixia al trabajar en depósitos.

- ▶ Realizar los trabajos solo con las medidas adecuadas de protección de las personas (p.ej. equipo respirador, ropa protectora, etc.).

Todas las reparaciones solamente las debe efectuar el fabricante.



El funcionamiento del interruptor de flotador solo queda garantizado utilizando los accesorios y piezas de recambio originales.

#### 7.2 Limpieza



#### **¡CUIDADO!**

#### **Lesiones corporales, daños materiales y del medio ambiente**

Una limpieza inadecuada provoca lesiones corporales, daños materiales y del medio ambiente y puede dañar el dispositivo. Medios residuales en el instrumento desmontado pueden causar riesgos para personas, medio ambiente e instalación.

- ▶ Lavar o limpiar el dispositivo desmontado.
- ▶ Tomar adecuadas medidas de precaución.
- ▶ No utilizar productos de limpieza agresivos.
- ▶ No utilizar ningún objeto puntiagudo o duro para la limpieza.

## 8. Desmontaje, devolución y eliminación de ...

1. Antes de limpiar desconectar el instrumento debidamente del proceso y de la alimentación de corriente.
2. Limpiar el instrumento con cuidado con un trapo húmedo.
3. ¡No poner las conexiones eléctricas en contacto con la humedad!

## 8. Desmontaje, devolución y eliminación de residuos

ES



### ¡ADVERTENCIA!

#### **Lesiones corporales, daños materiales y del medio ambiente por medios residuales**

Medios residuales en el instrumento desmontado pueden causar riesgos para personas, medio ambiente e instalación.

- ▶ Enjuagar y limpiar el dispositivo desmontado para proteger a las personas y el medio ambiente contra peligros por medios residuales adherentes.

### 8.1 Desmontaje

¡Desmontar el instrumento de medición sólo si no está sometido a tensión!

### 8.2 Devolución

Una vez desmontado el interruptor de flotador se debe enjuagar y limpiar antes de devolverlo para proteger a las personas y el medio ambiente contra medios residuales de medición.



Comentarios sobre el procedimiento de las devoluciones encuentra en el apartado “Servicio” en nuestra página web local.

### 8.3 Eliminación de residuos

Una eliminación incorrecta puede provocar peligros para el medio ambiente.

Eliminar los componentes de los instrumentos y los materiales de embalaje conforme a los reglamentos relativos al tratamiento de residuos y eliminación vigentes en el país de utilización.



## 9. Datos técnicos

### 9. Datos técnicos

#### Datos técnicos

<b>Señal de salida</b>	
■ Nivel	Hasta 4 puntos de conmutación, PNP o NPN
■ Temperatura	<ul style="list-style-type: none"> <li>■ Pt100, 2 hilos, clase B según DIN EN 60751</li> <li>■ Pt1000, 2 hilos, clase B según DIN EN 60751</li> </ul>
<b>Función de conmutación</b>	Contacto normalmente abierto o contacto normalmente cerrado - véase la placa de identificación
<b>Corriente de conmutación</b>	máx. 200 mA
<b>Alimentación de corriente eléctrica total</b>	Por salida de conmutación: máx. 10 mA + corriente de conmutación
<b>Precisión del punto de conmutación</b>	±1 mm
<b>Alimentación auxiliar</b>	DC 5 ... 30 V
<b>Posición de montaje</b>	±30°
<b>Material</b>	
■ En contacto con el medio	Conexión a proceso, tubo guía: acero inoxidable 316Ti Flotador: véase la tabla página 66
■ Sin contacto con el medio	Caja: acero inoxidable 316Ti Conexión eléctrica: véase la tabla más abajo
<b>Temperaturas admisibles</b>	
■ Medio	-40 ... +80 °C [-40 ... +176 °F] -40 ... +110 °C [-40 ... +230 °F] <sup>1)</sup>
■ Ambiente	-40 ... +80 °C [-40 ... +176 °F]
■ Almacenamiento	-30 ... +80 °C [-22 ... +176 °F]

ES

Conexiones eléctricas	Tipo de protección según IEC/EN 60529 <sup>2)</sup>	Material	Longitud del cable
<b>Conector circular M12 x 1 (4, 5 o 8 pines)</b>	IP65	TPU, latón	-
<b>Salida de cable</b>	IP67	PVC	■ 2 m [6,5 ft]
<b>Salida de cable</b>	IP67	PUR	■ 5 m [16,4 ft]
<b>Salida de cable</b>	IP67	Silicona	otras longitudes a consultar

1) No en caso de material de cable: PVC, PUR

2) Los tipos de protección indicados (según IEC/EN 60529) sólo son válidos en estado conectado con conectores según el modo de protección correspondiente.

## 9. Datos técnicos

### Vista general de los flotadores

Forma	Diámetro exterior D	Altura H	Presión de trabajo	Temperatura del medio	Densidad	Material
Cilindro	44 mm [1,7 pulg]	52 mm [2,0 pulg]	≤ 16 bar [≤ 232 psi]	≤ 110 °C [≤ 230 °F]	≥ 750 kg/m <sup>3</sup> [46,8 lbs/ft <sup>3</sup> ]	316Ti
Cilindro	30 mm [1,2 pulg]	36 mm [1,4 pulg]	≤ 10 bar [≤ 145 psi]	≤ 110 °C [≤ 230 °F]	≥ 850 kg/m <sup>3</sup> [53,1 lbs/ft <sup>3</sup> ]	316Ti
Cilindro	25 mm [1,0 pulg]	20 mm [0,8 pulg]	≤ 16 bar [≤ 232 psi]	≤ 80 °C [≤ 176 °F]	≥ 750 kg/m <sup>3</sup> [46,8 lbs/ft <sup>3</sup> ]	Buna / NBR
Bola	52 mm [2,0 pulg]	52 mm [2,0 pulg]	≤ 40 bar [≤ 580 psi]	≤ 110 °C [≤ 230 °F]	≥ 750 kg/m <sup>3</sup> [46,8 lbs/ft <sup>3</sup> ]	316Ti

ES

### Protección eléctrica

Resistencia contra cortocircuitos	SP1 / SP2 / SP3 / SP4 contra U-
Protección contra inversión de polaridad	U+ contra U-
Tensión de aislamiento	DC 500 V
Protección contra sobretensiones	DC 40 V

Para más datos técnicos consulte la hoja técnica de WIKA LM 50.10 y la documentación de pedido.



WIKA subsidiaries worldwide can be found online at [www.wika.com](http://www.wika.com).  
WIKA-Niederlassungen weltweit finden Sie online unter [www.wika.de](http://www.wika.de).  
La liste des filiales WIKA dans le monde se trouve sur [www.wika.fr](http://www.wika.fr).  
Sucursales WIKA en todo el mundo puede encontrar en [www.wika.es](http://www.wika.es).



**WIKAI Alexander Wiegand SE & Co. KG**

Alexander-Wiegand-Strasse 30

63911 Klingenberg • Germany

Tel. +49 9372 132-0

Fax +49 9372 132-406

[info@wika.de](mailto:info@wika.de)

[www.wika.de](http://www.wika.de)