

Submersible pressure sensor, model LF-1

EN

Pegelsonde, Typ LF-1

DE

Transmetteur de pression immergeable, type LF-1

FR

Sonda de pozo, modelo LF-1

ES



Submersible pressure sensor

<b>EN</b>	<b>Operating instructions model LF-1</b>	<b>Page</b>	<b>3 - 22</b>
<b>DE</b>	<b>Betriebsanleitung Typ LF-1</b>	<b>Seite</b>	<b>23 - 42</b>
<b>FR</b>	<b>Mode d'emploi type LF-1</b>	<b>Page</b>	<b>43 - 62</b>
<b>ES</b>	<b>Manual de instrucciones modelo LF-1</b>	<b>Página</b>	<b>63 - 82</b>

© 12/2016 WIKA Alexander Wiegand SE & Co. KG  
 All rights reserved. / Alle Rechte vorbehalten.  
 WIKA® is a registered trademark in various countries.  
 WIKA® ist eine geschützte Marke in verschiedenen Ländern.

Prior to starting any work, read the operating instructions!  
 Keep for later use!

Vor Beginn aller Arbeiten Betriebsanleitung lesen!  
 Zum späteren Gebrauch aufbewahren!

Lire le mode d'emploi avant de commencer toute opération !  
 A conserver pour une utilisation ultérieure !

¡Leer el manual de instrucciones antes de comenzar cualquier trabajo!  
 ¡Guardar el manual para una eventual consulta!

## Contents

<b>1. General information</b>	<b>4</b>
<b>2. Design and function</b>	<b>5</b>
<b>3. Safety</b>	<b>6</b>
<b>4. Transport, packaging and storage</b>	<b>8</b>
<b>5. Commissioning, operation</b>	<b>9</b>
<b>6. Faults</b>	<b>14</b>
<b>7. Maintenance and cleaning</b>	<b>16</b>
<b>8. Dismounting, return and disposal</b>	<b>17</b>
<b>9. Specifications</b>	<b>19</b>

Declarations of conformity can be found online at [www.wika.com](http://www.wika.com)

# 1. General information

## 1. General information

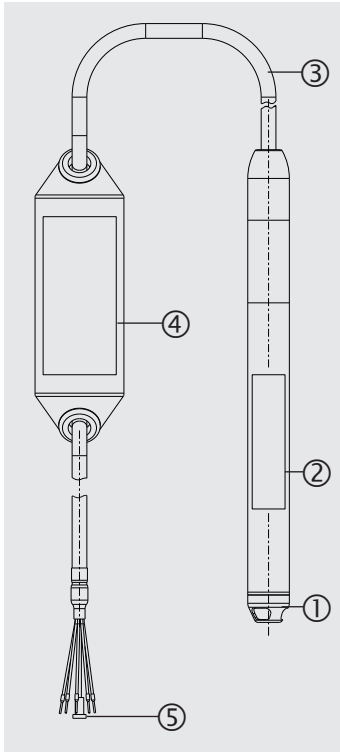
### Safety instructions for hazardous locations:

- ▶ Take note of the safety instructions for Ex applications. These safety instructions are attached as “Additional instructions” to each instrument with Ex approval and are part of the operating instructions manual.
  
- The instrument described in the operating instructions has been designed and manufactured using state-of-the-art technology. All components are subject to stringent quality and environmental criteria during production. Our management systems are certified to ISO 9001 and ISO 14001.
- These operating instructions contain important information on handling the instrument. Working safely requires that all safety instructions and work instructions are observed.
- Observe the relevant local accident prevention regulations and general safety regulations for the instrument’s range of use.
- The operating instructions are part of the product and must be kept in the immediate vicinity of the instrument and readily accessible to skilled personnel at any time. Pass the operating instructions onto the next user or owner of the instrument.
- Skilled personnel must have carefully read and understood the operating instructions prior to beginning any work.
- The general terms and conditions contained in the sales documentation shall apply.
- Subject to technical modifications.
- Further information:
  - Internet address: [www.wika.de / www.wika.com](http://www.wika.de / www.wika.com)
  - Relevant data sheet: LM 40.04
  - Application consultant: Tel.: +49 9372 132-0  
Fax: +49 9372 132-406  
[info@wika.com](mailto:info@wika.com)

## 2. Design and function

## 2. Design and function

### 2.1 Overview



- ① Protection cap
- ② Product label
- ③ Connection cable
- ④ Measuring point tag with product label
- ⑤ Vent tube with filter element

EN

## 2. Design and function / 3. Safety

### 2.2 Functional description

The prevailing hydrostatic pressure is measured at the sensor element through the deformation of a diaphragm. By supplying power, this deformation of the diaphragm is converted into an electrical signal. The output signal from the submersible pressure sensor is amplified and standardised. The output signal is proportional to the measured hydrostatic pressure.

#### HART® (option)

The instrument version with HART® can communicate with a controller (master).

#### Measuring range scaling (turndown)

The start and end of the measuring range can be set within the measuring range. Do not exceed a turndown of 10:1.

### 2.3 Scope of delivery

- Submersible pressure sensor
- Operating instructions
- Test report
- Measuring point tag for fixing to the cable end
- Further certificates (optional)

Cross-check scope of delivery with delivery note.

## 3. Safety

### 3.1 Explanation of symbols



#### WARNING!

... indicates a potentially dangerous situation that can result in serious injury or death, if not avoided.



#### CAUTION!

... indicates a potentially dangerous situation that can result in light injuries or damage to property or the environment, if not avoided.

## 3. Safety



### Information

... points out useful tips, recommendations and information for efficient and trouble-free operation.

### 3.2 Intended use

The submersible pressure sensor is used to convert hydrostatic pressure into an electrical signal.

Only use the submersible pressure sensor in applications that lie within its technical performance limits (e.g. max. ambient temperature, material compatibility, ...).

→ For performance limits see chapter 9 “Specifications”.

For information on use in hazardous areas or with flammable media, refer to Additional Information 14209917.

The instrument has been designed and built solely for the intended use described here, and may only be used accordingly.

The manufacturer shall not be liable for claims of any type based on operation contrary to the intended use.

### 3.3 Personnel qualification

#### Skilled personnel

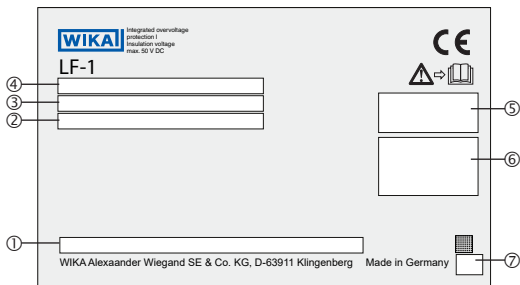
Skilled personnel, authorised by the operator, are understood to be personnel who, based on their technical training, knowledge of measurement and control technology and on their experience and knowledge of country-specific regulations, current standards and directives, are capable of carrying out the work described and independently recognising potential hazards.

## 3. Safety / 4. Transport, packaging and storage

### 3.4 Labelling, safety marks

#### Product label

EN



- ① Model code
- ② P# Article number / S# Serial number
- ③ Supply voltage / Total current consumption
- ④ Measuring range / Output signal
- ⑤ Approvals
- ⑥ Pin assignment
- ⑦ Date of manufacture



Before mounting and commissioning the instrument, ensure you read the operating instructions!



DC voltage

## 4. Transport, packaging and storage

### 4.1 Transport

Check the submersible pressure sensor for any damage that may have been caused by transport.

Obvious damage must be reported immediately.

Make sure that the connection contacts are not damaged.



## 4. Transport, packaging and storage / 5. Commissioning, operation

### 4.2 Packaging and storage

Do not remove packaging until just before mounting.

Keep the packaging as it will provide optimum protection during transport (e.g. change in installation site, sending for repair).

Prior to storage, clean the submersible pressure sensor thoroughly (→ see chapter 7.3.2 “Cleaning”)

#### Permissible conditions at the place of storage:

- Storage temperature: -40 ... +80 °C [-40 ... +176 °F]
- Humidity: 45 ... 75 % relative humidity (no condensation)

#### Avoid exposure to the following factors:

- Direct sunlight or proximity to hot objects
- Mechanical vibration, mechanical shock (putting it down hard)
- Soot, vapour, dust and corrosive gases
- Humid or wet environment
- Hazardous environments, flammable atmospheres

## 5. Commissioning, operation

### 5.1 Unpacking

When unpacking, do not use any sharp objects (e.g. cutter knives), as this may damage the cable.

Submersible pressure sensors with cable lengths >100 m are wound on cable drums and wrapped with foil. Unwind the foil manually. The end of the foil is marked with blue tape.

### 5.2 Suitability for the process conditions

All components of the instrument that are in contact with the process must be suitable for the process conditions that may exist. Included in this are particularly the process pressure, process temperature and also the chemical properties of the media. Prior to commissioning, the suitability of the instrument must be ensured (→ for specifications, see chapter 9 “Specifications” and the product label).

## 5. Commissioning, operation

### 5.3 Requirements for mounting point

The mounting point must meet the following conditions:

- The diaphragm is protected from contact with abrasive media and against any impacts.
- The cable contains a capillary for the pressure compensation. Therefore, the cable must be connected in a dry space or a suitable terminal enclosure.
- Sufficient space for a safe electrical installation.
- Permissible ambient and medium temperatures remain within the performance limits.  
For performance limits see chapter 9 "Specifications".

### 5.4 Connecting the instrument

#### 5.4.1 Requirements for supply voltage

→ For supply voltage see product label

#### 5.4.2 Requirements for electrical connection

- Cable diameter matches the cable bushing of the terminal enclosure.
- Cable gland and seals are correctly seated.
- No humidity can ingress at the cable end.

#### 5.4.3 Requirement for shielding and grounding

The submersible pressure sensor must be shielded and grounded in accordance with the grounding concept of the plant.

## 5. Commissioning, operation

### 5.4.4 Fitting the measuring point tag

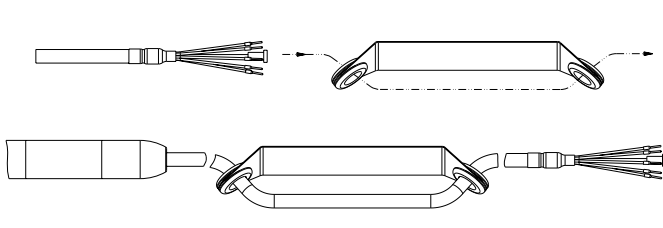
Before the submersible pressure sensor is wired, the measuring point tag must be attached to the cable. The measuring point tag acts to identify the submersed instrument and contains a copy of the product label.

1. Remove the packaging at the cable end



2. Thread the measuring point tag onto the cable.

The rubber stops at the measuring point tag protect the cable and must be undamaged and correct mounted. Position the measuring point tag so that, in the mounted state, it is easily reachable and protected against harsh environmental conditions.



### 5.4.5 Shortening the cable

The cable can be shortened as required.

With submersible pressure sensors with voltage output, a shortening of the cable results in an offset error:  
 $\leq 0.014 \% / \text{m}$  of shortened cable.

After the shortening, provide the wire ends with end splices and position the filter element on the vent tube.

### 5.4.6 Connecting the instrument to the electric system

- ▶ Connect the cables to the terminals.
- ▶ For voltage outputs, the load must be specified so that the output current does not exceed 1 mA.

## 5. Commissioning, operation

### Load

Current output:  $\leq (U_+ - (U_{+\min} - 0.5 \text{ V})) / 0.023 \text{ A}$

Voltage output:  $\leq 1 \text{ mA}$

EN

Additional load of the cable:

$\leq \text{cable length in m} \times 0.084 \ \Omega$

### Pin assignment

#### 4 ... 20 mA, 4 ... 20 mA + HART® (2-wire)

U+	Brown (BN)
U-	Blue (BU)
Shield	Grey (GY)

#### 2 x 4 ... 20 mA (2 x 2-wire, galvanically isolated)

U+ (pressure sensor)	Brown (BN)
U- (pressure sensor)	Blue (BU)
U+ (temperature sensor)	Green (GN)
U- (temperature sensor)	White (WH)
Shield	Grey (GY)

#### DC 0.1 ... 2.5 V (3-wire, low power)

U+	Brown (BN)
U-	Blue (BU)
S+	Black (BK)
Shield	Grey (GY)

## 5. Commissioning, operation

### 2 x DC 0.1 ... 2.5 V (3-wire, low power)

<b>U+</b>	Brown (BN)
<b>U-</b>	Blue (BU)
<b>S+ (pressure sensor)</b>	Black (BK)
<b>S+ (temperature sensor)</b>	Green (GN)
<b>Shield</b>	Grey (GY)

#### Legend

U+ Positive power supply terminal

U- Negative power supply terminal

S+ Analogue output

#### 5.4.7 Mounting the instrument

Prior to commissioning, the submersible pressure sensor must be subjected to a visual inspection.

- Leaking fluid is indicative of damage.
- Only use the submersible pressure sensor if it is in perfect condition with respect to safety.

The protection cap protects the internal diaphragm from damage during transport and during the lowering of the probe. With viscous or contaminated media, the protection cap can be removed in order to ensure trouble-free operation.

When laying the cable, a minimum bending radius of 120 mm must be ensured.

#### 5.5 Configuring via HART® interface

The HART® modem with RS232, USB or Bluetooth interface (→ see Accessories) enables the connection of communicating instruments to the respective interface of a PC. To parameterise these instruments, operating software with COMM DTM HART® and Device DTM Generic HART® (e.g. PACTware®) is needed.



The PACTware® operating software and the required DTMs are available for download at [www.wika.com](http://www.wika.com).

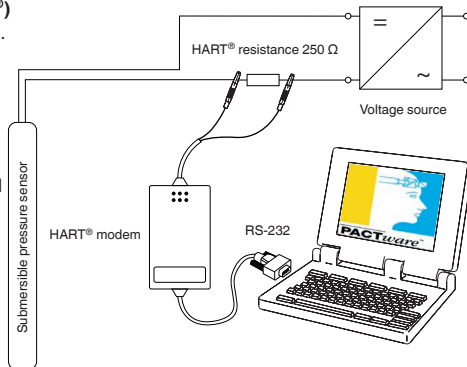
## 5. Commissioning, operation / 6. Faults

### Connecting submersible pressure sensor to PC (HART®)

Any work should only be carried out in a non-hazardous area.

1. Connect HART® modem to submersible pressure sensor.
2. Connect HART® modem to PC or notebook.

With repeater power supplies with integrated HART® resistances (internal resistance approx. 250  $\Omega$ ), no additional external resistance is necessary.



### 5.6 External display and control units

The DIH50 and DIH52 display and control units are suitable for measured value display and control of instruments with HART® protocol. The respective control unit is looped into the 4 ... 20 mA + HART® signal line. For sensors without HART® protocol, the control units are suitable for measured value display.

For further information see the operating instructions of the respective display and control unit.

## 6. Faults



### CAUTION!

#### Physical injuries and damage to property and the environment

If faults cannot be eliminated by means of the listed measures, the submersible pressure sensor must be taken out of operation immediately.

- ▶ Ensure that pressure or signal is no longer present and protect against accidental commissioning.
- ▶ Contact the manufacturer.
- ▶ If a return is needed, please follow the instructions given in chapter 8.2 "Return".

## 6. Faults



### WARNING!

#### Physical injuries and damage to property and the environment caused by hazardous media

Upon contact with hazardous media (e.g. oxygen, acetylene, flammable or toxic substances), harmful media (e.g. corrosive, toxic, carcinogenic, radioactive), and also with refrigeration plants and compressors, there is a danger of physical injuries and damage to property and the environment.

- ▶ Should a failure occur, aggressive media with extremely high temperature and under high pressure or vacuum may be present at the instrument.
- ▶ For these media, in addition to all standard regulations, the appropriate existing codes or regulations must also be followed.
- ▶ Wear the requisite protective equipment.



For contact details see chapter 1 "General information" or the back page of the operating instructions.

In the event of any faults, first check whether the submersible pressure sensor is mounted correctly, mechanically and electrically.

If complaint is unjustified, the handling costs will be charged.

Faults	Causes	Measures
<b>No output signal</b>	Cable break	Check the continuity
	Incorrect supply voltage connected	Rectify the supply voltage
<b>Deviating zero point signal</b>	Overpressure limit exceeded	Observe the permissible overpressure limit
	Too high/low working temperature	Observe the permissible temperatures
	Diaphragm damage	Replace instrument; if it fails repeatedly, contact the manufacturer
<b>Zero point varies/inaccurate</b>	Moisture has entered at the cable end	Fit the cable correctly
	Cable damaged	Replace instrument; if it fails repeatedly, contact the manufacturer
<b>Signal span varies/inaccurate</b>	Too high/low working temperature	Observe the permissible temperatures

## 6. Faults / 7. Maintenance and cleaning

Faults	Causes	Measures
Signal span drops/too small	Mechanical overload caused by overpressure	Replace instrument; if it fails repeatedly, contact the manufacturer
	Diaphragm damage	Replace instrument; if it fails repeatedly, contact the manufacturer
Signal span drops	Moisture has entered at the cable end	Fit the cable correctly
	Cable damaged	Replace instrument; if it fails repeatedly, contact the manufacturer

EN

## 7. Maintenance and cleaning

### 7.1 Maintenance

When used in strongly contaminated and adhesive media, the pressure port of the submersible pressure sensor has to be cleaned regularly. The cleaning interval is dependent upon the respective application. The checking and cleaning of the pressure port should thus be added to the maintenance plan.

Since the cleaning intervals are dependent on the operating conditions, no universal time periods can be specified.

Repairs must only be carried out by the manufacturer.

### 7.2 Cleaning



#### **WARNING!**

#### **Physical injuries and damage to property and the environment through residual media**

Residual media at the dismantled instrument can result in a risk to persons, the environment and equipment.

- ▶ With hazardous substances, observe the material safety data sheet for the corresponding medium.
- ▶ Wear the requisite protective equipment.



## 7. Maintenance and cleaning / 8. Dismounting, return and disposal



### CAUTION!

#### Unsuitable cleaning agents

Cleaning with unsuitable cleaning agents may damage the instrument and the product label.

- ▶ Do not use any aggressive cleaning agents.
- ▶ Do not use any hard or pointed objects.
- ▶ Do not use any abrasive cloths or sponges.

#### Suitable cleaning agents

- Water
- Conventional dishwashing detergent

#### Cleaning the instrument

1. Disconnect the submersible pressure sensor from the mains.
2. Wipe the instrument surface using a soft, damp cloth.

## 8. Dismounting, return and disposal

### 8.1 Dismounting



### WARNING!

#### Physical injuries and damage to property and the environment caused by hazardous media

Upon contact with hazardous media (e.g. oxygen, acetylene, flammable or toxic substances), harmful media (e.g. corrosive, toxic, carcinogenic, radioactive), and also with refrigeration plants and compressors, there is a danger of physical injuries and damage to property and the environment.

- ▶ Should a failure occur, aggressive media with extremely high temperature and under high pressure or vacuum may be present at the instrument.
- ▶ Wear the requisite protective equipment.

#### Dismounting the instrument

1. Disconnect the submersible pressure sensor from the mains.
2. Disconnect the electrical connection.
3. Withdraw the submersible pressure sensor from the medium.

## 8. Dismounting, return and disposal

### 8.2 Return

#### Strictly observe the following when shipping the instrument:

All instruments delivered to WIKA must be free from any kind of hazardous substances (acids, bases, solutions, etc.) and must therefore be cleaned before being returned.



#### **WARNING!**

#### **Physical injuries and damage to property and the environment through residual media**

Residual media in the dismantled instrument can result in a risk to persons, the environment and equipment.

- ▶ With hazardous substances, include the material safety data sheet for the corresponding medium.
- ▶ Clean the instrument, see chapter 7.2 "Cleaning".

When returning the instrument, use the original packaging or a suitable transport packaging.



Information on returns can be found under the heading "Service" on our local website.

### 8.3 Disposal

Incorrect disposal can put the environment at risk.

Dispose of instrument components and packaging materials in an environmentally compatible way and in accordance with the country-specific waste disposal regulations.



Do not dispose of with household waste. Ensure a proper disposal in accordance with national regulations.

## 9. Specifications

### 9. Specifications

#### Specifications

<b>Measuring range</b>	See product label
<b>Overload safety</b>	≥ 1.5 times
<b>Temperature measurement (option)</b>	See product label
<b>Output signal</b>	See product label
<b>Load</b>	
Current output	$\leq (U_+ - (U_{+min} - 0.5 V)) / 0.023 A$
Voltage output	≤ 1mA
Additional load of the cable	≤ cable length in m x 0.084 Ω
<b>Supply voltage</b>	See product label
<b>Current consumption</b>	
Current output	Max. 25 mA per output
Voltage output	Max. 5 mA
<b>Accuracy (pressure sensor) (at reference conditions)</b>	■ ≤ ±1 % of span ■ ≤ ±0.5 % of span (option)
<b>Accuracy (temperature sensor)</b>	
-10 ... +80 °C [14 ... 176 °F]:	±1.8 K
-30 ... -10 °C [-22 ... +14 °F]:	±3 K
-40 ... -30 °C [-40 ... -22 °F]:	±4.5 K
<b>Accuracy after turndown 5:1 via HART®</b>	■ ≤ ±1.25 % of scaled span ■ ≤ ±0.75 % of scaled span (option)
<b>Non-linearity per IEC 61298-2</b>	■ ≤ ±0.5 % of span BFSL ■ ≤ ±0.25 % of span BFSL (option)
<b>Non-repeatability</b>	■ ≤ 0.1 % of span ■ ≤ 0.2 % of span (with voltage output and cable length >100 m [325 ft])
<b>Temperature error</b>	See table "Temperature error"

EN

## 9. Specifications

### Specifications

#### Long-term stability per DIN 16086)

Measuring range > 0 ... 0.1 bar	≤ ±0.1 % of span/year
Measuring range ≤ 0 ... 0.1 bar	≤ ±0.2 % of span/year

#### Reference conditions

Ambient temperature	15 ... 25 °C [59 ... 77 °F]	
Atmospheric pressure	860 ... 1,060 mbar [86 ... 106 kPa /12.5 ... 15.4 psig]	
Humidity	45 ... 75 % r. h.	
Supply voltage <sup>1)</sup>	With current output	DC 24 V
	With voltage output	DC 5 V
Mounting position	Calibrated in vertical mounting position with protection cap thread facing downwards.	

**Ingress protection** IP68

**Insulation voltage**

- DC 850 V
- Option of increased overvoltage protection for lightning strikes: DC 50 V

**Resistance to overvoltage** DC 40 V

**Reverse polarity protection** U+ vs. U-

**Short-circuit resistance** S+ vs. U-

**Immersion depth** Max. 100 m [325 ft]

**Max. tensile force of the cable** 1,000 N

#### Weight

Submersible pressure sensor	Approx. 300 g
Cable	Approx. 80 g/m
Additional weight	300 g

#### Permissible temperature ranges

Medium	<ul style="list-style-type: none"><li>■ -10 ... + 50 °C [14 ... 122 °F]</li><li>■ Option: -40 ... +80 °C [-40 ... +176 °F]</li></ul>
Ambient	-40 ... +80 °C [-40 ... +176 °F]

1) CSA approved submersible pressure sensors for general applications must be used with a certified CEC or NEC "Class 2" power supply or alternatively a certified limited power supply in accordance with CSA C22.2 60950-1/UL 60950-1.

## 9. Specifications

### Specifications

Storage	-30 ... +80 °C [-22 ... +176°F]
<b>Switch-on time</b>	
Output signals without HART®	≤ 150 ms
Output signals with HART®	≤ 250 ms
<b>Settling time</b>	
Output signals without HART®	≤ 100 ms
Output signals with HART®	≤ 250 ms
<b>Materials (wetted)</b>	
Case	316L (high-resistance option: 318LN)
Sensor	316L (high-resistance option: Hastelloy C276)
Cable	PUR (high-resistance option: FEP)
Sealing	FKM
Protection cap	PVDF
<b>CE conformity</b>	EMC directive, emission (group 1, class B) and interference immunity (industrial application)

For further specifications see WIKA data sheet LM 40.04 and the order documentation.

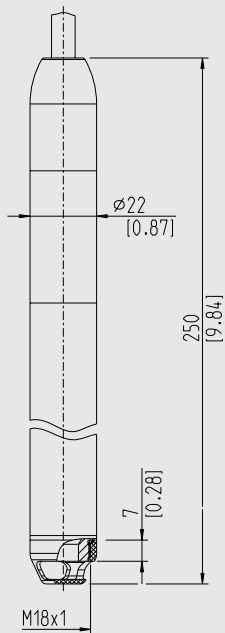
EN

## 9. Specifications

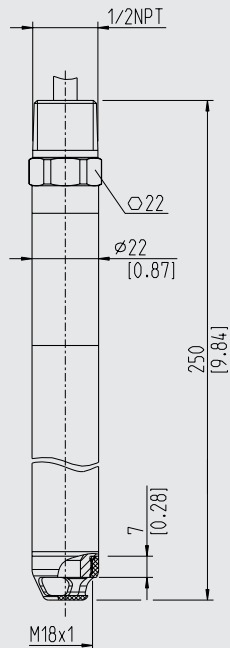
Dimensions in mm [in]

EN

Cable outlet without conduit



Cable outlet with conduit



## Inhalt

<b>1. Allgemeines</b>	<b>24</b>
<b>2. Aufbau und Funktion</b>	<b>25</b>
<b>3. Sicherheit</b>	<b>26</b>
<b>4. Transport, Verpackung und Lagerung</b>	<b>28</b>
<b>5. Inbetriebnahme, Betrieb</b>	<b>29</b>
<b>6. Störungen</b>	<b>34</b>
<b>7. Wartung und Reinigung</b>	<b>36</b>
<b>8. Demontage, Rücksendung und Entsorgung</b>	<b>37</b>
<b>9. Technische Daten</b>	<b>39</b>

Konformitätserklärungen finden Sie online unter [www.wika.de](http://www.wika.de)

# 1. Allgemeines

## 1. Allgemeines

### Sicherheitshinweise für explosionsgefährdete Bereiche:

- ▶ Sicherheitshinweise für Ex-Anwendungen beachten. Diese Sicherheitshinweise sind als „Zusatzinformation“ jedem Gerät mit Ex-Zulassung beigelegt und sind Bestandteil der Betriebsanleitung.
- Das in der Betriebsanleitung beschriebene Gerät wird nach dem aktuellen Stand der Technik konstruiert und gefertigt. Alle Komponenten unterliegen während der Fertigung strengen Qualitäts- und Umweltkriterien. Unsere Managementsysteme sind nach ISO 9001 und ISO 14001 zertifiziert.
- Diese Betriebsanleitung gibt wichtige Hinweise zum Umgang mit dem Gerät. Voraussetzung für sicheres Arbeiten ist die Einhaltung aller angegebenen Sicherheitshinweise und Handlungsanweisungen.
- Die für den Einsatzbereich des Gerätes geltenden örtlichen Unfallverhütungsvorschriften und allgemeinen Sicherheitsbestimmungen einhalten.
- Die Betriebsanleitung ist Produktbestandteil und muss in unmittelbarer Nähe des Gerätes für das Fachpersonal jederzeit zugänglich aufbewahrt werden. Betriebsanleitung an nachfolgende Benutzer oder Besitzer des Gerätes weitergeben.
- Das Fachpersonal muss die Betriebsanleitung vor Beginn aller Arbeiten sorgfältig durchgelesen und verstanden haben.
- Es gelten die allgemeinen Geschäftsbedingungen in den Verkaufsunterlagen.
- Technische Änderungen vorbehalten.
- Weitere Informationen:
  - Internet-Adresse: [www.wika.de](http://www.wika.de) / [www.wika.com](http://www.wika.com)
  - Zugehöriges Datenblatt: LM 40.04
  - Anwendungsberater: Tel.: +49 9372 132-0  
Fax: +49 9372 132-406  
[info@wika.de](mailto:info@wika.de)

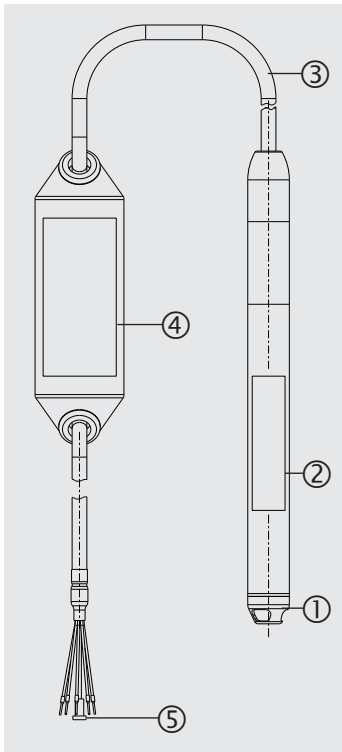
DE



## 2. Aufbau und Funktion

## 2. Aufbau und Funktion

### 2.1 Überblick



- ① Schutzkappe
- ② Typenschild
- ③ Anschlusskabel
- ④ Messstellenkennzeichnung mit Typenschild
- ⑤ Belüftungsrohr mit Filterelement

DE

## 2. Aufbau und Funktion / 3. Sicherheit

### 2.2 Funktionsbeschreibung

Der anstehende hydrostatische Druck wird mittels Membranverformung am Sensorelement gemessen. Unter Zuführung von Hilfsenergie wird diese Membranverformung in ein elektrisches Signal umgewandelt. Das von der Pegelsonde ausgegebene Signal ist verstärkt und standardisiert. Das Ausgangssignal verhält sich proportional zum gemessenen hydrostatischen Druck.

DE

### HART® (Option)

Die Geräteausführung mit HART® kann mit einer Steuerung (Master) kommunizieren.

### Messbereichsskalierung (Turndown)

Messbereichsanfang und Messbereichsende können innerhalb des Messbereiches eingestellt werden. Turndown von 10:1 nicht überschreiten.

### 2.3 Lieferumfang

- Pegelsonde
- Betriebsanleitung
- Testbericht
- Messstellenkennzeichnung zur Befestigung am Kabelende
- Weitere Bescheinigungen und Zeugnisse (optional)

Lieferumfang mit dem Lieferschein abgleichen.

## 3. Sicherheit

### 3.1 Symbolerklärung



#### WARNUNG!

... weist auf eine möglicherweise gefährliche Situation hin, die zum Tod oder zu schweren Verletzungen führen kann, wenn sie nicht gemieden wird.



#### VORSICHT!

... weist auf eine möglicherweise gefährliche Situation hin, die zu geringfügigen oder leichten Verletzungen bzw. Sach- und Umweltschäden führen kann, wenn sie nicht gemieden wird.

## 3. Sicherheit



### Information

... hebt nützliche Tipps und Empfehlungen sowie Informationen für einen effizienten und störungsfreien Betrieb hervor.

### 3.2 Bestimmungsgemäße Verwendung

Die Pegelsonde dient zum Umwandeln von hydrostatischem Druck in ein elektrisches Signal.

Die Pegelsonde nur in Anwendungen verwenden, die innerhalb ihrer technischen Leistungsgrenzen liegen (z. B. max. Umgebungstemperatur, Materialverträglichkeit, ...).

→ Leistungsgrenzen siehe Kapitel 9 „Technische Daten“.

Für Angaben zum Einsatz in explosionsgefährdeten Bereichen oder mit brennbaren Messstoffen die Zusatzinformation 14209917 beachten.

Das Gerät ist ausschließlich für den hier beschriebenen bestimmungsgemäßen Verwendungszweck konzipiert und konstruiert und darf nur dementsprechend verwendet werden.

Ansprüche jeglicher Art aufgrund von nicht bestimmungsgemäßer Verwendung sind ausgeschlossen.

### 3.3 Personalqualifikation

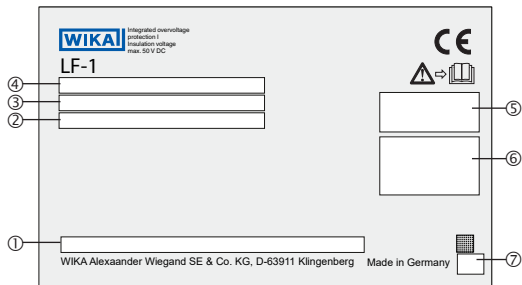
#### Fachpersonal

Das vom Betreiber autorisierte Fachpersonal ist aufgrund seiner fachlichen Ausbildung, seiner Kenntnisse der Mess- und Regelungstechnik und seiner Erfahrungen sowie Kenntnis der landesspezifischen Vorschriften, geltenden Normen und Richtlinien in der Lage, die beschriebenen Arbeiten auszuführen und mögliche Gefahren selbstständig zu erkennen.

## 3. Sicherheit / 4. Transport, Verpackung und Lagerung

### 3.4 Beschilderung, Sicherheitskennzeichnungen

#### Typenschild



- |                                      |                                |                     |
|--------------------------------------|--------------------------------|---------------------|
| ① Typcode                            | ④ Messbereich / Ausgangssignal | ⑦ Herstellungsdatum |
| ② P# Artikelnummer / S# Seriennummer | ⑤ Zulassungen                  |                     |
| ③ Hilfsenergie / Gesamtstromaufnahme | ⑥ Anschlussbelegung            |                     |



Vor Montage und Inbetriebnahme des Gerätes unbedingt die Betriebsanleitung lesen!



Gleichspannung

## 4. Transport, Verpackung und Lagerung

### 4.1 Transport

Pegelsonde auf eventuell vorhandene Transportschäden untersuchen.

Offensichtliche Schäden unverzüglich mitteilen.

Darauf achten, dass die Anschlusskontakte nicht beschädigt werden.

## 4. Transport, Verpackung und Lagerung / 5. Inbetriebnahme, Betrieb

### 4.2 Verpackung und Lagerung

Verpackung erst unmittelbar vor der Montage entfernen.

Die Verpackung aufbewahren, denn diese bietet bei einem Transport einen optimalen Schutz (z. B. wechselnder Einbaut, Reparatursendung).

Vor dem Einlagern die Pegelsonde gründlich reinigen (→ siehe Kapitel 7.3.2 „Reinigung“)

#### Zulässige Bedingungen am Lagerort:

- Lagertemperatur: -40 ... +80 °C [-40 ... +176 °F]
- Feuchtigkeit: 45 ... 75 % relative Feuchte (keine Betauung)

#### Folgende Einflüsse vermeiden:

- Direktes Sonnenlicht oder Nähe zu heißen Gegenständen
- Mechanische Vibration, mechanischer Schock (hartes Aufstellen)
- Ruß, Dampf, Staub und korrosive Gase
- Feuchte oder nasse Umgebung
- Explosionsgefährdete Umgebung, entzündliche Atmosphären

## 5. Inbetriebnahme, Betrieb

### 5.1 Auspacken

Beim Auspacken dürfen keine scharfen Gegenstände (z. B. Cutter-Messer) verwendet werden, da sonst das Kabel beschädigt werden kann.

Pegelsonden mit Kabellängen >100 m sind auf Kabeltrommeln gewickelt und mit Folie umwickelt.

Die Folie per Hand abwickeln. Der Anfang der Folie ist mit einem blauen Klebestreifen markiert.

### 5.2 Eignung für die Prozessbedingungen

Sämtliche im Prozess befindlichen Teile des Gerätes müssen für die auftretenden Prozessbedingungen geeignet sein.

Dazu zählen insbesondere Prozessdruck, Prozesstemperatur sowie die chemischen Eigenschaften der Messstoffe. Vor der Inbetriebnahme muss die Eignung des Gerätes sichergestellt sein (→ Technische Daten siehe Kapitel 9 „Technische Daten“ und Typenschild).

## 5. Inbetriebnahme, Betrieb

### 5.3 Anforderungen an Montagestelle

Die Montagestelle muss folgende Bedingungen erfüllen:

- Membrane ist vor Kontakt mit abrasiven Messstoffen und gegen Schläge geschützt.
- Das Kabel enthält eine Kapillare für den Druckausgleich. Deshalb muss das Kabel in einem trockenen Raum oder einem geeigneten Klemmgehäuse angeschlossen werden.
- Ausreichend Platz für eine sichere elektrische Installation.
- Zulässige Umgebungs- und Messstofftemperaturen bleiben innerhalb der Leistungsgrenzen.  
→ Leistungsgrenzen siehe Kapitel 9 „Technische Daten“

### 5.4 Gerät anschließen

#### 5.4.1 Anforderungen an Spannungsversorgung

→ Hilfsenergie siehe Typenschild

#### 5.4.2 Anforderungen an elektrische Verbindung

- Kabeldurchmesser passt zur Kabeldurchführung des Klemmgehäuses.
- Kabelverschraubung und Dichtungen sitzen korrekt.
- Es kann keine Feuchtigkeit am Kabelende eindringen.

#### 5.4.3 Anforderung an Schirmung und Erdung

Die Pegelsonde muss entsprechend dem Erdungskonzept der Anlage geschirmt und geerdet werden.

## 5. Inbetriebnahme, Betrieb

### 5.4.4 Messstellenkennzeichnung montieren

Bevor die Pegelsonde verdrahtet wird, muss die Messstellenkennzeichnung am Kabel angebracht werden. Die Messstellenkennzeichnung dient der Identifizierung bei eingetauchtem Gerät und enthält eine Kopie des Typenschilds.

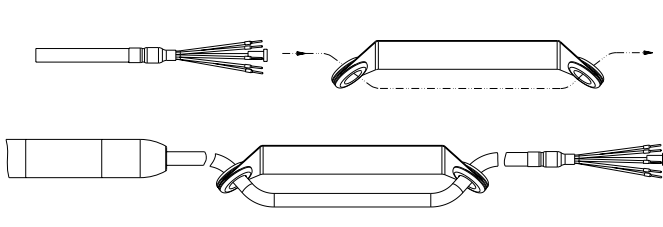
1. Verpackung am Kabelende entfernen.



2. Messstellenkennzeichnung auf das Kabel fädeln.

Gummistopfen an Messstellenkennzeichnung schützen das Kabel und müssen unbeschädigt und korrekt montiert sein.

Messstellenkennzeichnung so positionieren, dass sie im eingebauten Zustand gut erreichbar und vor rauen Umgebungsbedingungen geschützt ist.



### 5.4.5 Kabel kürzen

Das Kabel kann nach Belieben gekürzt werden.

Bei Pegelsonden mit Spannungsausgang hat eine Kürzung des Kabels einen Offsetfehler zur Folge:

≤ 0,014 % / m gekürztes Kabel.

Nach dem Kürzen Aderenden mit Aderendhülsen versehen und Filterelement auf das Belüftungsrohr setzen.

### 5.4.6 Gerät elektrisch anschließen

- ▶ Leitungen an Klemmen anschließen.
- ▶ Bei Spannungsausgängen muss die Bürde so ausgelegt werden, dass der Ausgangsstrom 1 mA nicht überschreitet.

## 5. Inbetriebnahme, Betrieb

### Bürde

Stromausgang:  $\leq (U_+ - (U_{+\min} - 0,5 \text{ V})) / 0,023 \text{ A}$

Spannungsausgang:  $\leq 1 \text{ mA}$

Zusätzliche Bürde des Kabels:

$\leq \text{Kabellänge in m} \times 0,084 \ \Omega$

DE

### Anschlussbelegung

#### 4 ... 20 mA, 4 ... 20 mA + HART® (2-Leiter)

U+	Braun (BN)
U-	Blau (BU)
Schirm	Grau (GY)

#### 2 x 4 ... 20 mA (2 x 2-Leiter, galvanisch getrennt)

U+ (Drucksensor)	Braun (BN)
U- (Drucksensor)	Blau (BU)
U+ (Temperatursensor)	Grün (GN)
U- (Temperatursensor)	Weiß (WH)
Schirm	Grau (GY)

#### DC 0,1 ... 2,5 V (3-Leiter, Low-Power)

U+	Braun (BN)
U-	Blau (BU)
S+	Schwarz (BK)
Schirm	Grau (GY)



## 5. Inbetriebnahme, Betrieb

### 2 x DC 0,1 ... 2,5 V (3-Leiter, Low-Power)

<b>U+</b>	Braun (BN)
<b>U-</b>	Blau (BU)
<b>S+ (Drucksensor)</b>	Schwarz (BK)
<b>S+ (Temperatursensor)</b>	Grün (GN)
<b>Schirm</b>	Grau (GY)

#### Legende

U+ Positiver Versorgungsanschluss

U- Negativer Versorgungsanschluss

S+ Analogausgang

#### 5.4.7 Gerät montieren

Vor der Inbetriebnahme die Pegelsonde optisch prüfen.

- Auslaufende Flüssigkeit weist auf eine Beschädigung hin.
- Die Pegelsonde nur in sicherheitstechnisch einwandfreiem Zustand einsetzen.

Die Schutzkappe schützt die innenliegende Membrane vor Beschädigung während des Transportes und beim Absenken der Sonde. Bei zähflüssigen oder verschmutzten Messstoffen kann die Schutzkappe entfernt werden, um einen störungsfreien Betrieb zu gewährleisten.

Bei der Verlegung des Kabels ist ein minimaler Biegeradius von 120 mm einzuhalten.

### 5.5 Über HART®-Schnittstelle konfigurieren

Das HART®-Modem mit RS232-, USB- oder Bluetooth-Schnittstelle (→ siehe Zubehör) ermöglicht die Anbindung kommunikationsfähiger Geräte an die jeweilige Schnittstelle eines PCs. Zur Parametrierung dieser Geräte ist eine Bediensoftware mit COMM DTM HART® und Device DTM Generic HART® (z. B. PACTware®) erforderlich.



Die Bediensoftware PACTware® und die benötigten DTMs stehen auf [www.wika.de](http://www.wika.de) zum Download bereit.

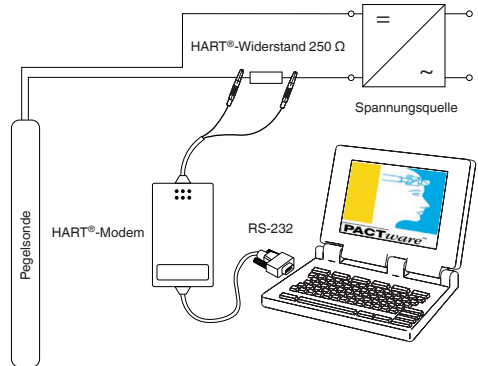
## 5. Inbetriebnahme, Betrieb / 6. Störungen

### Pegelsonde mit PC verbinden (HART®)

Alle Arbeiten nur im Nicht-Ex-Bereich durchführen.

1. HART®-Modem mit Pegelsonde verbinden.
2. HART®-Modem mit PC oder Notebook verbinden.

Bei Speisegeräten mit integriertem HART®-Widerstand (Innenwiderstand ca. 250  $\Omega$ ) ist kein zusätzlicher externer Widerstand notwendig.



### 5.6 Externe Anzeige- und Bedieneinheiten

Die Anzeige- und Bedieneinheiten DIH50 und DIH52 sind geeignet zur Messwertanzeige und Bedienung von Geräten mit HART®-Protokoll. Die jeweilige Bedieneinheit wird in die 4 ... 20 mA + HART®-Signalleitung eingeschleift. Bei Sensoren ohne HART®-Protokoll sind die Bedieneinheiten zur Messwertanzeige geeignet.

→ Weitere Informationen siehe Betriebsanleitung der jeweiligen Anzeige- und Bedieneinheit.

## 6. Störungen



### VORSICHT!

#### Körperverletzungen, Sach- und Umweltschäden

Können Störungen mit Hilfe der aufgeführten Maßnahmen nicht beseitigt werden, Pegelsonde unverzüglich außer Betrieb setzen.

- ▶ Sicherstellen, dass kein Druck bzw. Signal mehr anliegt und gegen versehentliche Inbetriebnahme schützen.
- ▶ Kontakt mit dem Hersteller aufnehmen.
- ▶ Bei notwendiger Rücksendung die Hinweise unter Kapitel 8.2 „Rücksendung“ beachten.

## 6. Störungen



### WARNUNG!

#### Körperverletzungen, Sach- und Umweltschäden durch gefährliche Messstoffe

Bei Kontakt mit gefährlichen Messstoffen (z. B. Sauerstoff, Acetylen, brennbaren oder giftigen Stoffen), gesundheitsgefährdenden Messstoffen (z. B. ätzend, giftig, krebserregend, radioaktiv) sowie bei Kälteanlagen, Kompressoren besteht die Gefahr von Körperverletzungen, Sach- und Umweltschäden.

- ▶ Am Gerät können im Fehlerfall aggressive Messstoffe mit extremer Temperatur und unter hohem Druck oder Vakuum anliegen.
- ▶ Bei diesen Messstoffen müssen über die gesamten allgemeinen Regeln hinaus die einschlägigen Vorschriften beachtet werden.
- ▶ Notwendige Schutzausrüstung tragen.



Kontaktdaten siehe Kapitel 1 „Allgemeines“ oder Rückseite der Betriebsanleitung.

Bei Störungen zuerst überprüfen, ob die Pegelsonde mechanisch und elektrisch korrekt montiert ist. Im unberechtigten Reklamationsfall werden Bearbeitungskosten berechnet.

Störungen	Ursachen	Maßnahmen
<b>Kein Ausgangssignal</b>	Leitungsbruch	Durchgang überprüfen
	Unzulässige Hilfsenergie angelegt	Hilfsenergie korrigieren
<b>Abweichendes Nullpunkt-Signal</b>	Überlast-Druckgrenze überschritten	Zulässige Überlast-Druckgrenze einhalten
	Zu hohe/niedrige Einsatztemperatur	Zulässige Temperaturen einhalten
	Membranbeschädigung	Gerät austauschen; bei wiederholtem Ausfall Rücksprache mit Hersteller
<b>Nullpunkt schwankend/ungenau</b>	Feuchtigkeit am Kabelende eingetreten	Kabel korrekt montieren
	Kabel beschädigt	Gerät austauschen; bei wiederholtem Ausfall Rücksprache mit Hersteller
<b>Signalspanne schwankend/ungenau</b>	Zu hohe/niedrige Einsatztemperatur	Zulässige Temperaturen einhalten

## 6. Störungen / 7. Wartung und Reinigung

Störungen	Ursachen	Maßnahmen
Signalspanne fällt ab/zu klein	Mechanische Überlastung durch Überdruck	Gerät austauschen; bei wiederholtem Ausfall Rücksprache mit Hersteller
	Membranbeschädigung	Gerät austauschen; bei wiederholtem Ausfall Rücksprache mit Hersteller
Signalspanne fällt ab	Feuchtigkeit am Kabelende eingetreten	Kabel korrekt montieren
	Kabel beschädigt	Gerät austauschen; bei wiederholtem Ausfall Rücksprache mit Hersteller

## 7. Wartung und Reinigung

### 7.1 Wartung

Beim Einsatz in stark verschmutzten und anhaftenden Messstoffen ist der Druckkanal der Pegelsonde regelmäßig zu reinigen. Das Reinigungsintervall ist abhängig von der jeweiligen Anwendung. Die Überprüfung und Reinigung des Druckkanals sollte daher in den Wartungsplan mit aufgenommen werden.

Da die Reinigungsintervalle abhängig von den Betriebsverhältnissen sind, können keine allgemeingültigen Fristen angegeben werden.

Reparaturen sind ausschließlich vom Hersteller durchzuführen.

### 7.2 Reinigung



#### **WARNUNG!**

#### **Körperverletzungen, Sach- und Umweltschäden durch Messstoffreste**

Messstoffreste am ausgebauten Gerät können zur Gefährdung von Personen, Umwelt und Einrichtung führen.

- ▶ Bei Gefahrenstoffen das Sicherheitsdatenblatt für den entsprechenden Messstoff befolgen.
- ▶ Notwendige Schutzausrüstung tragen.

## 7. Wartung und Reinigung / 8. Demontage, Rücksendung und Entsorgung



### **VORSICHT!**

#### **Ungeeignete Reinigungsmittel**

Eine Reinigung mit ungeeigneten Reinigungsmitteln kann Gerät und Typenschild beschädigen.

- ▶ Keine aggressiven Reinigungsmittel verwenden.
- ▶ Keine harten oder spitzen Gegenstände verwenden.
- ▶ Keine scheuernden Tücher oder Schwämme verwenden.

#### **Geeignete Reinigungsmittel**

- Wasser
- Handelsüblicher Geschirreiniger

#### **Gerät reinigen**

1. Pegelsonde stromlos schalten.
2. Geräteoberfläche mit weichem, feuchten Tuch abwischen.

## 8. Demontage, Rücksendung und Entsorgung

### 8.1 Demontage



### **WARNUNG!**

#### **Körperverletzungen, Sach- und Umweltschäden durch gefährliche Messstoffe**

Bei Kontakt mit gefährlichen Messstoffen (z. B. Sauerstoff, Acetylen, brennbaren oder giftigen Stoffen), gesundheitsgefährdenden Messstoffen (z. B. ätzend, giftig, krebserregend, radioaktiv) sowie bei Kälteanlagen, Kompressoren besteht die Gefahr von Körperverletzungen, Sach- und Umweltschäden.

- ▶ Am Gerät können im Fehlerfall aggressive Messstoffe mit extremer Temperatur und unter hohem Druck oder Vakuum anliegen.
- ▶ Notwendige Schutzausrüstung tragen.

#### **Gerät demontieren**

1. Pegelsonde stromlos schalten.
2. Elektrische Verbindung trennen.
3. Pegelsonde aus dem Messstoff ziehen.

## 8. Demontage, Rücksendung und Entsorgung

### 8.2 Rücksendung

#### Beim Versand des Gerätes unbedingt beachten:

Alle an WIKA gelieferten Geräte müssen frei von Gefahrstoffen (Säuren, Laugen, Lösungen, etc.) sein und sind daher vor der Rücksendung zu reinigen.



#### WARNUNG!

#### Körperverletzungen, Sach- und Umweltschäden durch Messstoffreste

Messstoffreste im ausgebauten Gerät können zur Gefährdung von Personen, Umwelt und Einrichtung führen.

- ▶ Bei Gefahrstoffen das Sicherheitsdatenblatt für den entsprechenden Messstoff beilegen.
- ▶ Gerät reinigen, siehe Kapitel 7.2 „Reinigung“.

Zur Rücksendung des Gerätes die Originalverpackung oder eine geeignete Transportverpackung verwenden.



Hinweise zur Rücksendung befinden sich in der Rubrik „Service“ auf unserer lokalen Internetseite.

### 8.3 Entsorgung

Durch falsche Entsorgung können Gefahren für die Umwelt entstehen.

Gerätekomponenten und Verpackungsmaterialien entsprechend den landesspezifischen Abfallbehandlungs- und Entsorgungsvorschriften umweltgerecht entsorgen.



Nicht mit dem Hausmüll entsorgen. Für eine geordnete Entsorgung gemäß nationaler Vorgaben sorgen.

## 9. Technische Daten

## 9. Technische Daten

### Technische Daten

<b>Messbereich</b>	Siehe Typenschild
<b>Überlastsicherheit</b>	≥ 1,5-fach
<b>Temperaturmessung (Option)</b>	Siehe Typenschild
<b>Ausgangssignal</b>	Siehe Typenschild
<b>Bürde</b>	
Stromausgang	$\leq (U_+ - (U_{+min} - 0,5 V)) / 0,023 A$
Spannungsausgang	≤ 1mA
Zusätzliche Bürde des Kabels	≤ Kabellänge in m x 0,084 Ω
	Bei Spannungsausgängen muss die Bürde so ausgelegt werden, dass der Ausgangsstrom 1 mA nicht überschreitet.
<b>Hilfsenergie</b>	Siehe Typenschild
<b>Stromverbrauch</b>	
Stromausgang	Max. 25 mA pro Ausgang
Spannungsausgang	Max. 5 mA
<b>Genauigkeit (Drucksensor) (bei Referenzbedingungen)</b>	<ul style="list-style-type: none"><li>■ ≤ ±1 % der Spanne</li><li>■ ≤ ±0,5 % der Spanne (Option)</li></ul>
<b>Genauigkeit (Temperatursensor)</b>	
-10 ... +80 °C [14 ... 176 °F]	±1,8 K
-30 ... -10 °C [-22 ... +14 °F]	±3 K
-40 ... -30 °C [-40 ... -22 °F]	±4,5 K
<b>Genauigkeit nach Turndown 5:1 via HART®</b>	<ul style="list-style-type: none"><li>■ ≤ ±1,25 % der skalierten Spanne</li><li>■ ≤ ±0,75 % der skalierten Spanne (Option)</li></ul>
<b>Nichtlinearität nach IEC 61298-2</b>	<ul style="list-style-type: none"><li>■ ≤ ±0,5 % der Spanne BFSL</li><li>■ ≤ ±0,25 % der Spanne BFSL (Option)</li></ul>
<b>Nichtwiederholbarkeit</b>	<ul style="list-style-type: none"><li>■ ≤ 0,1 % der Spanne</li><li>■ ≤ 0,2 % der Spanne (bei Spannungsausgang und Kabellänge &gt; 100 m [325 ft])</li></ul>
<b>Temperaturfehler</b>	Siehe Tabelle „Temperaturfehler“

## 9. Technische Daten

### Technische Daten

#### Langzeitstabilität nach DIN 16086

Messbereich > 0 ... 0,1 bar	≤ ±0,1 % der Spanne/Jahr
Messbereich ≤ 0 ... 0,1 bar	≤ ±0,2 % der Spanne/Jahr

#### Referenzbedingungen

Umgebungstemperatur	15 ... 25 °C [59 ... 77 °F]	
Luftdruck	860 ... 1.060 mbar [86 ... 106 kPa / 12,5 ... 15,4 psig]	
Luftfeuchte	45 ... 75 % r. F.	
Hilfsenergie <sup>1)</sup>	Stromausgang	DC 24 V
	Spannungsausgang	DC 5 V
Einbaulage	Kalibriert bei senkrechter Einbaulage mit dem Schutzkappengewinde nach unten.	

**Schutzart** IP68

**Isolationsspannung**  
■ DC 850 V  
■ Option erhöhter Überspannungsschutz bei Blitzeinschlag: DC 50 V

**Überspannungsfestigkeit** DC 40 V

**Verpolungsschutz** U+ gegen U-

**Kurzschlussfestigkeit** S+ gegen U-

**Tauchtiefe** Max. 100 m [325 ft]

**Max. Zugkraft des Kabels** 1.000 N

#### Gewicht

Pegelsonde	Ca. 300 g
Kabel	Ca. 80 g/m
Zusatzgewicht	300 g

#### Zulässige Temperaturbereiche

Messstoff	■ -10 ... + 50 °C [14 ... 122 °F]
	■ Option: -40 ... +80 °C [-40 ... +176 °F]
Umgebung	-40 ... +80 °C [-40 ... +176 °F]
Lagerung	-30 ... +80 °C [-22 ... +176 °F]

1) Nach CSA zugelassene Pegelsonden für allgemeine Anwendungen müssen mit einer zertifizierten Stromversorgung gemäß CEC oder NEC „Class 2“ oder alternativ mit einer zertifizierten Stromversorgung mit begrenzter Leistung gemäß CSA C22.2 No.60950 -1/ UL 60950-1 verwendet werden.



## 9. Technische Daten

### Technische Daten

#### Einschaltzeit

Ausgangssignale ohne HART® ≤ 150 ms

Ausgangssignale mit HART® ≤ 250 ms

#### Einschwingzeit

Ausgangssignale ohne HART® ≤ 100 ms

Ausgangssignale mit HART® ≤ 250 ms

#### Werkstoff (messstoffberührt)

Gehäuse 316L (Option Hochbeständig: 318LN)

Sensor 316L (Option Hochbeständig: Hastelloy C276)

Kabel PUR (Option Hochbeständig: FEP)

Dichtung FKM

Schutzkappe PVDF

#### CE-Konformität

EMV-Richtlinie, Emission (Gruppe 1, Klasse B) und Störfestigkeit (industrieller Bereich)

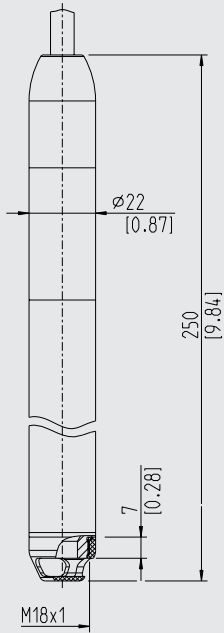
Weitere technische Daten siehe WIKA-Datenblatt LM 40.04 und Bestellunterlagen.

## 9. Technische Daten

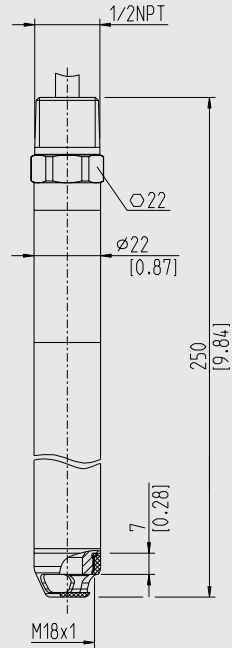
### Abmessungen in mm [in]

DE

Kabelausgang ohne Conduit



Kabelausgang mit Conduit



## Sommaire

<b>1. Généralités</b>	<b>44</b>
<b>2. Conception et fonction</b>	<b>45</b>
<b>3. Sécurité</b>	<b>47</b>
<b>4. Transport, emballage et stockage</b>	<b>49</b>
<b>5. Mise en service, utilisation</b>	<b>50</b>
<b>6. Dysfonctionnements</b>	<b>55</b>
<b>7. Entretien et nettoyage</b>	<b>57</b>
<b>8. Démontage, retour et mise au rebut</b>	<b>58</b>
<b>9. Spécifications</b>	<b>60</b>

Déclarations de conformité disponibles en ligne sur [www.wika.com](http://www.wika.com)

# 1. Généralités

## 1. Généralités

### Instructions de sécurité pour les zones explosives:

► Prendre en considération les instructions de sécurité pour les applications Ex. Ces instructions de sécurité sont attachés à chaque instrument en tant que « instructions additionnelles » et sont incluses dans le mode d'emploi.

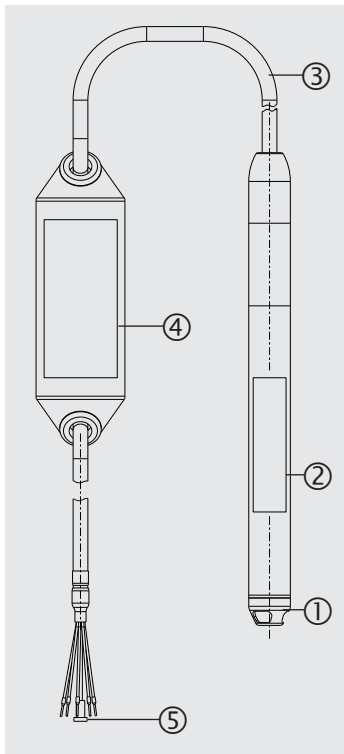
- L'instrument décrit dans le mode d'emploi est conçu et fabriqué selon les dernières technologies en vigueur. Tous les composants sont soumis à des exigences environnementales et de qualité strictes durant la fabrication. Nos systèmes de gestion sont certifiés selon ISO 9001 et ISO 14001.
- Ce mode d'emploi donne des indications importantes concernant l'utilisation de l'instrument. Il est possible de travailler en toute sécurité avec ce produit en respectant toutes les consignes de sécurité et d'utilisation.
- Respecter les prescriptions locales de prévention contre les accidents et les prescriptions générales de sécurité en vigueur pour le domaine d'application de l'instrument.
- Le mode d'emploi fait partie de l'instrument et doit être conservé à proximité immédiate de l'instrument et accessible à tout moment pour le personnel qualifié. Transmettre le mode d'emploi à l'utilisateur ou propriétaire ultérieur de l'instrument.
- Le personnel qualifié doit, avant de commencer toute opération, avoir lu soigneusement et compris le mode d'emploi.
- Les conditions générales de vente mentionnées dans les documents de vente s'appliquent.
- Sous réserve de modifications techniques.
- Pour obtenir d'autres informations :
  - Consulter notre site Internet : [www.wika.fr](http://www.wika.fr)
  - Fiche technique correspondante : LM 40.04
  - Conseiller applications : Tel. 0 820 95 10 10 (0,15 €/min)  
[info@wika.fr](mailto:info@wika.fr)

FR

## 2. Conception et fonction

## 2. Conception et fonction

### 2.1 Vue générale



- ① Bouchon de protection
- ② Plaque signalétique
- ③ Câble de raccordement
- ④ Tag du point de mesure avec plaque signalétique
- ⑤ Tube de mise à l'atmosphère avec élément filtrant

FR

## 2. Conception et fonction / 3. Sécurité

### 2.2 Description fonctionnelle

La pression hydrostatique de référence est mesurée sur l'élément capteur par la déformation d'une membrane. En fournissant du courant, on convertit cette déformation de la membrane en un signal électrique. Le signal de sortie en provenance du transmetteur de pression immergeable est amplifié et standardisé. Le signal de sortie est proportionnel à la pression hydrostatique mesurée.

### HART® (en option)

La version de l'instrument avec HART® peut communiquer avec un contrôleur (maître).

### Mise à l'échelle de l'étendue de mesure (rangeabilité)

Le début et la fin de l'étendue de mesure peut être réglée au sein de l'étendue de mesure.  
Ne pas dépasser une rangeabilité de 10:1.

### 2.3 Détail de la livraison

- Transmetteur de pression immergeable
- Mode d'emploi
- Relevé de contrôle
- Tag du point de mesure pour la fixation sur l'extrémité du câble
- Autres certificats (en option)

Comparer le détail de la livraison avec le bordereau de livraison.

## 3. Sécurité

### 3.1 Explication des symboles



#### AVERTISSEMENT !

... indique une situation présentant des risques susceptibles de provoquer la mort ou des blessures graves si elle n'est pas évitée.



#### ATTENTION !

... indique une situation potentiellement dangereuse et susceptible de provoquer de légères blessures ou des dommages pour le matériel et pour l'environnement si elle n'est pas évitée.



### Information

... met en exergue les conseils et recommandations utiles de même que les informations permettant d'assurer un fonctionnement efficace et normal.

### 3.2 Utilisation conforme à l'usage prévu

Le transmetteur de pression immergeable permet de convertir la pression hydrostatique en un signal électrique.

Utiliser le transmetteur de pression immergeable uniquement dans des applications qui se trouvent dans les limites de ses performances techniques (par exemple température ambiante maximale, compatibilité de matériaux, ...).

→ Pour limites de performance voir chapitre 9 "Spécifications"

Pour des informations sur l'utilisation dans des atmosphères potentiellement explosives ou avec des milieux inflammables, voir les Informations complémentaires 14209917.

Ces instruments sont conçus et construits exclusivement pour une utilisation conforme à l'usage prévu décrit ici, et ne doivent être utilisés qu'à cet effet.

Aucune réclamation ne peut être recevable en cas d'utilisation non conforme à l'usage prévu.

### 3.3 Qualification du personnel

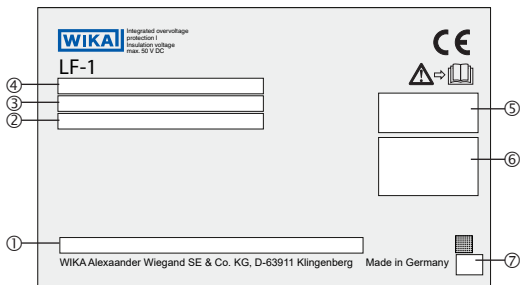
#### Personnel qualifié

Le personnel qualifié, autorisé par l'opérateur, est, en raison de sa formation spécialisée, de ses connaissances dans le domaine de l'instrumentation de mesure et de régulation et de son expérience, de même que de sa connaissance des réglementations nationales et des normes en vigueur, en mesure d'effectuer les travaux décrits et d'identifier de façon autonome les dangers potentiels.

## 3. Sécurité / 4. Transport, emballage et stockage

### 3.4 Etiquetage, marquages de sécurité

#### Plaque signalétique



- |   |  |                       |
|---|--|-----------------------|
| ① Code de type                                  | ④ Etendue de mesure / Signal de sortie | ⑦ Date de fabrication |
| ② P# Numéro d'article / S# Numéro de série      | ⑤ Agréments                            |                       |
| ③ Alimentation / Consommation de courant totale | ⑥ Configuration du raccordement        |                       |



Lire impérativement le mode d'emploi avant le montage et la mise en service de l'instrument !



Tension DC

## 4. Transport, emballage et stockage

### 4.1 Transport

Vérifier s'il existe des dégâts sur le transmetteur de pression immergeable liés au transport.

Communiquer immédiatement les dégâts constatés.

Assurez-vous que les contacts de connexion ne sont pas endommagés.

### 4.2 Emballage et stockage



## 4. Transport, emballage et stockage / 5. Mise en service, utilisation

N'enlever l'emballage qu'avant le montage.

Conserver l'emballage, celui-ci offre, lors d'un transport, une protection optimale (par ex. changement de lieu d'utilisation, renvoi pour réparation).

Avant le stockage, nettoyez complètement le transmetteur de pression immergeable (→ voir chapitre 7.3.2 "Nettoyage")

### Conditions admissibles sur le lieu de stockage :

- Température de stockage : -40 ... +80 °C [-40 ... +176 °F]
- Humidité : 45 ... 75 % d'humidité relative (sans condensation)

### Eviter les influences suivantes :

- Lumière solaire directe ou proximité d'objets chauds
- Vibrations mécaniques, chocs mécaniques (mouvements brusques en le posant)
- Suie, vapeur, poussière et gaz corrosifs
- Environnement humide et mouillé
- Environnements dangereux, atmosphères inflammables

FR

## 5. Mise en service, utilisation

### 5.1 Déballage

Lorsque vous procédez au déballage, ne pas utiliser d'objets coupants (par exemple un cutter), car cela pourrait endommager le câble.

Les transmetteurs de pression immergeables avec des longueurs de câble >100 m sont enroulés sur des bobines de câble et enveloppés dans un film de protection.

Défaire le film à la main. La fin du film est marquée avec une bande bleue.

### 5.2 Aptitude aux conditions de process

Tous les composants de l'instrument qui sont en contact avec le process doivent être adaptées aux conditions de process qui peuvent exister. Parmi elles, on trouve la pression de process, la température de process et aussi les propriétés chimiques des fluides. Avant la mise en service, il faut s'assurer que l'instrument est bien adapté (→ pour les spécifications, voir chapitre 9 "Spécifications" et la plaque signalétique du produit).

### 5.3 Exigences concernant le lieu d'installation

## 5. Mise en service, utilisation

Le lieu d'installation doit remplir les conditions suivantes :

- La membrane est protégée du contact avec des fluides abrasifs et contre tout impact.
- Le câble contient un capillaire pour la compensation de pression. Le câble doit donc être connecté dans un endroit sec ou une boîte à bornes adaptée.
- Un espace suffisant pour une installation électrique en toute sécurité.
- Les températures ambiantes et du fluide admissibles restent dans les limites de leurs performances. Pour limites de performance voir chapitre 9 "Spécifications".

FR

### 5.4 Connexion de l'instrument

#### 5.4.1 Exigences concernant la tension d'alimentation

→ Pour l'alimentation électrique voir la plaque signalétique

#### 5.4.2 Exigences concernant le raccordement électrique

- Le diamètre du câble correspond à l'embout de câble de la boîte à bornes.
- Le presse-étoupe et les joints d'étanchéité sont posés correctement.
- Aucune humidité ne peut pénétrer à l'extrémité du câble.

#### 5.4.3 Exigences concernant le blindage et la mise à la terre

Le transmetteur de pression immergeable doit être blindé et mis à la terre en conformité avec le concept de mise à la terre de l'installation.

## 5. Mise en service, utilisation

### 5.4.4 Placement du tag du point de mesure

Avant de brancher le transmetteur de pression immergeable, il faut attacher le tag du point de mesure au câble. Le tag de point de mesure sert à identifier l'instrument immergé et contient une copie de la plaque signalétique.

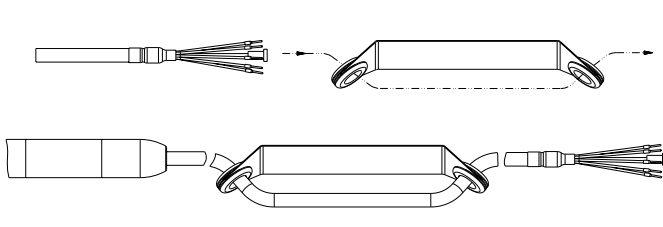
1. Retirer l'emballage à l'extrémité du câble



2. Enfiler le tag du point de mesure sur le câble.

Les arrêtes en caoutchouc situés sur le tag de point de mesure protègent le câble et doivent être exempts de tout dommage et installés correctement.

Positionner le tag de point de mesure de sorte que, lorsqu'il est installé, il soit facilement accessible et protégé contre des conditions environnementales difficiles.



### 5.4.5 Raccourcissement du câble

Le câble peut être raccourci à volonté.

Avec des transmetteurs de pression immergeables avec sortie de tension, un raccourcissement des câbles provoque une erreur offset :

$\leq 0,014 \%$  / m de câble raccourci.

Après le raccourcissement, posez des épissures sur les extrémités de câble et positionnez l'élément filtrant sur le tube de mise à l'atmosphère.

## 5. Mise en service, utilisation

### 5.4.6 Connexion de l'instrument au système électrique

- ▶ Connecter les câbles aux bornes.
- ▶ Pour des sorties de tension, la charge doit être spécifiée de sorte que le courant de sortie ne dépasse pas 1 mA.

#### Charge

Sortie courant:  $\leq (U_+ - (U_{+min} - 0,5 V)) / 0,023 A$

Sortie tension :  $\leq 1 mA$

Charge supplémentaire du câble :  $\leq$  longueur du câble en m x 0,084  $\Omega$

FR

#### Configuration du raccordement

##### 4 ... 20 mA, 4 ... 20 mA + HART® (2 fils)

U+	Marron (BN)
U-	Bleu (BU)
Blindage	Gris (GY)

##### 2 x 4 ... 20 mA (2 x 2 fils, isolation galvanique)

U+ (capteur de pression)	Marron (BN)
U- (capteur de pression)	Bleu (BU)
U+ (sonde de température)	Vert (GN)
U- (sonde de température)	Blanc (WH)
Blindage	Gris (GY)

##### 0,1 ... 2,5 VDC (3 fils, basse puissance)

U+	Marron (BN)
U-	Bleu (BU)
S+	Noir (BK)
Blindage	Gris (GY)

## 5. Mise en service, utilisation

### 2 x 0,1 ... 2,5 VDC (3 fils, basse puissance)

<b>U+</b>	Marron (BN)
<b>U-</b>	Bleu (BU)
<b>S+ (capteur de pression)</b>	Noir (BK)
<b>S+ (sonde de température)</b>	Vert (GN)
<b>Blindage</b>	Gris (GY)

FR

#### Légende

U+ Borne d'alimentation positive

U- Borne d'alimentation négative

S+ Sortie analogique

#### 5.4.7 Montage de l'instrument

Avant la mise en service, le transmetteur de pression immergeable doit être soumis à un contrôle visuel.

- Une fuite de liquide indique un dommage.
- Le transmetteur de pression immergeable ne doit être utilisé qu'en parfait état de sécurité technique.

Le couvercle de protection protège la membrane interne de tout dommage durant le transport et l'immersion de la sonde. Avec des fluides visqueux ou contaminés, le couvercle de protection peut être retiré pour assurer un fonctionnement sans encombre.

Lorsque l'on pose le câble, il faut s'assurer d'avoir un rayon de courbure minimum de 120 mm.

#### 5.5 Configuration via interface HART®

Le modem HART® avec interface RS232, USB ou Bluetooth (→ voir Accessoires) permet la connexion d'instruments de communication vers l'interface respective d'un PC. Pour paramétrer ces instruments, on a besoin d'un logiciel de fonctionnement avec COMM DTM HART® et Device DTM Generic HART® (par exemple PACTware®).



Le logiciel de fonctionnement PACTware® et les DTM requis sont disponibles pour téléchargement à [www.wika.com](http://www.wika.com).

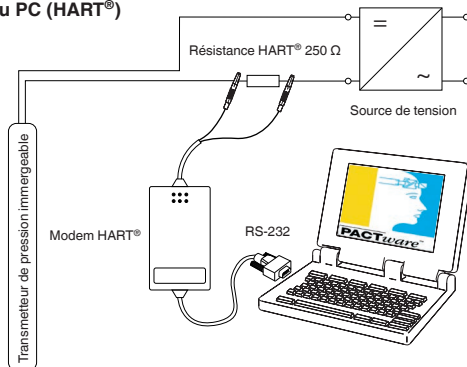
## 5. Mise en service, utilisation / 6. Dysfonctionnements

### Connexion du transmetteur de pression immergeable au PC (HART®)

Tout travail doit être effectué dans une zone non-explosive.

1. Connecter le modem HART® au transmetteur de pression immergeable.
2. Connecter le modem HART® au PC ou notebook.

Avec des séparateurs d'alimentation munis de résistances HART® intégrées (résistance interne d'environ 250  $\Omega$ ), aucune résistance externe supplémentaire n'est nécessaire.



### 5.6 Unités externes d'affichage et de contrôle

Les unités d'affichage et de contrôle DIH50 et DIH52 conviennent pour l'affichage de la valeur de mesure et le contrôle d'instruments avec un protocole HART®. L'unité de contrôle en question est bouclée dans la ligne de signal HART® de 4 ... 20 mA. Pour les capteurs sans protocole HART®, les unités de contrôle conviennent pour l'affichage de la valeur de mesure.

Pour de plus amples informations, voir les instructions de fonctionnement de l'unité d'affichage et de contrôle en question.

## 6. Dysfonctionnements



### ATTENTION !

#### Blessures physiques, dommages aux équipements et à l'environnement

Si les défauts ne peuvent pas être éliminés au moyen des mesures listées, le transmetteur de pression immergeable doit être mis hors service immédiatement.

- ▶ S'assurer que la pression ou le signal n'est plus présent et protéger contre une mise en service accidentelle.
- ▶ Contacter le fabricant.
- ▶ S'il est nécessaire de retourner l'instrument au fabricant, respecter les indications mentionnées au chapitre 8.2 "Retour".

## 6. Dysfonctionnements



### AVERTISSEMENT !

#### Blessures physiques et dommages aux équipements et à l'environnement causés par un fluide dangereux

Lors du contact avec un fluide dangereux (par ex. oxygène, acétylène, substances inflammables ou toxiques), un fluide nocif (par ex. corrosif, cancérigène, radioactif), et également avec des installations de réfrigération et des compresseurs, il y a un danger de blessures physiques et de dommages aux équipements et à l'environnement.

- ▶ En cas d'erreur, des fluides agressifs peuvent être présents à une température extrême et sous une pression élevée ou sous vide au niveau de l'instrument.
- ▶ Pour ces fluides, les codes et directives appropriés existants doivent être observés en plus des réglementations standard.
- ▶ Porter l'équipement de protection requis.



Pour le détail des contacts voir le chapitre 1 "Généralités" ou au dos du mode d'emploi.

Dans le cas de pannes, vérifier d'abord si le transmetteur de pression immergeable est monté correctement, mécaniquement et électriquement.

Si la réclamation n'est pas justifiée, nous vous facturerons les frais de traitement de la réclamation.

Dysfonctionnements	Raisons	Mesures
Pas de signal de sortie	Câble sectionné	Vérifier la continuité
	L'alimentation connectée est incorrecte	Corriger l'alimentation
Déviation du signal de point zéro	Limite de surpression dépassée	Respectez la limite de surpression admissible
	Température de fonctionnement trop haute/ trop basse	Respectez les températures admissibles
	Membrane endommagée	Remplacer l'instrument ; s'il tombe en panne de manière répétée, contacter le fabricant

## 6. Dysfonctionnements / 7. Entretien et nettoyage

Dysfonctionnements	Raisons	Mesures
<b>Point zéro varie/n'est pas précis</b>	De l'humidité a pénétré dans l'extrémité de câble	Monter le câble correctement
	Câble endommagé	Remplacer l'instrument ; s'il tombe en panne de manière répétée, contacter le fabricant
<b>Plage de signaux varie/n'est pas précis</b>	Température de fonctionnement trop haute/ trop basse	Respectez les températures admissibles
<b>Plage de signaux tombe/trop petite</b>	Surcharge mécanique causé par une surpression	Remplacer l'instrument ; s'il tombe en panne de manière répétée, contacter le fabricant
	Membrane endommagée	Remplacer l'instrument ; s'il tombe en panne de manière répétée, contacter le fabricant
<b>Plage de signaux tombe</b>	De l'humidité a pénétré dans l'extrémité de câble	Monter le câble correctement
	Câble endommagé	Remplacer l'instrument ; s'il tombe en panne de manière répétée, contacter le fabricant

## 7. Entretien et nettoyage

### 7.1 Entretien

Lorsqu'il est utilisé dans des milieux fortement contaminés et adhésifs, l'orifice de pression du capteur de pression submersible doit être nettoyé régulièrement. L'intervalle de nettoyage dépend de l'application. Le contrôle et le nettoyage de l'orifice de pression doivent donc être ajoutés au plan de maintenance.

Comme les intervalles de nettoyage dépendent des conditions de fonctionnement, aucune période de temps universelle ne peut être spécifiée.

Les réparations ne doivent être effectuées que par le fabricant.



## 7. Entretien et nettoyage

### 7.2 Nettoyage



#### **AVERTISSEMENT !**

#### **Blessures physiques et dommages aux équipements et à l'environnement liés aux résidus de fluides**

Les restes de fluides se trouvant sur les instruments démontés peuvent mettre en danger les personnes, l'environnement ainsi que l'installation.

- ▶ Avec les substances dangereuses, observer la fiche technique de sécurité de matériau pour le fluide correspondant.
- ▶ Porter l'équipement de protection requis.



#### **ATTENTION !**

#### **Agents de nettoyage inappropriés peuvent endommager l'instrument**

Un nettoyage avec des agents de nettoyage inappropriés peut endommager l'instrument et la plaque signalétique.

- ▶ Ne pas utiliser de détergents agressifs.
- ▶ Ne pas utiliser d'objets durs ou pointus.
- ▶ Ne pas utiliser de chiffons abrasifs ou d'éponges abrasives.

#### **Agents de nettoyage appropriés**

- Eau
- Liquide vaisselle conventionnel

#### **Nettoyage de l'instrument**

1. Débrancher le transmetteur de pression immergeable du secteur.
2. Essuyer la surface de l'instrument avec un chiffon doux et humide.

## 8. Démontage, retour et mise au rebut

### 8. Démontage, retour et mise au rebut

#### 8.1 Démontage



##### **AVERTISSEMENT !**

##### **Blessures physiques et dommages aux équipements et à l'environnement causés par un fluide dangereux**

Lors du contact avec un fluide dangereux (par ex. oxygène, acétylène, substances inflammables ou toxiques), un fluide nocif (par ex. corrosif, toxique, cancérigène, radioactif), et également avec des installations de réfrigération et des compresseurs, il y a un danger de blessures physiques et de dommages aux équipements et à l'environnement.

- ▶ En cas d'erreur, des fluides agressifs peuvent être présents à une température extrême et sous une pression élevée ou sous vide au niveau de l'instrument.
- ▶ Porter l'équipement de protection requis.

#### Démontage de l'instrument

1. Débrancher le transmetteur de pression immergeable du secteur.
2. Déconnecter l'alimentation électrique.
3. Retirer le transmetteur de pression immergeable du fluide.

#### 8.2 Retour

##### **En cas d'envoi de l'instrument, il faut respecter impérativement ceci :**

Tous les instruments livrés à WIKA doivent être exempts de substances dangereuses (acides, bases, solutions, etc.) et doivent donc être nettoyés avant d'être retournés.



##### **AVERTISSEMENT !**

##### **Blessures physiques et dommages aux équipements et à l'environnement liés aux résidus de fluides**

Les restes de fluides se trouvant dans les instruments démontés peuvent mettre en danger les personnes, l'environnement ainsi que l'installation.

- ▶ Avec les substances dangereuses, inclure la fiche technique de sécurité de matériau pour le fluide correspondant.
- ▶ Nettoyer l'instrument, voir chapitre 7.2 "Nettoyage".

Pour retourner l'instrument, utiliser l'emballage original ou un emballage adapté pour le transport.

## 8. Démontage, retour / 9. Spécifications



Des informations relatives à la procédure de retour sont disponibles sur notre site Internet à la rubrique "Services".

### 8.3 Mise au rebut

Une mise au rebut inadéquate peut entraîner des dangers pour l'environnement.

Éliminer les composants des instruments et les matériaux d'emballage conformément aux prescriptions nationales pour le traitement et l'élimination des déchets et aux lois de protection de l'environnement en vigueur.



Ne pas éliminer avec les ordures ménagères. Garantir une élimination correcte selon les prescriptions nationales.

FR

## 9. Spécifications

### Spécifications

<b>Etendue de mesure</b>	Voir plaque signalétique
<b>Limite de surpression</b>	$\geq 1,5$ fois
<b>Mesure de température (en option)</b>	Voir plaque signalétique
<b>Signal de sortie</b>	Voir plaque signalétique
<b>Charge</b>	
Sortie courant	$\leq (U_+ - (U_{+min} - 0,5 V)) / 0,023 A$
Sortie tension	$\leq 1$ mA
Charge supplémentaire du câble	$\leq$ longueur du câble en m x 0,084 $\Omega$
<b>Alimentation</b>	Voir plaque signalétique
<b>Consommation de courant</b>	
Sortie de courant	Max. 25 mA par sortie
Tension de sortie	Max. 5 mA
<b>Précision (capteur de pression) (aux conditions de référence)</b>	<ul style="list-style-type: none"><li>■ <math>\leq \pm 1</math> % de l'échelle</li><li>■ <math>\leq \pm 0,5</math> % de l'échelle (en option)</li></ul>

## 9. Spécifications

### Spécifications

#### Incertitude (capteur de température)

-10 ... +80 °C [14 ... 176 °F]	±1,8 K
-30 ... -10 °C [-22 ... +14 °F]	±3 K
-40 ... -30 °C [-40 ... -22 °F]	±4,5 K

#### Incertitude après rangeabilité 5:1 via HART®

- ≤ ±1,25 % durée mise à l'échelle
- ≤ ±0,75 % durée mise à l'échelle (en option)

#### Non-linéarité (CEI 61298-2)

- ≤ ±0,5 % de l'échelle BFSL
- ≤ ±0,25 % de l'échelle BFSL (en option)

#### Non-répétabilité

- ≤ 0,1 % de l'échelle
- ≤ 0,2 % de l'échelle (avec sortie de tension et longueur de câble >100 m [325 ft])

#### Erreur de température

Voir tableau "Erreur de température"

#### Stabilité à long terme (DIN 16086)

Etendue de mesure > 0 ... 0,1 bar	≤ ±0,1 % de l'échelle par an
Etendue de mesure ≤ 0 ... 0,1 bar	≤ ±0,2 % de l'échelle par an

#### Conditions de référence

Température ambiante	15 ... 25 °C [59 ... 77 °F]
Pression atmosphérique	860 ... 1.060 mbar [86 ... 106 kPa / 12,5 ... 15,4 psig]
Humidité	45 ... 75 % h. r.

Alimentation <sup>1)</sup>	Sortie courant	24 V DC
	Sortie tension	5 V DC

Position de montage	Etalonné en position d'installation verticale avec le filetage de couvercle de protection tourné vers le bas.
---------------------	---

#### Indice de protection

IP68

#### Tension d'isolement

- 850 VDC
- Option de protection accrue contre la surtension pour des éclairs : 50 VDC

#### Résistance aux surtensions

40 VDC

#### Protection contre l'inversion de polarité

U+ vs. U-

#### Résistance court-circuit

S+ vs. U-

FR

14141013.04:12/2022 EN/DE/FR/ES

## 9. Spécifications

### Spécifications

**Profondeur d'immersion** max. 100 m [325 ft]

**Force de traction maximale du câble** 1.000 N

#### Poids

Transmetteur de pression immergeable Environ 300 g

Câble Environ 80 g/m

Poids additionnel 300 g

#### Plages de température admissibles

Fluide ■ -10 ... +50 °C [14 ... 122 °F]  
■ (Option: -40 ... +80 °C [-40 ... +176°F])

Ambiante -40 ... +80 °C [-40 ... +176°F]

Stockage -30 ... +80 °C [-22 ... +176°F]

#### Durée de démarrage

Signaux de sortie sans HART® ≤ 150 ms

Signaux de sortie avec HART® ≤ 250 ms

#### Temps de stabilisation

Signaux de sortie sans HART® ≤ 100 ms

Signaux de sortie avec HART® ≤ 250 ms

#### Parties en contact avec le fluide

Boîtier 316L (option haute résistance : 318LN)

Capteur 316L (option haute résistance : Hastelloy C276)

Câble PUR (option haute résistance option : FEP)

Etanchéité FKM

Bouchon de protection PVDF

**Conformité CE** Directive CEM, émission (groupe 1, classe B) et immunité d'interférence (application industrielle)

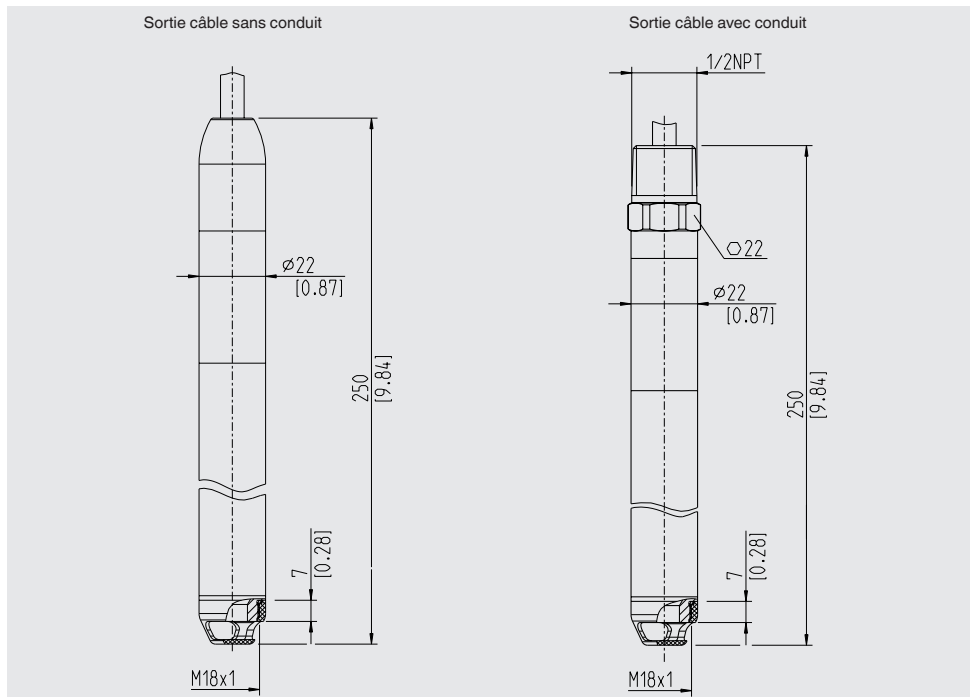
1) Les transmetteurs de pression immergeables approuvés par CSA pour les applications générales doivent être utilisés avec une alimentation électrique certifiée CEC ou NEC « Classe 2 » ou alternativement avec une alimentation électrique limitée certifiée conformément à la norme CSA C22.2 60950-1/UL 60950-1.

FR

## 9. Spécifications

Pour de plus amples spécifications, voir la fiche technique WIKA LM 40.04 et la documentation de commande.

### Dimensions en mm [pouces]



## Contenido

<b>1. Información general</b>	<b>64</b>
<b>2. Diseño y función</b>	<b>65</b>
<b>3. Seguridad</b>	<b>66</b>
<b>4. Transporte, embalaje y almacenamiento</b>	<b>68</b>
<b>5. Puesta en servicio, funcionamiento</b>	<b>69</b>
<b>6. Errores</b>	<b>74</b>
<b>7. Mantenimiento y limpieza</b>	<b>76</b>
<b>8. Desmontaje, devolución y eliminación de residuos</b>	<b>77</b>
<b>9. Datos técnicos</b>	<b>79</b>

Declaraciones de conformidad puede encontrar en [www.wika.es](http://www.wika.es)

## 1. Información general

### 1. Información general

#### Indicaciones de seguridad para atmósferas potencialmente explosivas:

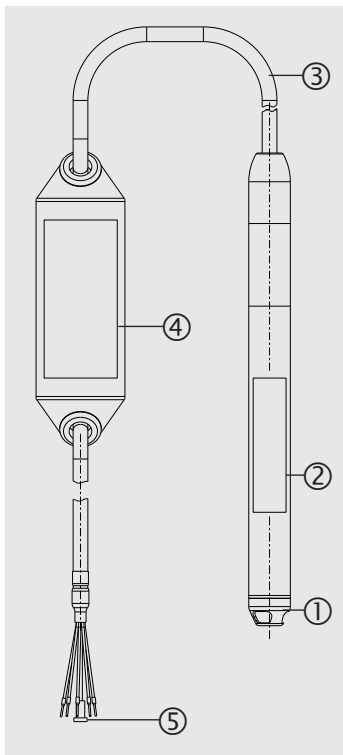
- ▶ Observar las indicaciones de seguridad para aplicaciones Ex. Dichas indicaciones de seguridad se incluyen como “información adicional” para cada dispositivo con aprobación Ex y son parte de las instrucciones de funcionamiento.
- El instrumento descrito en el manual de instrucciones está construido y fabricado según el estado actual de la técnica. Todos los componentes están sujetos a rigurosos criterios de calidad y medio ambiente durante la producción. Nuestros sistemas de gestión están certificados según ISO 9001 e ISO 14001.
- Este manual de instrucciones proporciona indicaciones importantes acerca del manejo del instrumento. Para un trabajo seguro, es imprescindible cumplir con todas las instrucciones de seguridad y manejo indicadas.
- Cumplir siempre las normativas sobre la prevención de accidentes y las normas de seguridad en vigor en el lugar de utilización del instrumento.
- El manual de instrucciones es una parte integrante del instrumento y debe guardarse en la proximidad del mismo para que el personal especializado pueda consultarlo en cualquier momento. Entregar el manual de instrucciones al usuario o propietario siguiente del instrumento.
- El personal especializado debe haber leído y entendido el manual de instrucciones antes de comenzar cualquier trabajo.
- Se aplican las condiciones generales de venta incluidas en la documentación de venta.
- Modificaciones técnicas reservadas.
- Para obtener más informaciones consultar:
  - Página web: [www.wika.es](http://www.wika.es)
  - Hoja técnica correspondiente: LM 40.04
  - Servicio técnico: Tel.: +34 933 938 630  
Fax: +34 933 938 666  
[info@wika.es](mailto:info@wika.es)



## 2. Diseño y función

## 2. Diseño y función

### 2.1 Resumen



- ① Tapa protectora
- ② Placa de identificación
- ③ Cable de conexión
- ④ Señalización del punto de medición con placa de características
- ⑤ Tubo de ventilación con elemento filtrante

ES

## 2. Diseño y función / 3. Seguridad

### 2.2 Descripción del funcionamiento

La presión hidrostática actual se mide a través la deformación de la membrana en el elemento sensible. Mediante alimentación auxiliar, esta deformación de la membrana se transforma en una señal eléctrica. La señal emitida por la sonda de pozo está amplificadas y estandarizada. La señal de salida se comporta proporcionalmente a la presión hidrostática medida.

### HART® (opción)

La versión del instrumento con HART® puede comunicarse con un control (master).

### Escalado del rango de medida (reducción)

Inicio y final del rango de medida pueden ajustarse dentro de dicho rango.

No sobrepasar la reducción de 10:1.

### 2.3 Volumen de suministro

- Sonda de pozo
- Manual de instrucciones
- Informe de prueba
- Señalización del punto de medición para sujetarla al extremo del cable
- Otras certificaciones y certificados (opcional)

Comparar mediante el albarán si se han entregado todas las piezas.

## 3. Seguridad

### 3.1 Explicación de símbolos



#### ¡ADVERTENCIA!

... indica una situación probablemente peligrosa que puede causar la muerte o lesiones graves si no se la evita.



#### ¡CUIDADO!

... indica una situación probablemente peligrosa que puede causar lesiones leves o medianas, o daños materiales y medioambientales, si no se la evita.

## 3. Seguridad



### Información

... destaca consejos y recomendaciones útiles así como informaciones para una utilización eficiente y libre de errores.

### 3.2 Uso conforme a lo previsto

La sonda de pozo sirve para convertir la presión hidrostática en una señal eléctrica.

Utilizar la sonda de pozo únicamente en aplicaciones dentro de sus límites de rendimiento técnicos (por ej. temperatura ambiente máxima, compatibilidad de materiales, ...).

→ Para límites de rendimiento véase el capítulo 9 "Datos técnicos".

Para información sobre el uso en atmósferas explosivas o con medios inflamables se debe consultar la información adicional 14209917.

El instrumento ha sido diseñado y construido únicamente para la finalidad aquí descrita y debe utilizarse en conformidad a la misma.

No se admite ninguna reclamación debido a una utilización no conforme a lo previsto.

### 3.3 Cualificación del personal

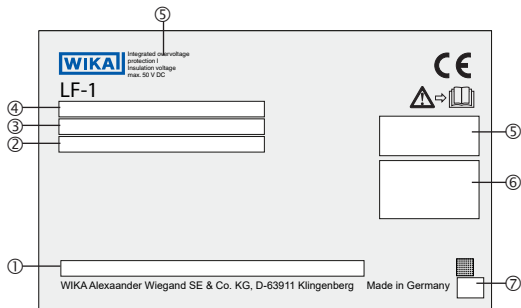
#### Personal especializado

Debido a su formación profesional, a sus conocimientos de la técnica de regulación y medición así como a su experiencia y su conocimiento de las normativas, normas y directivas vigentes en el país de utilización el personal especializado autorizado por el usuario es capaz de ejecutar los trabajos descritos y reconocer posibles peligros por sí solo.

## 3. Seguridad / 4. Transporte, embalaje y almacenamiento

### 3.4 Rótulos, marcajes de seguridad

#### Placa de identificación



- ① Código de modelo
- ② P# Código / S# Número de serie
- ③ Alimentación auxiliar/alimentación de corriente eléctrica total
- ④ Rango de medición/ señal de salida
- ⑤ Homologaciones
- ⑥ Detalles del conexionado
- ⑦ Fecha de fabricación



¡Es absolutamente necesario leer el manual de instrucciones antes del montaje y la puesta en servicio del instrumento!



Corriente continua

## 4. Transporte, embalaje y almacenamiento

### 4.1 Transporte

Comprobar si la sonda de pozo presenta eventuales daños causados en el transporte.

Notificar daños obvios de forma inmediata.

Asegurarse de que los contactos de conexión no estén dañados.

## 4. Transporte, embalaje ... / 5. Puesta en servicio, funcionamiento

### 4.2 Embalaje y almacenamiento

No quitar el embalaje hasta justo antes del montaje.

Guardar el embalaje ya que es la protección ideal durante el transporte (por ejemplo si el lugar de instalación cambia o si se envía el instrumento para posibles reparaciones).

Antes de almacenar la sonda de pozo, limpiarla a fondo (→ véase capítulo 7.3.2 “Limpieza”)

#### Condiciones admisibles en el lugar de almacenamiento:

- Temperatura de almacenamiento: -40 ... +80 °C [-40 ... +176 °F]
- Humedad: 45 ... 75 % de humedad relativa (sin rocío)

#### Evitar lo siguiente:

- Luz solar directa o proximidad a objetos calientes
- Vibración mecánica, impacto mecánico (colocación brusca)
- Hollín, vapor, polvo y gases corrosivos
- Entorno húmedo o mojado
- Entorno potencialmente explosivo, atmósferas inflamables

ES

## 5. Puesta en servicio, funcionamiento

### 5.1 Desembalaje

Al desembalar, no usar objetos cortantes (p. ej. cuchillas), pues podría dañarse el cable.

Las sondas de pozo con longitudes de cable > 100 m están enrolladas en tambores de cable y recubiertas con una película.

Desenrollar la película manualmente. El inicio de la película está marcado con una cinta adhesiva azul.

### 5.2 Idoneidad para las condiciones del proceso

Todas las partes del dispositivo incluidas en el proceso deben ser adecuadas para las condiciones existentes en dicho proceso. Éstas incluyen, en particular, la presión y la temperatura del proceso, así como las propiedades químicas de los medios. Antes de la puesta en servicio, debe asegurarse la idoneidad del dispositivo (→ para datos técnicos, véase capítulo 9 “Datos técnicos” y “Placa de características”).

## 5. Puesta en servicio, funcionamiento

### 5.3 Exigencias referentes al lugar de montaje

El lugar de montaje debe cumplir con las condiciones siguientes:

- La membrana está protegida contra el contacto con medios abrasivos y contra golpes.
- El cable contiene un capilar para la compensación de presión. Por tal motivo, el cable debe estar conectado en una habitación seca o en una caja de terminales adecuada.
- Suficiente espacio para una instalación eléctrica.
- Las temperaturas ambiente y del medio admisibles se mantienen dentro de los límites de rendimiento.  
→ Para límites de rendimiento véase el capítulo 9 "Datos técnicos".

### 5.4 Conexión del instrumento

#### 5.4.1 Exigencias referentes a la alimentación de corriente

→ Alimentación auxiliar véase la placa de identificación

#### 5.4.2 Exigencias referentes a la conexión eléctrica

- El diámetro del cable está adaptado a la entrada de cable de la caja de terminales.
- El prensaestopas y las juntas están posicionados correctamente.
- No puede penetrar humedad en el extremo del cable.

#### 5.4.3 Exigencias referentes al blindaje y a la puesta a tierra

La sonda de pozo debe ser blindada y puesta a tierra conforme al concepto de puesta a tierra de la instalación.

## 5. Puesta en servicio, funcionamiento

### 5.4.4 Montar la marcación del punto de medición

Antes de cablear la sonda de pozo, debe colocarse en el cable la marcación del punto de medición. La señalación del punto de medición es para identificación cuando el dispositivo está sumergido y contiene una copia de la placa de características.

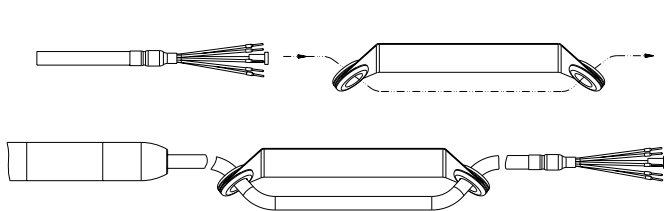
1. Retirar el embalaje del extremo del cable.



2. Adherir al cable la marcación del punto de medición.

Los tapones de goma en la marcación del punto de medición protegen el cable y deben estar intactos y correctamente montados.

Colocar la marcación del punto de medición de manera que sea fácilmente accesible cuando esté montada y protegida de las duras condiciones ambientales.



### 5.4.5 Acortar el cable

El cable puede acortarse según necesidad.

En sondas de pozo con salida de tensión tiene como consecuencia un error de desplazamiento:

≤ 0,014 %/m de cable acortado.

Tras el acortamiento, colocar en los extremos de los cables las virolas de cable y el elemento filtrante en la tubería de ventilación.

## 5. Puesta en servicio, funcionamiento

### 5.4.6 Conexión eléctrica del instrumento

- ▶ Conectar los cables a los bornes.
- ▶ Para salidas de tensión la carga debe estar dimensionada de tal manera que la corriente de salida no supere 1 mA.

#### Carga

Salida de corriente  $\leq (U_+ - (U_{+min} - 0,5 V))/0,023 A$

Salida de tensión:  $\leq 1 mA$

Carga adicional del cable:

$\leq$  longitud del cable en m x 0,084  $\Omega$

ES

#### Detalles del conexionado

##### 4 ... 20 mA, 4 ... 20 mA + HART® (2 hilos)

**U+** Marrón (BN)

**U-** Azul (BU)

**Blindaje** Gris (GY)

##### 2 x 4 ... 20 mA (2 x 2 hilos, separados galvánicamente)

**U+ (sensor de presión)** Marrón (BN)

**U- (sensor de presión)** Azul (BU)

**U+ (sensor de temperatura)** Verde (GN)

**U- (sensor de temperatura)** Blanco (WH)

**Blindaje** Gris (GY)

##### DC 0,1 ... 2,5 V (3 hilos, baja potencia)

**U+** Marrón (BN)

**U-** Azul (BU)

**S+** Negro (BK)

**Blindaje** Gris (GY)



## 5. Puesta en servicio, funcionamiento

### 2 x DC 0,1 ... 2,5 V (3 hilos, baja potencia)

<b>U+</b>	Marrón (BN)
<b>U-</b>	Azul (BU)
<b>S+ (sensor de presión)</b>	Negro (BK)
<b>S+ (sensor de temperatura)</b>	Verde (GN)
<b>Blindaje</b>	Gris (GY)

#### Leyenda

U+ alimentación positiva

U- alimentación negativa

S+ salida analógica

#### 5.4.7 Montaje del instrumento

Comprobar la sonda de pozo visualmente antes de utilizarla.

- Si el líquido se derrama es probable que la membrana esté dañada.
- Utilizar la sonda de pozo sólo si encuentra en condiciones de funcionamiento absolutamente seguras.

La tapa protectora protege la membrana interna contra daños durante el transporte y al bajar la sonda. Para medios viscosos o contaminados se puede quitar la tapa protectora para garantizar un funcionamiento sin problemas.

Al tender el cable, se debe observar un radio de curvatura mínimo de 120 mm.

#### 5.5 Configurar mediante interfaz HART®

El módem HART® con interfaz RS232, USB o Bluetooth (→ ver accesorios) permite la conexión de dispositivos con capacidad de comunicación a la interfaz respectiva de un ordenador. Para parametrizar estos dispositivos, se requiere un software operativo con COMM DTM HART® y Device DTM Generic HART® (p. ej., PACTware®).



El software operativo PACTware® y los DTM requeridos están disponibles para su descarga en [www.wika.de](http://www.wika.de).

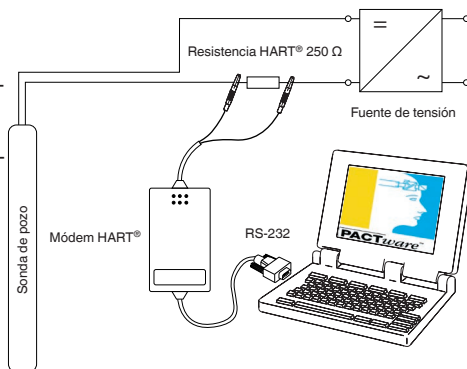
## 5. Puesta en servicio, funcionamiento / 6. Errores

### Conectar la sonda de pozo con el ordenador (HART®)

Efectuar todos los trabajos únicamente en zona no Ex.

1. Conectar el módem HART® con la sonda de pozo.
2. Conectar el módem HART® con el ordenador o un ordenador portátil.

Para fuentes de alimentación con resistencia HART® integrada (resistencia interna de aproximadamente 250  $\Omega$ ) no es necesaria una resistencia externa adicional.



### 5.6 Unidades de visualización y mando externas

Las unidades de visualización y mando DIH50 y DIH52 son adecuadas para visualizar lecturas y manejar dispositivos con protocolo HART®. La unidad de mando respectiva se conecta a la línea de señal de 4 ... 20 mA + HART®. En sensores sin protocolo HART®, las unidades de mando son adecuadas para mostrar las lecturas.

→ Para obtener más información, consulte los manuales de instrucciones de la respectiva unidad de visualización y mando.

## 6. Errores



### ¡CUIDADO!

#### Lesiones corporales, daños materiales y del medio ambiente

Si no se pueden solucionar los fallos mencionados aplicando las medidas indicadas, se debe poner la sonda de pozo inmediatamente fuera de servicio.

- ▶ Asegurar que el dispositivo no queda expuesto a presión o una señal y protegerlo contra usos accidentales.
- ▶ Contactar con el fabricante.
- ▶ Si desea devolver el instrumento, observar las indicaciones en el capítulo 8.2 "Devolución".

## 6. Errores



### ¡ADVERTENCIA!

#### Lesiones corporales, daños materiales y del medio ambiente causados por medios peligrosos

En caso de contacto con medios peligrosos (p. ej. oxígeno, acetileno, inflamables o tóxicos) medios nocivos para la salud (p. ej. corrosivas, tóxicas, cancerígenas radioactivas) y con sistemas de refrigeración o compresores existe el peligro de lesiones corporales, daños materiales y del medio ambiente.

- ▶ En caso de fallo es posible que haya medios agresivos con temperaturas extremas o de bajo presión o que haya un vacío en el instrumento.
- ▶ Con estos medios deben observarse en cada caso, además de todas las reglas generales, las disposiciones pertinentes.
- ▶ Utilizar el equipo de protección necesario.



Datos de contacto ver capítulo 1 "Información general" o parte posterior del manual de instrucciones.

En caso de averías, verificar en primer lugar la conexión mecánica y eléctrica de la sonda de pozo.

En caso de reclamación injustificada se facturarán los costes de tramitación.

Errores	Causas	Medidas
<b>Ninguna señal de salida</b>	Cable roto	Comprobar el paso
	Se aplicó alimentación auxiliar no permitida	Corregir la corriente auxiliar
<b>Desviación de señal de punto cero</b>	Límite de presión de sobrecarga excedido	Observar el límite de presión de sobrecarga permitido
	Temperatura de utilización demasiado alta/baja	Observar las temperaturas admisibles
	Daños en la membrana	Sustituir el instrumento; consultar al fabricante si falla repetidas veces
<b>Punto cero oscilante/impreciso</b>	Penetró humedad en el extremo del cable	Montar correctamente el cable
	Cable dañado	Sustituir el instrumento; consultar al fabricante si falla repetidas veces

## 6. Errores

Errores	Causas	Medidas
Span de señal oscilante/impreciso	Temperatura de utilización demasiado alta/baja	Observar las temperaturas admisibles
Span de señal cae/insuficiente	Sobrecarga mecánica por sobrepresión	Sustituir el instrumento; consultar al fabricante si falla repetidas veces
	Daños en la membrana	Sustituir el instrumento; consultar al fabricante si falla repetidas veces
Alcance de señal se cae	Penetró humedad en el extremo del cable	Montar correctamente el cable
	Cable dañado	Sustituir el instrumento; consultar al fabricante si falla repetidas veces

ES

## 7. Mantenimiento y limpieza

### 7.1 Mantenimiento

Cuando se usa en medios con elevada contaminación y con sustancias adherentes, el canal de presión de la sonda de pozo debe limpiarse regularmente. El intervalo de limpieza depende de la respectiva aplicación. Por tal motivo, la inspección y limpieza del canal de presión debe incluirse en el programa de mantenimiento.

Como los intervalos de limpieza dependen de las condiciones de operación, no se pueden especificar plazos generales.

Todas las reparaciones solamente las debe efectuar el fabricante.

### 7.2 Limpieza



#### ¡ADVERTENCIA!

#### Lesiones corporales, daños materiales y del medio ambiente por medios residuales

Medios residuales en el instrumento desmontado pueden causar riesgos para personas, medio ambiente e instalación.

- ▶ En caso de sustancias peligrosas, seguir las indicaciones de la ficha de datos de seguridad correspondiente al medio.
- ▶ Utilizar el equipo de protección necesario.

## 7. Mantenimiento y limpieza / 8. Desmontaje, devolución ...



### ¡CUIDADO!

#### Productos de limpieza inadecuados

Una limpieza con productos de limpieza inadecuados puede dañar el instrumento y la placa de identificación.

- ▶ No utilizar productos de limpieza agresivos.
- ▶ No utilizar ningún objeto puntiagudo o duro.
- ▶ No utilizar trapos o esponjas que podrían restregar.

#### Productos de limpieza adecuados

- Agua
- Detergente lavavajillas habitual

#### Limpiar el dispositivo

1. Apagar la sonda de pozo.
2. Limpiar la superficie del instrumento con un trapo suave y húmedo.

## 8. Desmontaje, devolución y eliminación de residuos

### 8.1 Desmontaje



### ¡ADVERTENCIA!

#### Lesiones corporales, daños materiales y del medio ambiente causados por medios peligrosos

En caso de contacto con medios peligrosos (p. ej. oxígeno, acetileno, inflamables o tóxicos) medios nocivos para la salud (p. ej. corrosivas, tóxicas, cancerígenas radioactivas) y con sistemas de refrigeración o compresores existe el peligro de lesiones corporales, daños materiales y del medio ambiente.

- ▶ En caso de fallo es posible que haya medios agresivos con temperaturas extremas o de bajo presión o que haya un vacío en el instrumento.
- ▶ Utilizar el equipo de protección necesario.

#### Desmontaje del instrumento

1. Apagar la sonda de pozo.
2. Desconectar la conexión eléctrica.
3. Extraer la sonda del medio.

## 8. Desmontaje, devolución y eliminación de residuos

### 8.2 Devolución

#### Es imprescindible observar lo siguiente para el envío del instrumento:

Todos los instrumentos enviados a WIKA deben estar libres de sustancias peligrosas (ácidos, lejías, soluciones, etc.) y, por lo tanto, deben limpiarse antes de devolver.



#### ¡ADVERTENCIA!

#### Lesiones corporales, daños materiales y del medio ambiente por medios residuales

Medios residuales en el instrumento desmontado pueden causar riesgos para personas, medio ambiente e instalación.

- ▶ En caso de sustancias peligrosas adjuntar la ficha de datos de seguridad correspondiente al medio.
- ▶ Limpiar el dispositivo, consultar el capítulo 7.2 “Limpieza”.

Utilizar el embalaje original o un embalaje adecuado para la devolución del instrumento.



Comentarios sobre el procedimiento de las devoluciones encuentra en el apartado “Servicio” en nuestra página web local.

### 8.3 Eliminación de residuos

Una eliminación incorrecta puede provocar peligros para el medio ambiente.

Eliminar los componentes de los instrumentos y los materiales de embalaje conforme a los reglamentos relativos al tratamiento de residuos y eliminación vigentes en el país de utilización.



Non smaltire insieme ai rifiuti domestici. Garantire uno smaltimento corretto secondo le prescrizioni nazionali.

## 9. Datos técnicos

## 9. Datos técnicos

### Datos técnicos

**Rangos de medida** Véase placa de identificación

**Límite de presión de sobrecarga**  $\geq 1,5$  veces

**Medición de temperatura (opcional)** Véase placa de identificación

**Señal de salida** Véase placa de identificación

### Carga

Salida de corriente  $\leq (U_+ - (U_{+min} - 0,5 V))/0,023 A$

Salida de tensión  $\leq 1$  mA

Carga adicional del cable  $\leq$  longitud del cable en m x 0,084  $\Omega$

Para salidas de tensión la carga debe estar dimensionada de tal manera que la corriente de salida no supere 1 mA.

**Alimentación auxiliar** Véase placa de identificación

### Consumo de electricidad

Salida de corriente Máx. 25 mA por salida

Salida de tensión Máx. 5 mA

**Exactitud (sensor de presión)  
(en condiciones de referencia)**

- $\leq \pm 1$  % del span
- $\leq \pm 0,5$  % del span (opción)

### Exactitud (sensor de temperatura)

-10 ... +80 °C [14 ... 176 °F]  $\pm 1,8$  K

-30 ... -10 °C [-22 ... +14 °F]  $\pm 3$  K

-40 ... -30 °C [-40 ... -22 °F]  $\pm 4,5$  K

**Exactitud con Turndown 5:1 vía HART®**

- $\leq \pm 1,25$  % del span escalado
- $\leq \pm 0,75$  % del span escalado (opción)

**No linealidad según IEC 61298-2**

- $\leq \pm 0,5$  % del span BFSL
- $\leq \pm 0,25$  % del span BFSL (opción)

**No repetibilidad**

- $\leq 0,1$  % del span
- $\leq 0,1$  % del span (con salida de tensión y longitud de cable > 100 m [325 ft])

**Error de temperatura** Véase la tabla "Errores de temperatura"

ES

## 9. Datos técnicos

### Datos técnicos

#### Estabilidad a largo plazo según DIN 16086

Rango de medición > 0 ... 0,1 bar	≤ 0,1 % del span/año
Rango de medición ≤ 0 ... 0,1 bar	≤ 0,2 % del span/año

#### Condiciones de referencia

Temperatura ambiente	15 ... 25 °C [59 ... 77 °F]	
Presión atmosférica	860 ... 1.060 mbar [86 ... 106 kPa / 12,5 ... 15,4 psig]	
Humedad atmosférica	45 ... 75 % h.r.	
Alimentación auxiliar <sup>1)</sup>	Con salida de corriente	DC 24 V
	Con salida de tensión	DC 5 V
Posición de montaje	Calibrado en posición vertical con la rosca de la tapa protectora hacia abajo.	

**Tipo de protección** IP68

**Tensión de aislamiento**

- DC 850 V
- Con elevada protección frente a sobretensión en caso de rayo: DC 50 V

**Resistencia a sobretensiones** DC 40 V

**Protección contra inversión de polaridad** U+ contra U-

**Resistencia contra cortocircuitos** S+ contra U-

**Profundidad de inmersión** Máx. 100 m [325 ft]

**Fuerza de tracción máx. del cable** 1.000 N

#### Peso

Sonda de pozo	Aprox. 300 g
Cable	Aprox. 80 g/m
Peso adicional	300 g

1) Con sondas de pozo para aplicaciones generales conforme a CSA se debe usar una alimentación certificada según CEC o NEC "Clase 2" o alternativamente una alimentación certificada con potencia limitada según CSA C22.2 N.º60950 -1/ UL 60950-1.



## 9. Datos técnicos

### Datos técnicos

#### Rangos de temperatura admisibles

Medio	■ -10 ... +50 °C [14 ... 122 °F] ■ (Option: -40 ... +80 °C [-40 ... +176°F])
Ambiente	-40 ... +80 °C [-40 ... +176°F]
Almacenamiento	-30 ... +80 °C [-22 ... +176°F]

#### Tiempo de arranque

Señales de salida sin HART®	≤ 150 ms
Señales de salida con HART®	≤ 250 ms

#### Tiempo de respuesta

Señales de salida sin HART®	≤ 100 ms
Señales de salida con HART®	≤ 250 ms

#### Partes en contacto con el medio

Caja	316L (opción de alta resistencia: 316LN)
Sensor	316L (opción de alta resistencia: Hastelloy C276)
Cable	PUR (opción de alta resistencia: FEP)
Junta	FKM
Tapa protectora	PVDF
<b>Conformidad CE</b>	Directiva CEM, Emisión (grupo 1, clase B) y resistencia a interferencias (ámbito industrial)

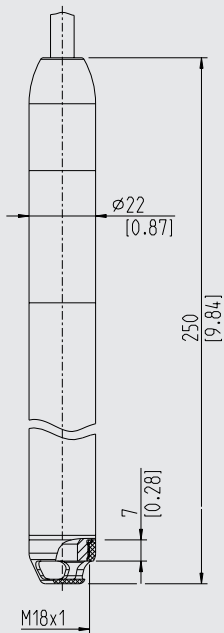
Para más datos técnicos consulte la hoja técnica de WIKA LM 40.04 y la documentación de pedido.

## 9. Datos técnicos

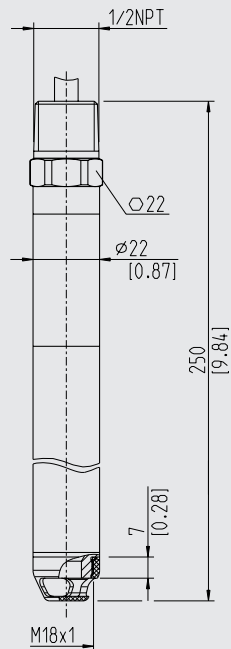
### Dimensiones en mm [in]

ES

Salida de cable sin Conduit



Salida de cable con Conduit





WIKA subsidiaries worldwide can be found online at [www.wika.com](http://www.wika.com).  
WIKA-Niederlassungen weltweit finden Sie online unter [www.wika.de](http://www.wika.de).  
La liste des filiales WIKA dans le monde se trouve sur [www.wika.fr](http://www.wika.fr).  
La lista de las sucursales WIKA en el mundo puede consultarse en [www.wika.es](http://www.wika.es).



**Importer for UK**  
**WIKA Instruments Ltd**  
Unit 6 and 7 Goya Business park  
The Moor Road  
Sevenoaks  
Kent  
TN14 5GY



**WIKAL Alexander Wiegand SE & Co. KG**  
Alexander-Wiegand-Straße 30  
63911 Klingenberg • Germany  
Tel. +49 9372 132-0  
[info@wika.de](mailto:info@wika.de)  
[www.wika.de](http://www.wika.de)